

0CV10-M74600EN

PREFACE

1. This Parts Catalog carries all parts incorporated in YANMAR Model 3TNE74 - MG engine manufactured since March, 2000.
2. Each illustration corresponds to the parts list on the following page.
3. When ordering parts, clearly write down the engine model and serial number, as well as the name and number of each part in your order sheet. This will help insure reliable delivery of the parts you have ordered.

Directions for the Parts Catalog.

1. This Parts Catalog shows both standard and optional parts.
2. Parts may change without prior notice.
3. The following is an example of the Parts Catalog format.

REF.	LEV.	PARTS NO.	DESCRIPTION	Q'TY						I	R
				(A)	(B)	(C)	(D)	(E)	(F)		
1	1	729595-51390	FUEL INJECTION PUMP	1	1	1	1	1			1
1-1	1	729595-51391	FUEL INJECTION PUMP	1	1	1	1	1		N	1
		(A=E00185) (B=E00200)									
3	2	26022-060162	SCREW M 6X 16	9	9	9	9	9			
3-1	2	26022-060162	SCREW M 6X 16	4	4	4	4	4		K	
		(A=E00156) (B=E00156) (C=E00156) (D=E00156) (E=E00156)									
4	2	129470-51040	CAMSHAFT	1	1	1	1	1			
5	2	122710-51050	BEARING, ROLLER	2	2	2	2	2			
6	2	129470-51060	RETAINER	1	1	1	1	1			

Remarks
(1) BOOST COMPEMSATOR TYPE. OPTIONAL PART, TO E00155,(4JH-DT, 4JH-DTZ

① Ref. No.

The Ref. No. listed may not be in accordance with the illustration Ref. No.

(Ex.) Illustration No.

List Ref No.

1

1

(Before change)

1-1

(After change)

For interchangeable symbols N, R and K, illustrations for new parts may be abbreviated.

② Lev. (Level)

Level indication

The numbers below indicate the level of relativity towards the main part.

1 ----- Main parts (Assembly parts)

2 ----- Sub component included in " 1 ".

3 ----- Sub component included in " 2 ".

Note) Parts that are not for sale are partially illustrated but not listed.

③ Interchangeability Symbol

When a part change takes place, one of the following interchangeability symbols is indicated beside the part.

Symbol	Interchangeability	Contents note
N	Old $\begin{matrix} \leftarrow \text{Yes} \\ \text{No} \rightarrow \end{matrix}$ New	New Part is interchangeable for Old Part but Old Part is not interchangeable for New Part.
Q	Old $\begin{matrix} \leftarrow \text{No} \\ \text{Yes} \rightarrow \end{matrix}$ New	New Part is not interchangeable for Old Part but Old Part is interchangeable for New Part.
R	Old $\begin{matrix} \leftarrow \text{Yes} \\ \text{Yes} \rightarrow \end{matrix}$ New	New/ Old Parts are both interchangeable.
S	Old $\begin{matrix} \leftarrow \text{No} \\ \text{No} \rightarrow \end{matrix}$ New	New/ Old Parts are both not interchangeable.
W		Part newly added.
Z		Part discontinued.
F		Not interchangeable by a single part but interchangeable together with related parts.
K		Changes only for used parts quantities.

④ Effective Machine No.

When a part changes, the effective Machine No. will be indicated in the (A)-(F) column.

Product Symbol	Product No.	Product Symbol	Product No.
C	Clutch No. Compressor No.	F	Machine No. (Agricultural Equip.)
D	Drive No.	M	Machine No.
E	Engine No.		

Note 1) A date may follow the symbol. (Ex.) 1996.01

Note 2) "XXXXX" and "ZZZZZ" are for parts that could not be predicted or for engine models that could not be identified.

Note 3) (A=E00185) is the E (Engine Serial Number) for the column (A) model (in this case 4JH-DT) after the parts design change.

⑤ Remarks

Figures or alphabets (symbols) are entered in the remarks column.

The comments (remarks) on parts that are indicated at the bottom of the illustration are the same symbols as those stated above.

Contents

Fig. No. Fig. Name

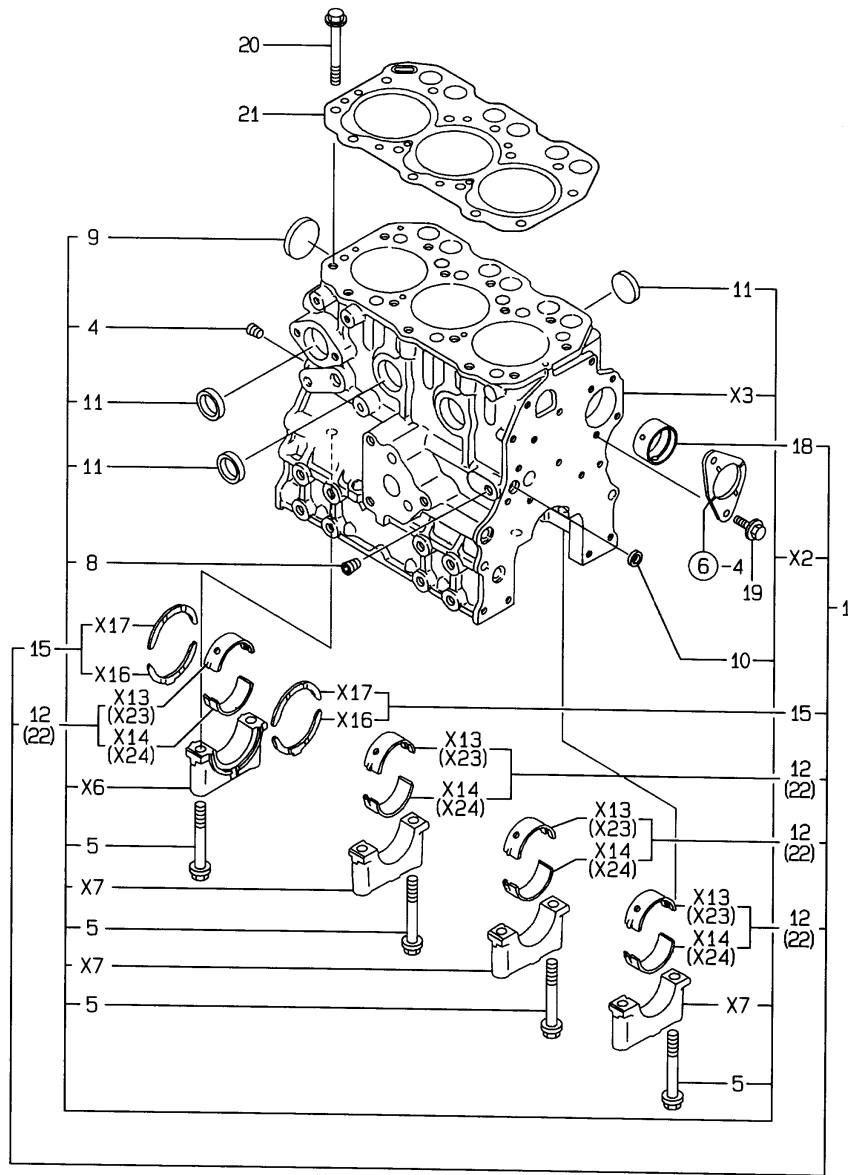
3TNE74-MG (MASE)

1. CYLINDER BLOCK
2. GEAR HOUSING
3. MOUNTING FLANGE & OIL SUMP
4. CYLINDER HEAD & BONNET
5. SUCTION MANIFOLD
6. CAMSHAFT & DRIVING GEAR
7. CRANKSHAFT & PISTON
8. LUB.OIL SYSTEM
9. COOLING WATER SYSTEM
10. FUEL INJECTION PUMP
11. GOVERNOR
12. FUEL INJECTION VALVE
13. FUEL LINE
14. STARTING MOTOR
15. GENERATOR
16. GASKET SET

Fig. No. Fig. Name

Fig.1. CYLINDER BLOCK

1.CYLINDER BLOCK



(A)=3TNE74-MG

(B)=

(C)=

(D)=

(E)=

(F)=

No.	Lev.	Parts No.	Description	Q'ty						I	R
				(A)	(B)	(C)	(D)	(E)	(F)		
1	1	719623-01560	BLOCK ASSY, CYLINDER	1							
4	3	119600-01050	PLUG, PT1/4	1							
5	3	119620-02020	BOLT, METAL CAP	8							
8	3	23876-010000	PLUG, R01	1							
9	3	119623-01250	PLUG, 45	1							
10	3	27241-120000	PLUG, 12	1							
11	3	27241-300000	PLUG 30	6							
12	2	719620-02800	BEARING, MAIN	4							
15	2	719620-02930	BEARING, THRUST	2							
18	2	119624-02410	BUSH	1							
19	1	26106-060122	BOLT, M6X 12 PLATED	2							
20	1	119620-01200	BOLT, HEAD	14							
21	1	119623-01340	GASKET, HEAD	1							
22	1	719620-02870	BEARING, 0.25 US	4							1

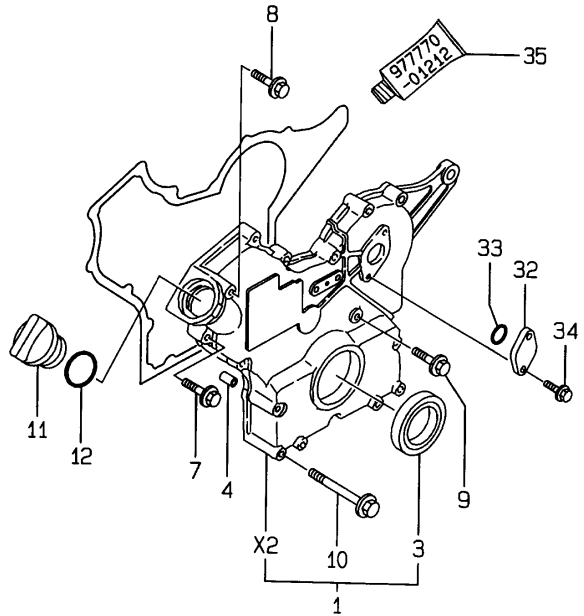
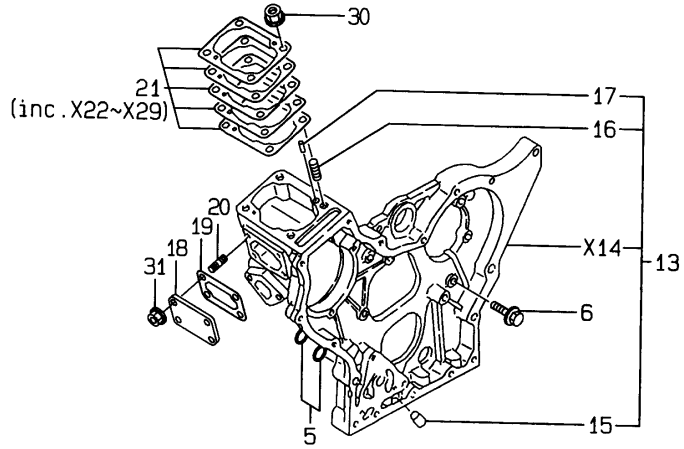
Remarks

(1)UNDER-SIZE(U.S=0.25)PART.

N:Old $\xrightarrow{\text{Yes}}$ New, Q:Old $\xrightarrow{\text{No}}$ New, R:Old $\xrightarrow{\text{Yes}}$ New, S:Old $\xrightarrow{\text{No}}$ New, W:Add, Z:Discontinued, F:Interchangeable by set, K:Q'ty Change

Fig.2. GEAR HOUSING

2.GEAR HOUSING



(A)=3TNE74-MG

(B)=

(C)=

(D)=

(E)=

(F)=

No.	Lev.	Parts No.	Description	Q'ty						I	R
				(A)	(B)	(C)	(D)	(E)	(F)		
1	1	119610-01590	COVER ASSY,GEAR CASE	1							
3	2	119620-01800	SEAL, OIL	1							
4	1	119660-01911	PIPE, KNOCK	4							
5	1	119624-32040	O-RING, P12.0	2							
6	1	26106-060162	BOLT, M6X 16 PLATED	7							
7	1	26106-060302	BOLT, M6X 30 PLATED	8							
8	1	26106-060602	BOLT, M6X 60 PLATED	1							
9	1	26106-060602	BOLT, M6X 60 PLATED	3							
10	1	26106-060802	BOLT, M6X 80 PLATED	6							
11	1	124160-01751	COVER, FILLER	1							
12	1	24311-000320	O-RING, 1AP32.0	1							
13	1	119610-01490	CASE ASSY, GEAR	1							
15	2	119660-01510	PLUG, 10X14	1							
16	2	121450-01560	STUD, M8X22	4							
17	2	22351-040010	PIN, SPRING 4.0X10	2							
18	1	119660-01551	COVER	1							
19	1	119660-01562	GASKET	1							
20	1	119660-01570	STUD, M6X12	4							
21	1	119623-01950	SHIM SET, ADJUSTING	1							
30	1	194990-22050	NUT, M8	4							
31	1	26366-060002	NUT, M6	4							
32	1	121023-01550	COVER	1							
33	1	24341-000240	O-RING, 1AS24.0	1							
34	1	26106-060162	BOLT, M6X 16 PLATED	2							
35	1	977770-01212	GASKET, LIQUID	1							1

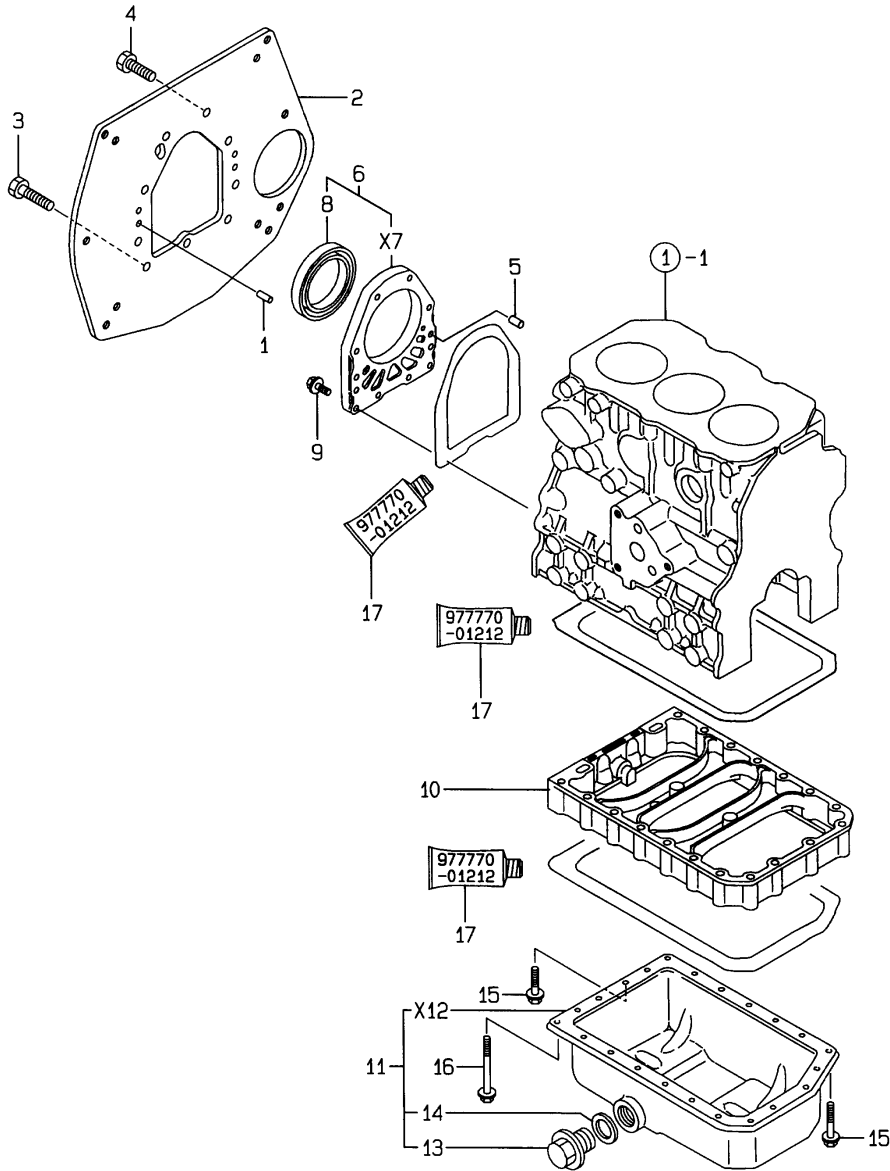
Remarks

(1) OPTIONAL PART.

N:Old $\xrightarrow{\text{Yes}}$ New, Q:Old $\xrightarrow{\text{No}}$ New, R:Old $\xrightarrow{\text{Yes}}$ New, S:Old $\xrightarrow{\text{No}}$ New, W:Add, Z:Discontinued, F:Interchangeable by set, K:Q'ty Change

Fig.3. MOUNTING FLANGE & OIL SUMP

3.MOUNTING FLANGE & OIL SUMP



(A)=3TNE74-MG

(B)=

(C)=

(D)=

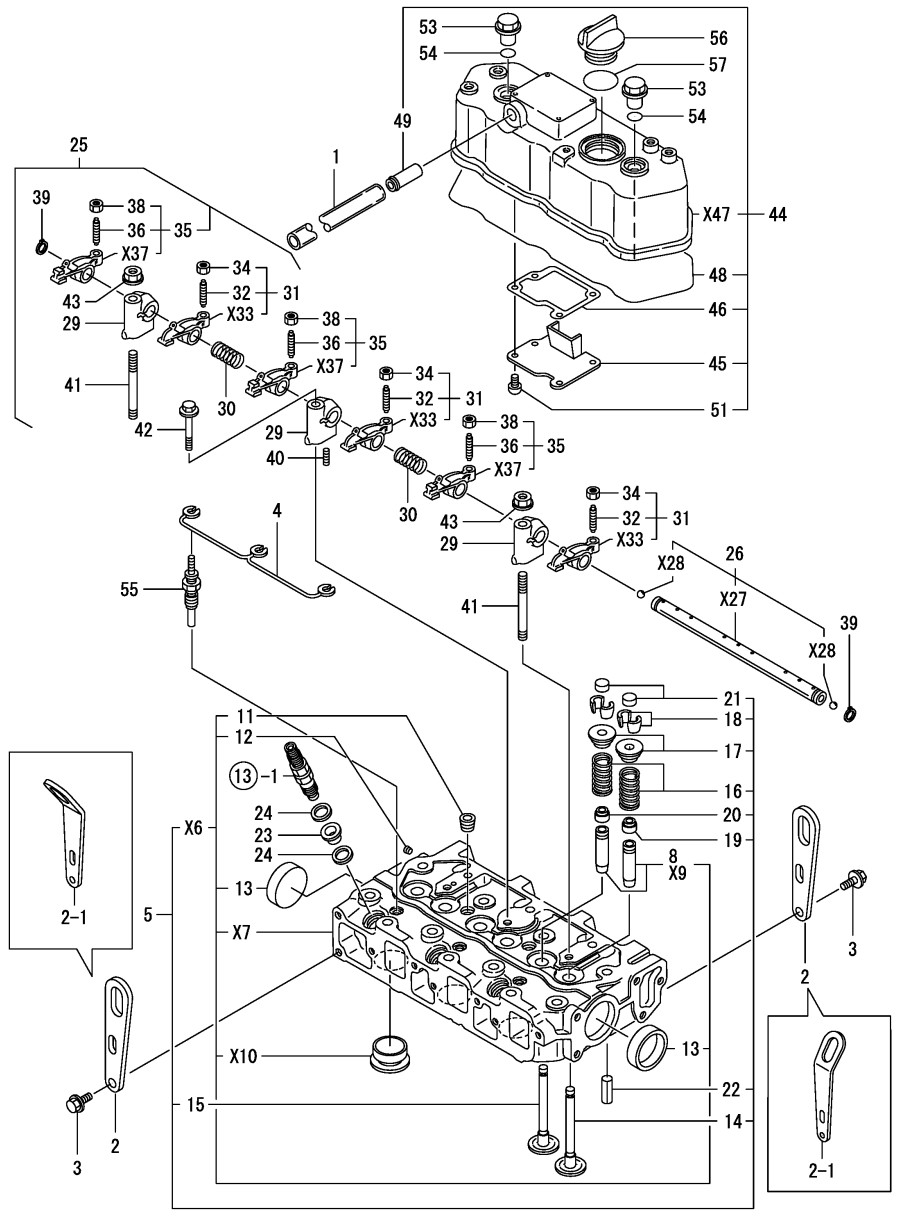
(E)=

(F)=

No.	Lev.	Parts No.	Description	Q'ty						I	R
				(A)	(B)	(C)	(D)	(E)	(F)		
1	1	129100-01580	PIN, M8X16	2							
2	1	119312-01600	FLANGE, MOUNTING	1							
3	1	26206-100202	BOLT, M10X 20 PLATED	6							
4	1	26206-100252	BOLT, M10X 25 PLATED	3							
5	1	119620-01620	PIN, M6X10	2							
6	1	119660-01640	CASE ASSY, OIL SEAL	1							
8	2	124085-02220	SEAL, OIL	1							
9	1	26106-060222	BOLT, M6X 22 PLATED	10							
10	1	119600-01722	SPACER, OIL SUMP	1							
11	1	719631-01540	SUMP ASSY, OIL	1							
13	2	119640-01640	PLUG, DRAIN M22	1							
14	2	22190-220002	WASHER, SEAL 22	1							
15	1	26106-060122	BOLT, M6X 12 PLATED	3							
16	1	26106-060452	BOLT, M6X 45 PLATED	20							
17	1	977770-01212	GASKET, LIQUID	1							1

Remarks
(1) OPTIONAL PART.

Fig.4. CYLINDER HEAD & BONNET



X-MARK PARTS: NOT SOLD SEPARATELY.

Remarks
(1) REPAIR PART.

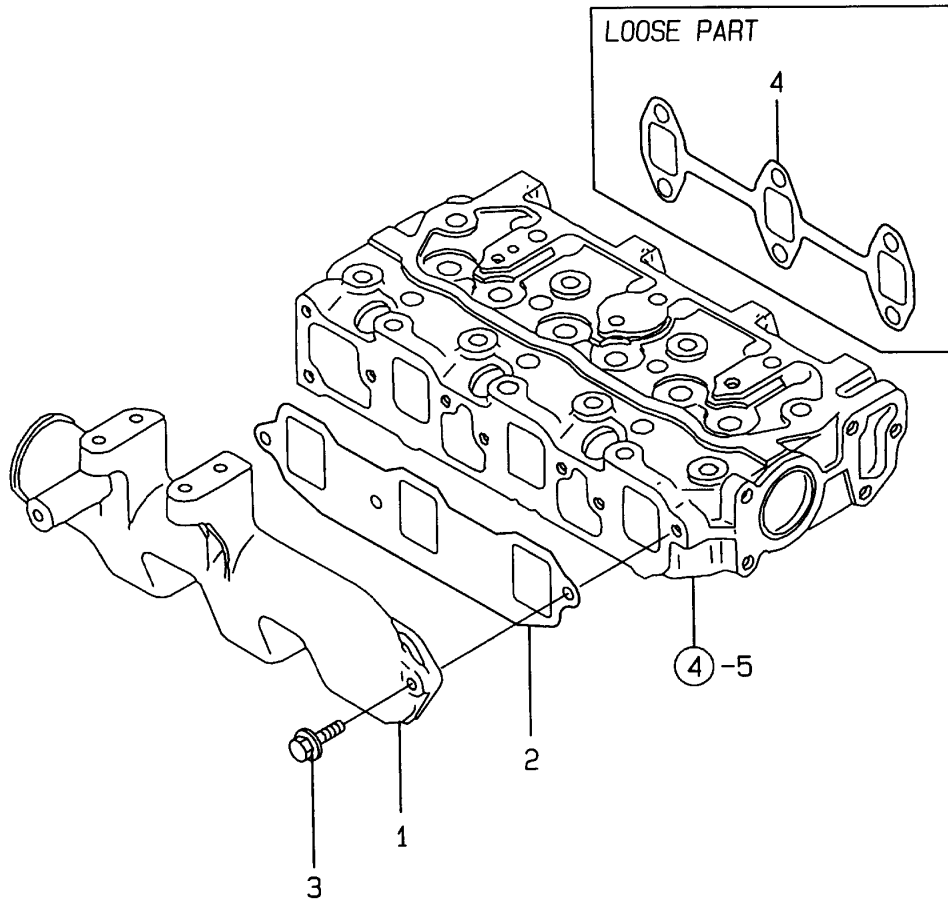
(A)=3TNE74-MG
(B)=
(C)=

(D)=
(E)=
(F)=

No.	Lev.	Parts No.	Description	Q'ty						I	R
				(A)	(B)	(C)	(D)	(E)	(F)		
1	1	23065-120500	PIPE, 12X 500	1							
2	1	124736-07900	LIFTER	2							
2-1	1	119266-07900	LIFTER	2							N
(A=EXXXXX)											
3	1	26106-080142	BOLT, M8X 14 PLATED	4							
4	1	119620-77820	CONNECTOR, GLOW PLUG	1							
5	1	719623-11700	HEAD ASSY, CYLINDER	1							
8	3	119620-11801	GUIDE, VALVE	6							1
11	3	23876-020000	PLUG, R02	2							
12	3	27221-050080	PLUG, 5X 8	1							
13	3	27241-400000	PLUG, 40	2							
14	2	119623-11100	VALVE, INTAKE	3							
15	2	119620-11110	VALVE, EXHAUST	3							
16	2	119620-11120	SPRING, VALVE	6							
17	2	119620-11180	RETAINER, SPRING	6							
18	2	27310-070001	COTTER, 7	6							
19	2	124160-11340	SEAL, VALVE STEM	3							
20	2	124950-11340	SEAL, VALVE STEM	3							
21	2	104211-11370	CAP, VALVE	6							
22	2	22351-060012	PIN, SPRING 6.0X12	2							
23	1	119600-11450	PROTECTOR, NOZZLE	3							
24	1	119600-11460	GASKET, NOZZLE	6							
25	1	119789-11200	SUPPORT ASSY, ARM	1							
26	2	119620-11240	SHAFT ASSY, ROCKER	1							
29	2	119620-11260	SUPPORT, ROCKER ARM	3							
30	2	119620-11280	SPRING	2							
31	2	719789-11650	ARM ASSY, ROCKER	3							
32	3	105010-11230	SCREW, VALVE ADJUST	3							
34	3	26756-060002	NUT, LOCK M6	3							
35	2	719789-11660	ARM ASSY, ROCKER	3							
36	3	105010-11230	SCREW, VALVE ADJUST	3							
38	3	26756-060002	NUT, LOCK M6	3							
39	2	22242-000120	RING, 12	2							
40	2	26979-050162	SCREW, M5X16	1							
41	1	119620-11350	STUD	2							
42	1	26106-080452	BOLT, M8X 45 PLATED	1							
43	1	26366-080002	NUT, M8	2							
44	1	719620-11521	BONNET ASSY, HEAD	1							
45	2	119620-03020	PLATE, SHELTER	1							
46	2	119620-03031	GASKET	1							
48	2	119620-11310	GASKET, BONNET	1							
49	2	118400-03060	JOINT, BREATHER	1							
51	2	22857-500100	SCREW, 5X10	4							
53	1	124160-11360	KNOB	2							
54	1	24311-000120	O-RING, 1AP12.0	2							
55	1	129795-77800	PLUG, GLOW	3							
56	1	124160-01751	COVER, FILLER	1							
57	1	24311-000320	O-RING, 1AP32.0	1							

Fig.5. SUCTION MANIFOLD

5.SUCTION MANIFOLD & AIR CLEANER



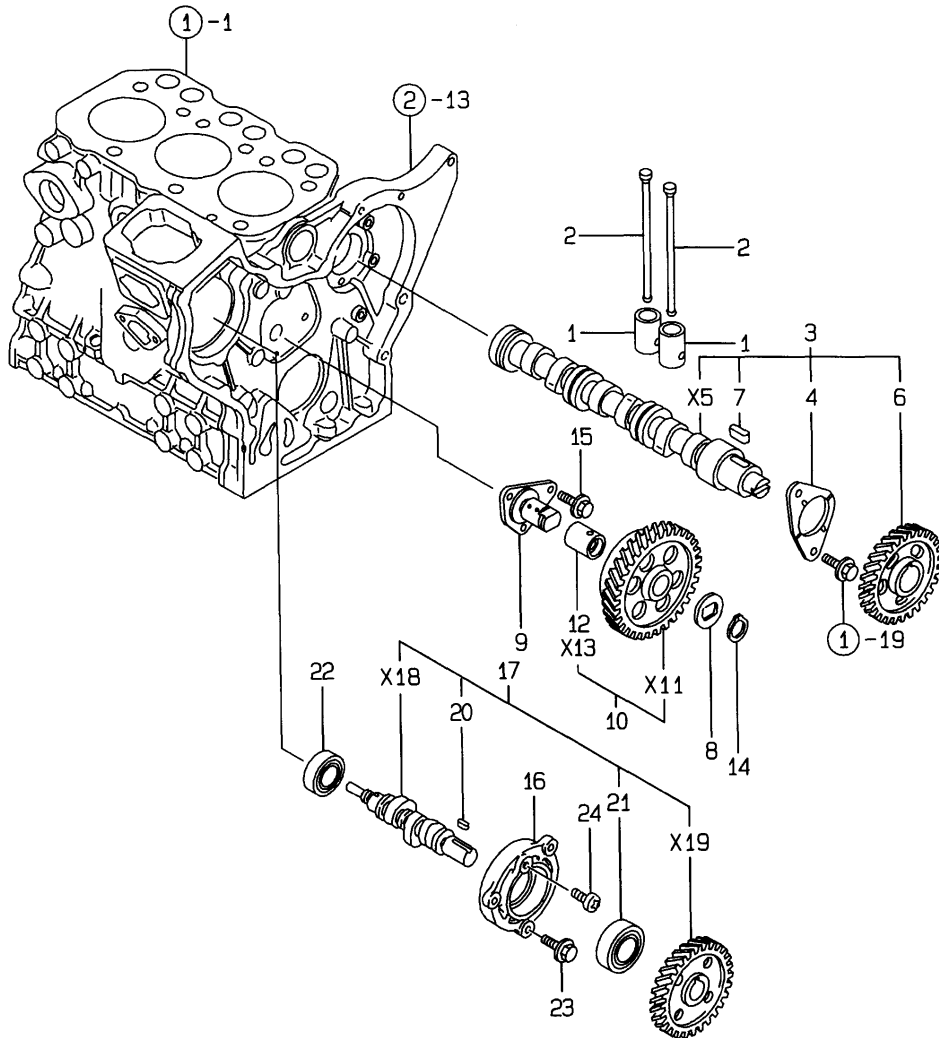
(A)=3TNE74-MG
(B)=
(C)=

(D)=
(E)=
(F)=

No.	Lev.	Parts No.	Description	Q'ty						I	R
				(A)	(B)	(C)	(D)	(E)	(F)		
1	1	119645-12100	MANIFOLD, AIR INTAKE	1							
2	1	119620-12111	GASKET, MANIFOLD	1							
3	1	26106-060202	BOLT, M6X 20 PLATED	6							
4	1	119620-13110	GASKET	1							

Fig.6. CAMSHAFT & DRIVING GEAR

6.CAMSHAFT & DRIVING GEAR



(A)=3TNE74-MG

(B)=

(C)=

(D)=

(E)=

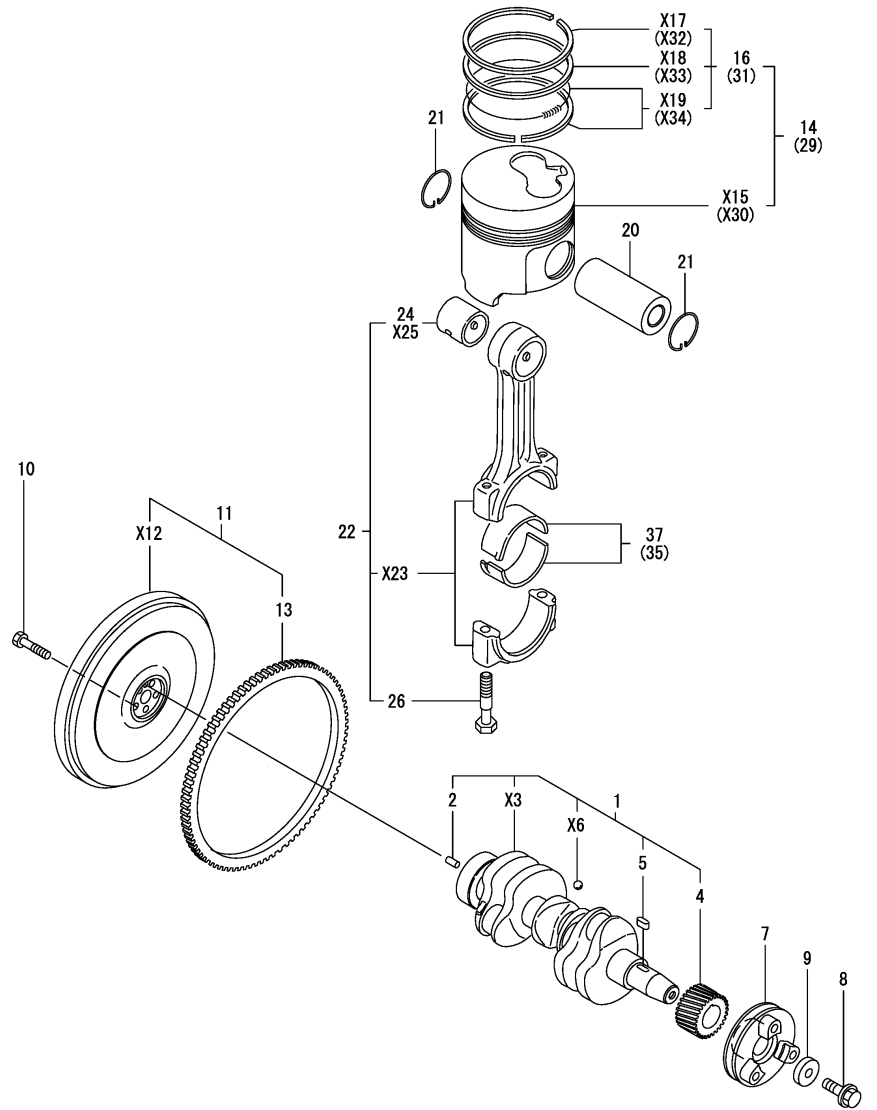
(F)=

No.	Lev.	Parts No.	Description	Q'ty						I	R
				(A)	(B)	(C)	(D)	(E)	(F)		
1	1	119620-14200	TAPPET	6							
2	1	119620-14401	ROD, PUSH	6							
3	1	119629-14580	CAMSHAFT ASSY	1							
4	2	119620-02450	BEARING, THRUST	1							
6	2	119620-14100	GEAR, CAMSHAFT	1							
7	2	22512-040120	KEY, 4X 12	1							
8	1	119660-25022	RETAINER	1							
9	1	119660-25052	SHAFT, IDLE	1							
10	1	119620-25102	GEAR ASSY, IDLE	1							
12	2	119620-25912	BUSH	1							1
14	1	22242-000200	RING, 20	1							
15	1	26106-060122	BOLT, M6X 12 PLATED	3							
16	1	119660-01821	BEARING, FUEL CAM	1							
17	1	719660-14590	CAMSHAFT	1							
20	2	22512-040120	KEY, 4X 12	1							
21	2	24102-063034	BEARING, BALL 6303U	1							
22	1	24101-062034	BEARING, BALL 6203	1							
23	1	26106-060162	BOLT, M6X 16 PLATED	3							
24	1	26587-080102	SCREW, M8X10	1							

Remarks

(1) REPAIR PART.

Fig.7. CRANKSHAFT & PISTON



x-MARK PARTS : NOT SOLD SEPARATELY.

Remarks

- (1) REPAIR PART.
- (2) OVER-SIZE(O.S=0.25)PART.
- (3) UNDER-SIZE(U.S=0.25)PART.

(A)=3TNE74-MG

(B)=

(C)=

(D)=

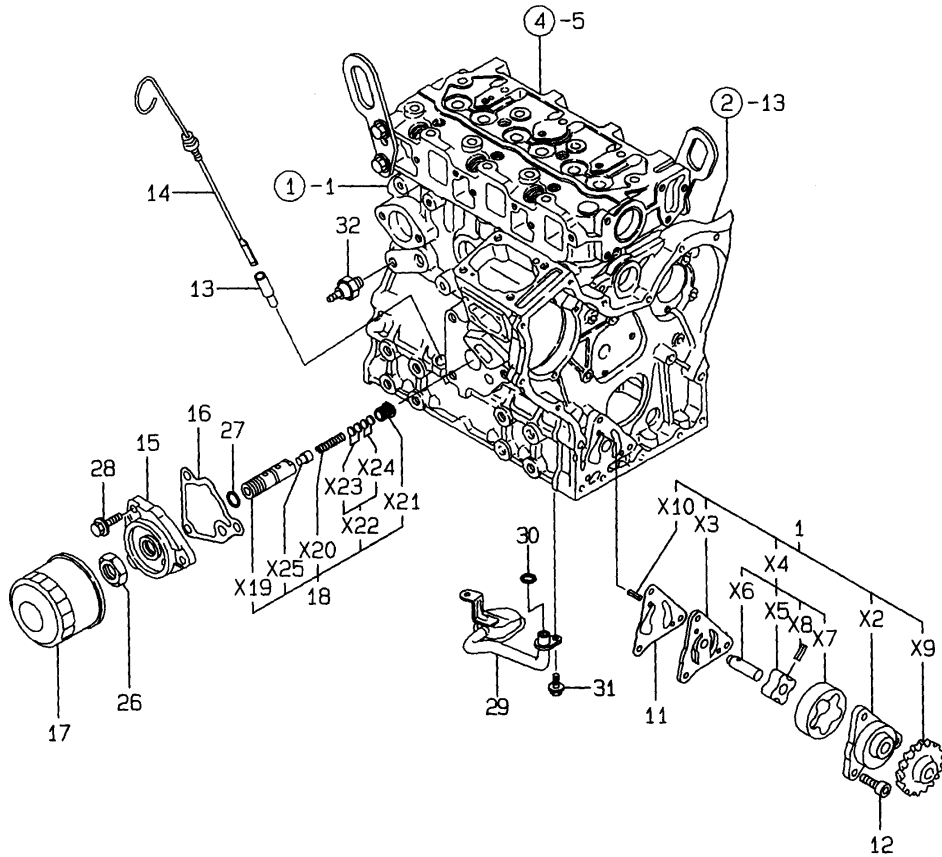
(E)=

(F)=

No.	Lev.	Parts No.	Description	Q'ty						I	R
				(A)	(B)	(C)	(D)	(E)	(F)		
1	1	119623-21700	CRANKSHAFT ASSY	1							
2	2	129100-01580	PIN, M8X16	1							
4	2	119644-21200	GEAR, CRANKSHAFT	1							
5	2	22512-040120	KEY, 4X 12	1							
7	1	119649-21650	V-PULLEY	1							
8	1	119621-21680	BOLT, FLANGE 12X1.25	1							
9	1	119620-21941	WASHER	1							
10	1	119620-21500	BOLT, FLYWHEEL	5							
11	1	119312-21590	FLYWHEEL ASSY	1							
13	2	119867-21600	GEAR, RING	1							
13-1	2	119867-21601	GEAR, RING	1							S
(A=EZZZZZ)											
14	1	119623-22080	PISTON ASSY	3							
16	2	119623-22500	RING SET, PISTON	3							
20	1	114399-22300	PIN, PISTON D=21	3							
21	1	22252-000210	RING, 21	6							
22	1	719620-23100	ROD ASSY, CONNECTING	3							
24	2	119620-23910	BEARING, PISTON PIN	3							1
26	2	105225-23200	BOLT, CONNECTING ROD	6							
29	1	119623-22900	PISTON ASSY, 0.25 OS	3							2
31	2	119623-22950	RING SET, 0.25 OS	3							2
35	1	719620-23610	BEARING ASSY, 0.25	3							3
37	1	719620-23600	BEARING, CRANK PIN	3							

Fig.8. LUB.OIL SYSTEM

8.LUB.OIL SYSTEM



(A)=3TNE74-MG

(B)=

(C)=

(D)=

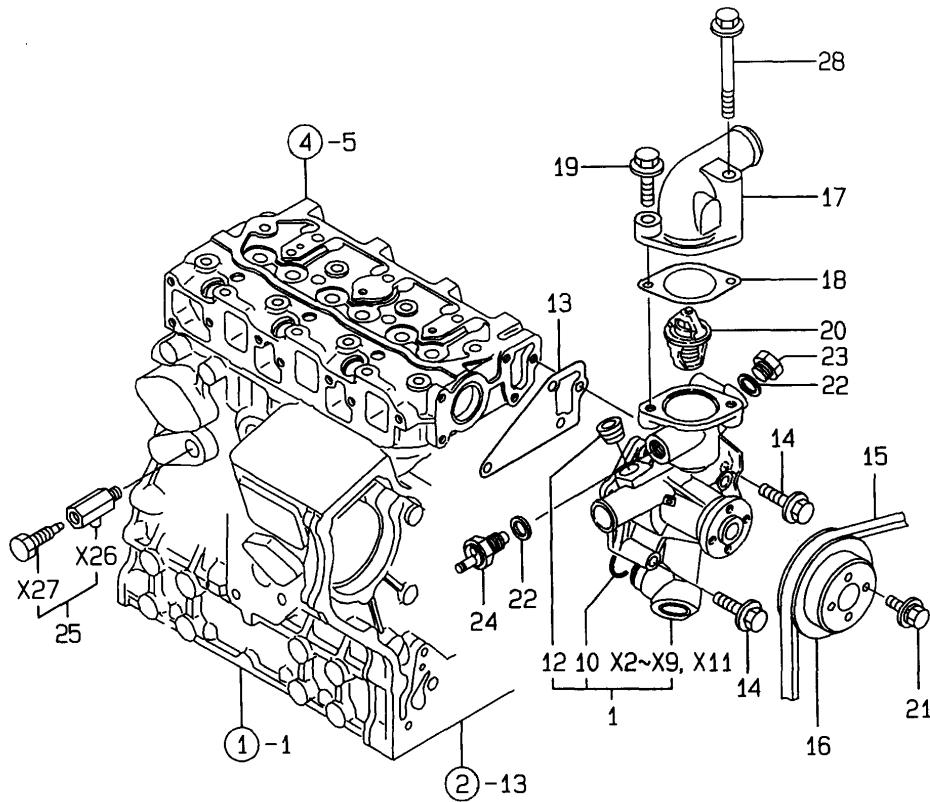
(E)=

(F)=

No.	Lev.	Parts No.	Description	Q'ty						I	R
				(A)	(B)	(C)	(D)	(E)	(F)		
1	1	119660-32001	PUMP ASSY, OIL	1							
11	1	119660-32020	GASKET, PUMP	1							
12	1	26450-060202	BOLT, M6X 20	3							
13	1	121520-34810	GUIDE, DIPSTICK	1							
14	1	119600-34800	DIPSTICK, OIL	1							
15	1	119660-35102	BRACKET, FILTER	1							
16	1	119660-35113	GASKET	1							
17	1	119305-35150	FILTER, OIL	1							
18	1	119660-35300	VALVE ASSY, CONTROL	1							
26	1	129150-35350	NUT	1							
27	1	24311-000160	O-RING, 1AP16.0	1							
28	1	26106-080202	BOLT, M8X 20 PLATED	3							
29	1	119623-35080	PIPE ASSY, OIL INLET	1							
30	1	119209-35030	O-RING, P11	1							
31	1	26106-060102	BOLT, M6X 10 PLATED	2							
32	1	114250-39450	SWITCH, 0.5KG	1							

Fig.9. COOLING WATER SYSTEM

9.COOLING WATER SYSTEM



(A)=3TNE74-MG

(B)=

(C)=

(D)=

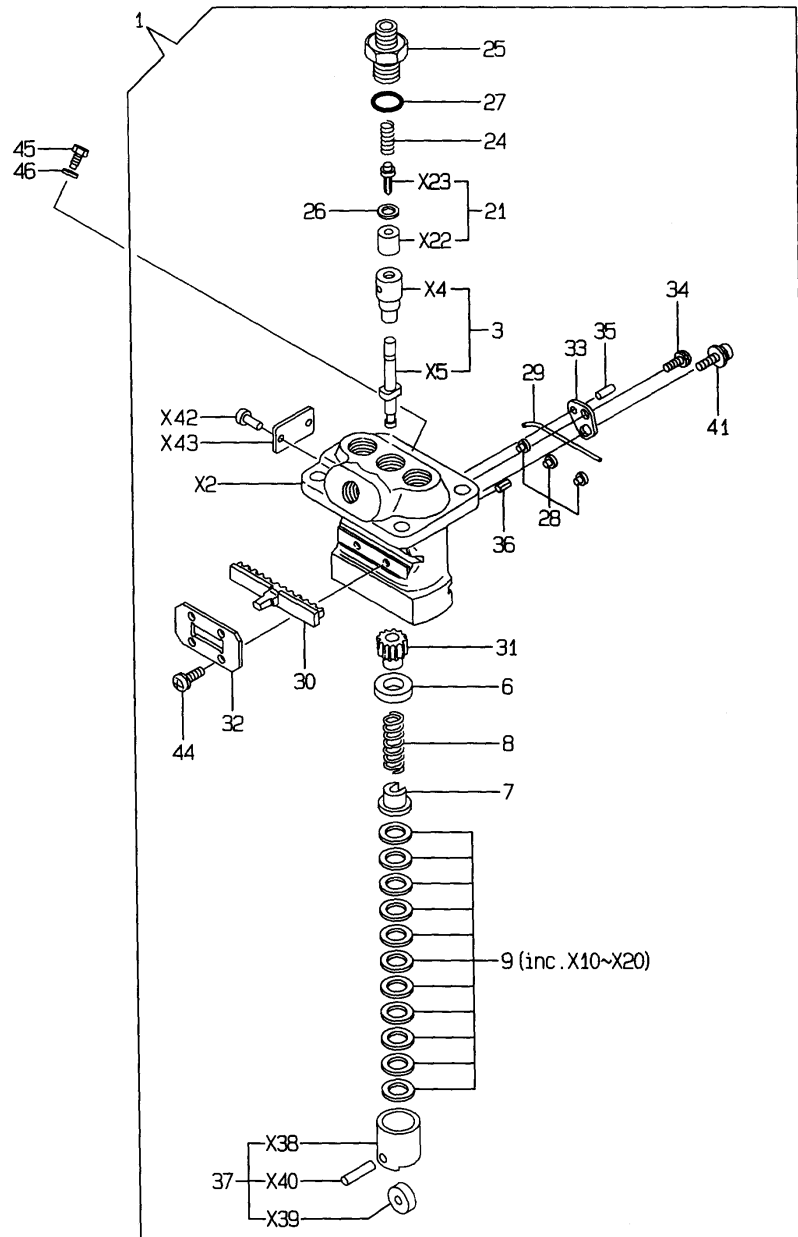
(E)=

(F)=

No.	Lev.	Parts No.	Description	Q'ty						I	R
				(A)	(B)	(C)	(D)	(E)	(F)		
1	1	119660-42006	PUMP ASSY, WATER	1							
10	2	119609-42320	O-RING	1							
12	2	23876-030000	PLUG, R03	1							
13	1	119620-42021	GASKET, WATER PUMP	1							
14	1	26106-080452	BOLT, M8X 45 PLATED	4							
15	1	119650-42291	V-BELT, 35	1							
16	1	119660-42350	V-PULLEY	1							
17	1	124101-49530	COVER, THERMOSTAT	1							
18	1	129350-49541	GASKET	1							
19	1	26106-080282	BOLT, M8X 28 PLATED	1							
20	1	129350-49800	THERMOSTAT, 71	1							
21	1	26014-060102	BOLT, M6X 10	4							
22	1	124465-44950	GASKET, 16	2							
23	1	121450-42450	PLUG, M16	1							
24	1	121250-44901	SWITCH, 110	1							
25	1	119620-49290	COCK ASSY, 1/4	1							
28	1	26106-080652	BOLT, M8X 65 PLATED	1							

Fig.10. FUEL INJECTION PUMP

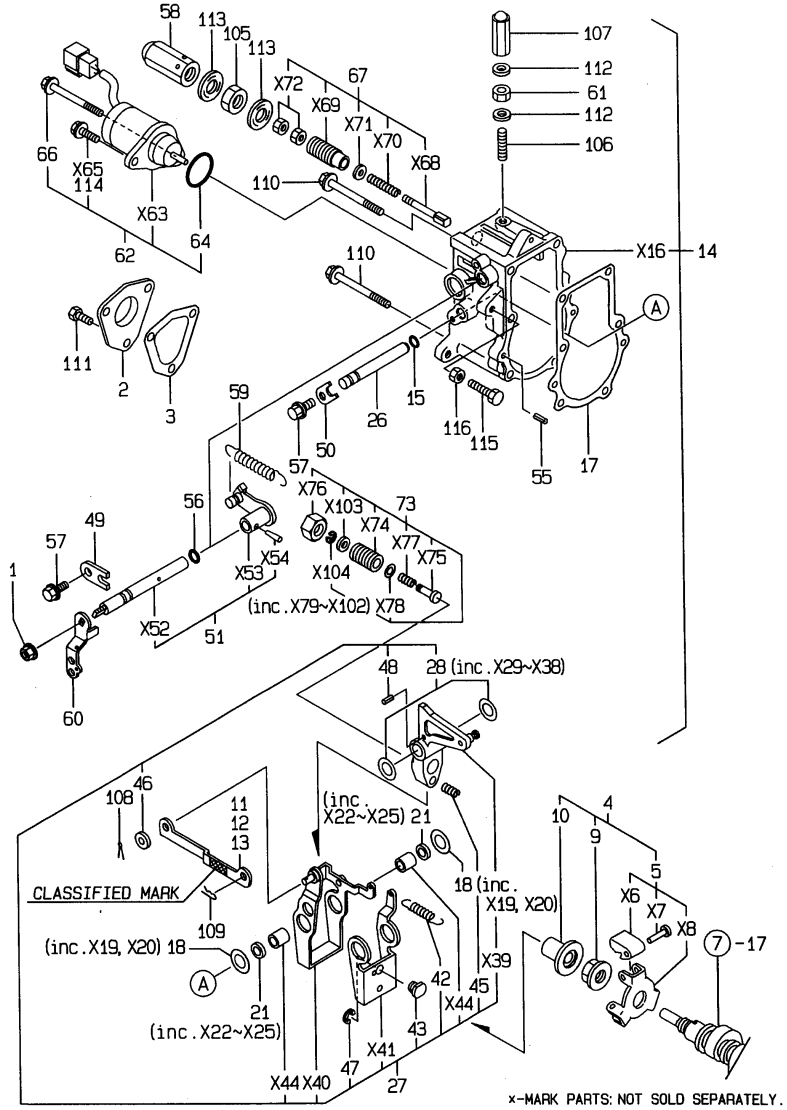
10.FUEL INJECTION PUMP



No.	Lev.	Parts No.	Description	Q'ty						I	R
				(A)	(B)	(C)	(D)	(E)	(F)		
1	1	719624-51100	PUMP ASSY, INJECTION	1							
3	2	119620-51101	PLUNGER ASSY	3							
6	2	119620-51170	RETAINER, SPRING A	3							
7	2	119620-51180	RETAINER, SPRING B	3							
8	2	119620-51190	SPRING, PLUNGER	3							
9	2	119620-51250	SHIM SET	3							
21	2	119620-51300	VALVE ASSY, DELIVERY	3							
24	2	105546-51330	SPRING, DELIVERY	3							
25	2	119620-51340	HOLDER, DELIVERY	3							
26	2	119620-51350	GASKET	3							
27	2	119620-51370	O-RING	3							
28	2	119620-51450	PIECE	3							
29	2	119620-51461	PIN	1							
30	2	119660-51500	RACK, CONTROL	1							
31	2	119620-51510	PINION	3							
32	2	119660-51530	RETAINER, RACK	1							
33	2	119620-51650	PLATE	2							
34	2	119620-51660	SCREW	2							
35	2	119620-51670	PIN	2							
36	2	119620-51680	PIN	1							
37	2	119620-51700	TAPPET ASSY	3							
41	2	26033-040102	SCREW, M4X10	2							
44	2	26022-040082	SCREW, M4X 8	4							
45	1	119266-51900	BOLT	1							
46	1	22190-080002	WASHER, SEAL 6	1							

Fig.11. GOVERNOR

11. GOVERNOR

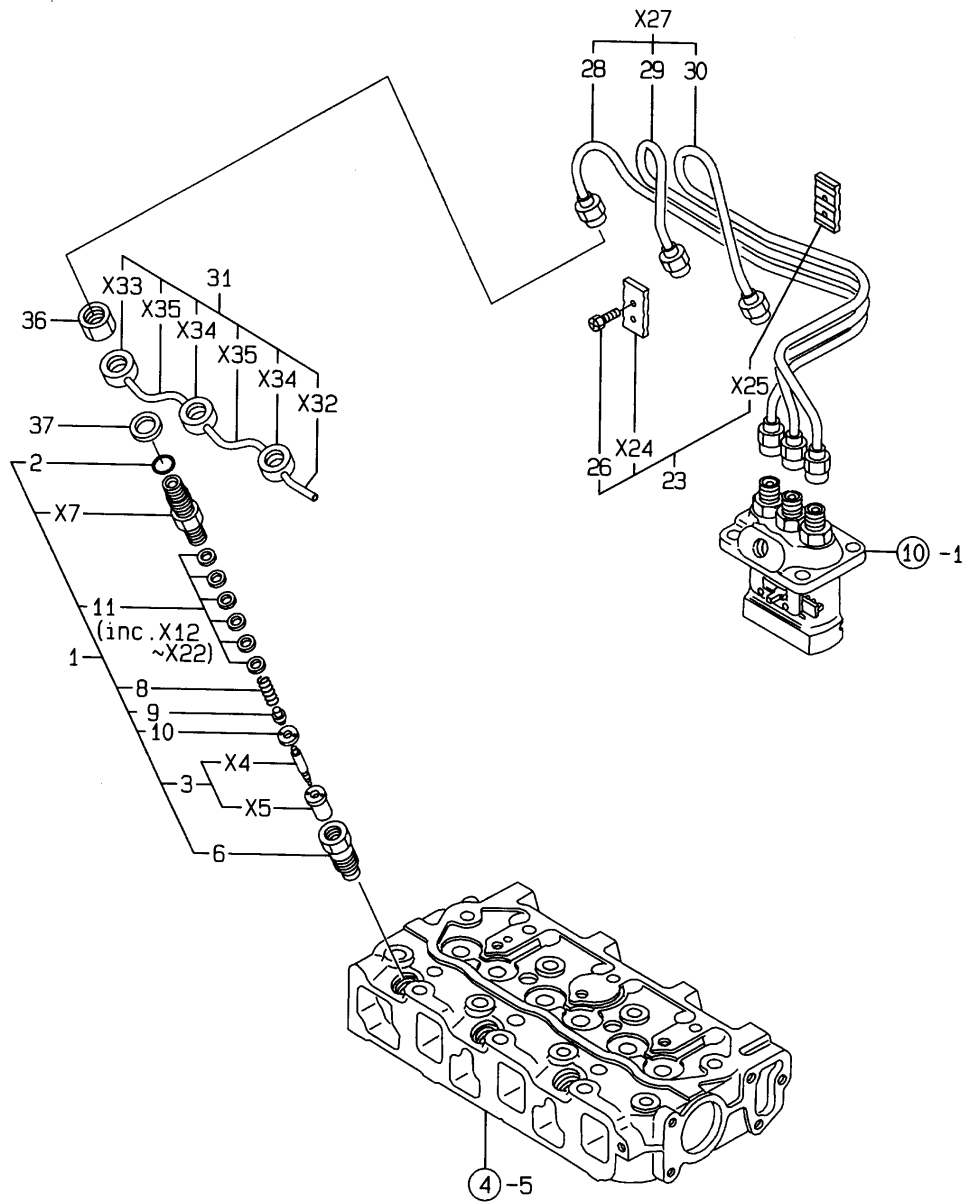


No.	Lev.	Parts No.	Description	Q'ty						I	R
				(A)	(B)	(C)	(D)	(E)	(F)		
1	1	194990-22050	NUT, M8	1							
2	1	119660-61060	COVER, GOVERNOR CASE	1							
3	1	119660-61071	GASKET	1							
4	1	119600-61100	DRIVE ASSY	1							
5	2	119600-61200	WEIGHT ASSY,GOVERNOR	1							
9	2	119660-61300	NUT	1							
10	2	119660-61341	SLEEVE	1							
11	1	119660-61121	LINK, NO MARK	1							1
12	1	119660-61140	LINK, MARK :2	1							1
13	1	119660-61150	LINK, MARK :3	1							1
14	1	119632-61200	CASE ASSY, GOVERNOR	1							
15	2	129155-51280	O-RING, S6	1							
17	2	119660-61052	GASKET	1							
18	2	119660-61460	SHIM SET	1							
21	2	129155-61480	SPACER ASSY	2							
26	2	119660-61590	SHAFT	1							
27	2	119232-61510	LEVER ASSY, GOVERNOR	1							
28	3	174307-51700	SHIM SET	2							
42	3	119232-61540	SPRING	1							
43	3	119600-61541	SHIFTER	1							
45	3	119660-61651	SPRING, STARTING	1							
46	3	22117-040000	WASHER, 4	1							
47	3	22272-000040	RING, E- 4	1							
48	3	22351-030014	PIN, SPRING 3.0X14	1							
49	2	119600-61900	RETAINER, SHAFT	1							
50	2	119660-61901	RETAINER, SHAFT	1							
51	2	119285-66080	SHAFT ASSY	1							
55	2	22351-040010	PIN, SPRING 4.0X10	2							
56	2	24341-000070	O-RING, 1AS7.0	1							
57	2	26106-060102	BOLT, M6X 10 PLATED	2							
58	1	129100-61930	NUT, CAP	1							
59	1	119789-66010	SPRING, REGULATOR	1							
60	1	119621-66051	LEVER, REGULATOR	1							
61	1	124550-66370	NUT, M6	1							
62	1	119653-66500	STOPPER ASSY	1							
64	2	24341-000280	O-RING, 1AS28.0	1							
66	2	26106-060952	BOLT, M6X 95 PLATED	1							
67	1	119629-66510	LIMITER ASSY, FUEL	1							
73	1	119610-66700	ANGLEICH ASSY	1							
105	1	26776-120002	NUT, LOCK M12	1							
106	1	171002-66830	SCREW	1							
107	1	119600-66840	NUT, CAP	1							
108	1	22360-040000	PIN, SNAP 4	1							
109	1	22360-060000	PIN, SNAP 6	1							
110	1	26106-060702	BOLT, M6X 70 PLATED	5							
111	1	26116-050102	BOLT, M5X 10 PLATED	3							
112	1	22190-060003	SEAL WASER 6	2							
113	1	22190-120002	WASHER, SEAL 12	2							
114	1	121465-59950	BOLT, M6X16	1							
115	1	26116-060304	BOLT, M6X 30 PLATED	1							
116	1	26756-060002	NUT, LOCK M6	1							

Remarks
 (1) SELECTIVE PARTS: CERTAIN THE CLASSIFICATION MARK, THEN PLACE YOUR ORDER(REFER TO ILLUSTRATION)
 (2) REPAIR PART.

Fig.12. FUEL INJECTION VALVE

12.FUEL INJECTION VALVE



(A)=3TNE74-MG

(B)=

(C)=

(D)=

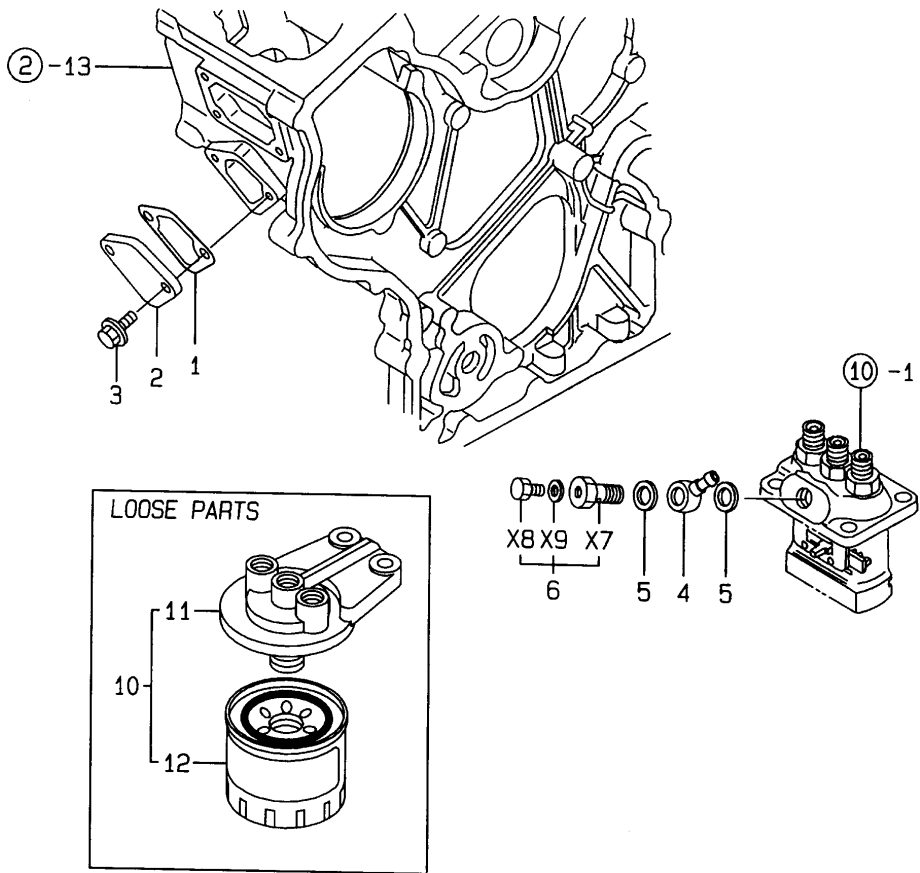
(E)=

(F)=

No.	Lev.	Parts No.	Description	Q'ty						I	R
				(A)	(B)	(C)	(D)	(E)	(F)		
1	1	719620-53100	VALVE ASSY,INJECTION	3							
2	2	129155-61830	O-RING, S10	3							
3	2	119620-53000	VALVE ASSY,INJECTION	3							
6	2	119620-53080	NUT, NOZZLE	3							
8	2	119620-53120	SPRING, NOZZLE	3							
9	2	114250-53130	SEAT, SPRING	3							
10	2	119620-53140	SPACER, VALVE STOP	3							
11	2	114250-53400	SHIM SET	3							
23	1	129150-59120	RETAINER, PIPE	1							
26	2	129150-59131	BOLT, M4X14	2							
28	2	119620-59811	PIPE ASSY, INJECTION	1							
29	2	119620-59821	PIPE ASSY, INJECTION	1							
30	2	119620-59831	PIPE ASSY, INJECTION	1							
31	1	119789-59500	PIPE ASSY, RETURN	1							
36	1	119620-59700	NUT, NOZZLE	3							
37	1	22190-140002	WASHER, SEAL 14	3							

Fig.13. FUEL LINE

13.FUEL LINE



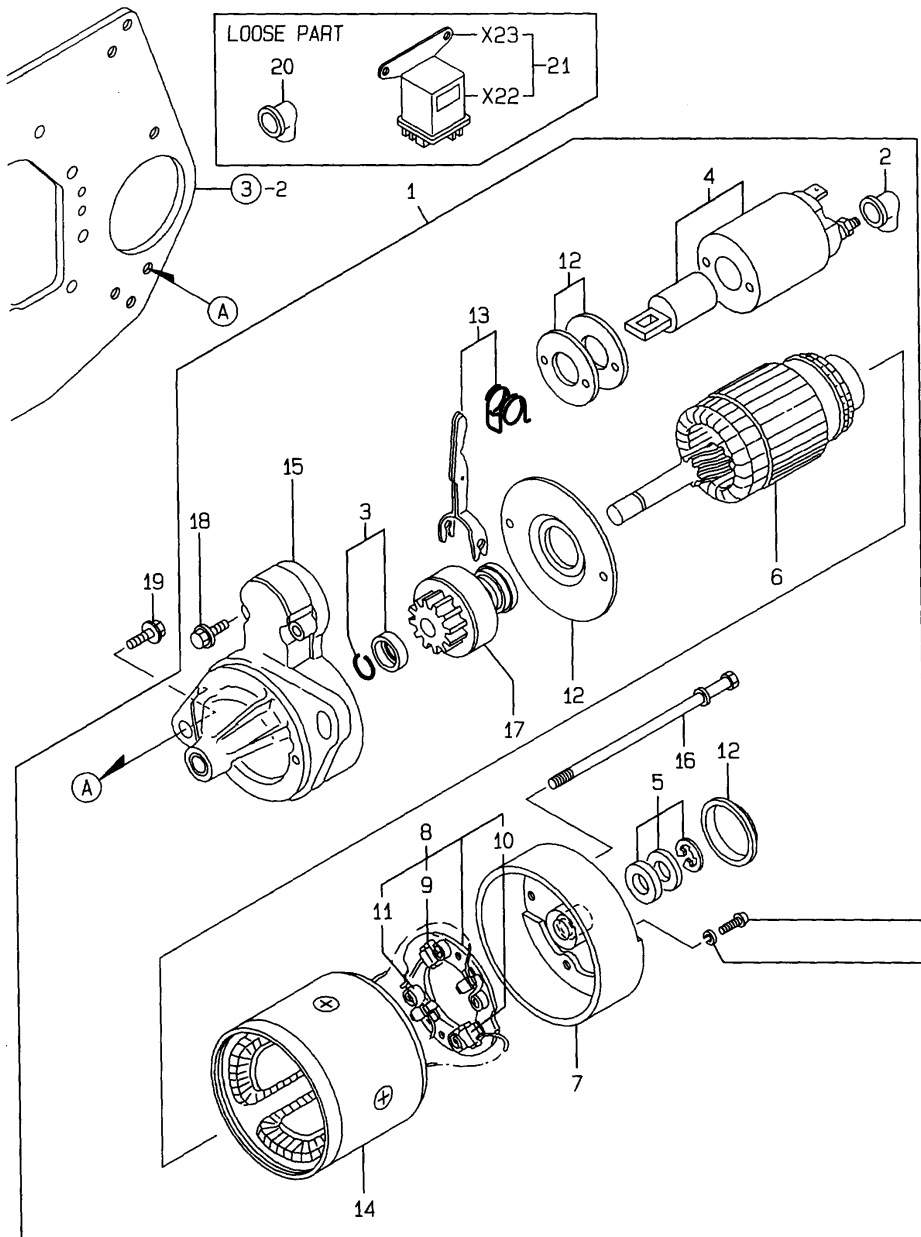
(A)=3TNE74-MG
(B)=
(C)=

(D)=
(E)=
(F)=

No.	Lev.	Parts No.	Description	Q'ty						I	R
				(A)	(B)	(C)	(D)	(E)	(F)		
1	1	121520-01851	GASKET	1							
2	1	121520-01860	COVER	1							
3	1	26106-060162	BOLT, M6X 16 PLATED	2							
4	1	101304-59020	JOINT, PIPE 12	1							
5	1	22190-120002	WASHER, SEAL 12	2							
6	1	103854-59191	BOLT ASSY, JOINT M12	1							
10	1	129470-55601	FILTER ASSY, FUEL	1							
11	2	129470-55610	BODY, STRAINER	1							
12	2	129470-55701	STRAINER ASSY, FUEL	1							

Fig.14. STARTING MOTOR

14. STARTING MOTOR



(A)=3TNE74-MG

(B)=

(C)=

(D)=

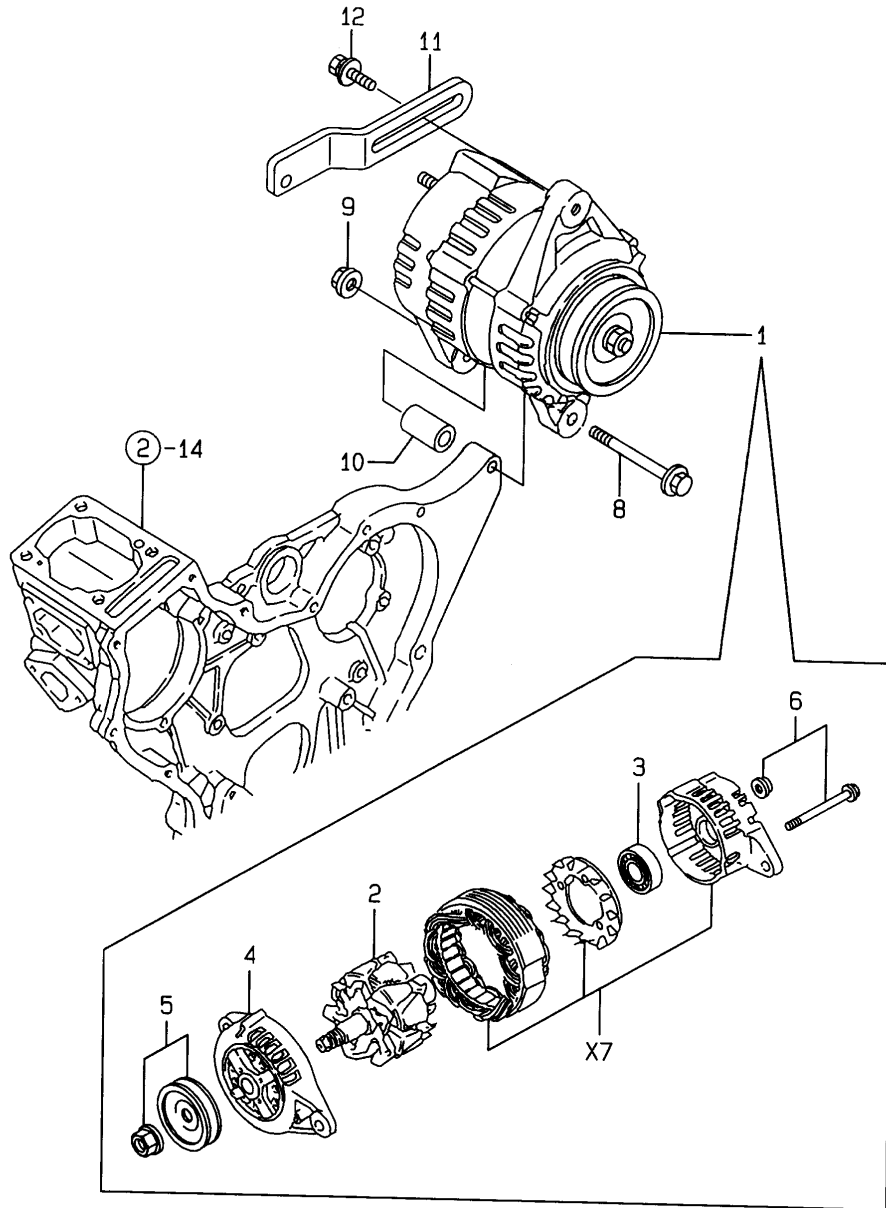
(E)=

(F)=

No.	Lev.	Parts No.	Description	Q'ty						I	R
				(A)	(B)	(C)	(D)	(E)	(F)		
1	1	119865-77012	STARTER	1							
2	2	X2114274200	COVER, TERMINAL	1							
3	2	X2114715500	STOPPER SET, PINION	1							
4	2	X2114776050	SWITCH, MAGNETIC	1							
5	2	X2114811000	WASHER KIT, THRUST	1							
6	2	114371-77110	ARMATURE	1							
7	2	114371-77140	COVER ASSY, REAR	1							
8	2	119865-77160	HOLDER COMP.,BRUSH	1							
9	3	114371-79040	BRUSH (-)	2							
10	3	119865-79050	BRUSH ASSY	1							
11	3	114371-79060	SPRING, BRUSH	4							
12	2	114371-77170	COVER KIT, DUST	1							
13	2	114371-77180	LEVER KIT, SHIFT	1							
14	2	124097-77710	YOKE ASSY	1							
15	2	119865-77760	CASE COMP.,GEAR	1							
16	2	124195-77770	THROUGH BOLT	2							
17	2	119865-77780	PINION ASSY	1							
18	2	114371-79070	BOLT M 6X 37	2							
19	1	26106-100302	BOLT, M10X 30 PLATED	2							
20	1	124550-77030	COVER, TERMINAL	1							
21	1	119650-77910	RELAY ASSY, GLOW	1							

Fig.15. GENERATOR

15. GENERATOR



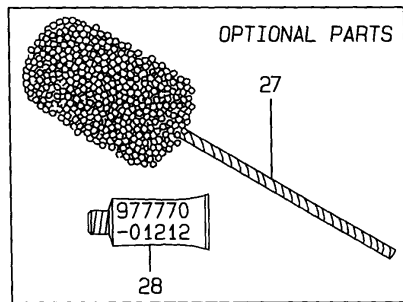
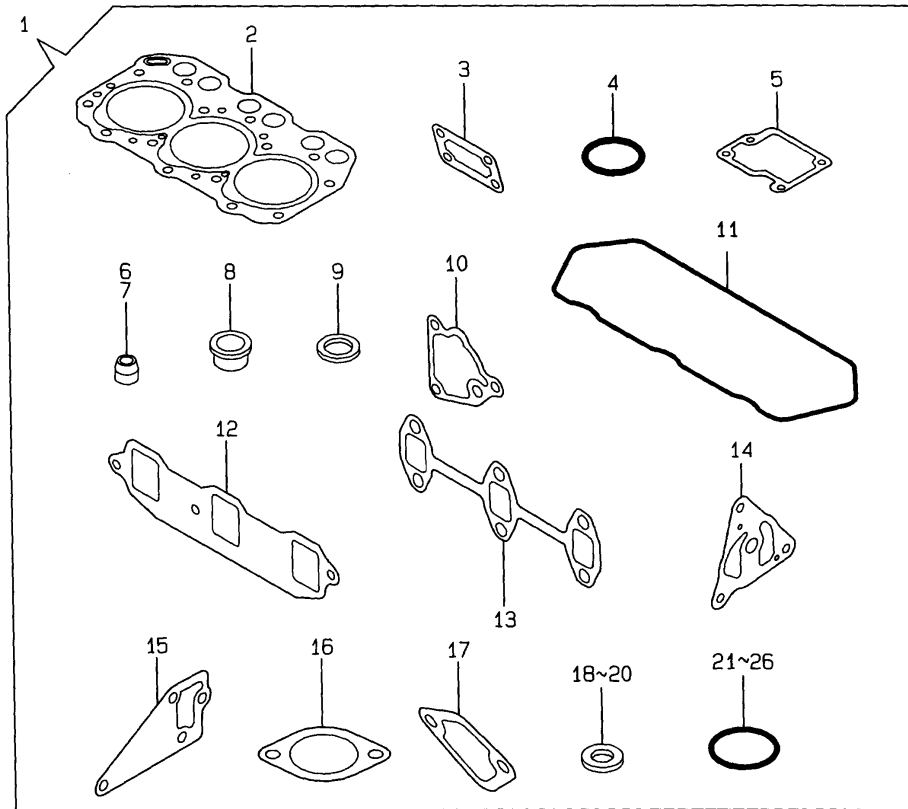
(A)=3TNE74-MG
(B)=
(C)=

(D)=
(E)=
(F)=

No.	Lev.	Parts No.	Description	Qty						I	R
				(A)	(B)	(C)	(D)	(E)	(F)		
1	1	119836-77201	GENERATOR (AC)	1							
2	2	129612-77700	ROTOR ASSY	1							
3	2	129612-77710	BEARING, BALL	1							
4	2	129612-77730	BRACKET ASSY, FILTER	1							
5	2	129612-77740	PULLEY	1							
6	2	129612-77750	SCREW KIT	1							
7	2	119836-77920	BRACKET ASSY	1							
8	1	26106-081052	BOLT, M8X105 PLATED	1							
9	1	26366-080002	NUT, M8	1							
10	1	119621-77340	PIECE, DISTANCE	1							
11	1	119621-77331	ADJUSTER	1							
12	1	26014-080202	BOLT, M8X 20	1							

Fig.16. GASKET SET

16.GASKET SET



Remarks
(1) OPTIONAL PART.

(A)=3TNE74-MG

(B)=

(C)=

(D)=

(E)=

(F)=

No.	Lev.	Parts No.	Description	Q'ty						I	R
				(A)	(B)	(C)	(D)	(E)	(F)		
1	1	719789-92620	GASKET SET	1							1
2	2	119623-01340	GASKET, HEAD	1							
3	2	119660-01562	GASKET	1							
4	2	24311-000320	O-RING, 1AP32.0	2							
5	2	119620-03031	GASKET	1							
6	2	124950-11340	SEAL, VALVE STEM	3							
7	2	124160-11340	SEAL, VALVE STEM	3							
8	2	119600-11450	PROTECTOR, NOZZLE	3							
9	2	119600-11460	GASKET, NOZZLE	6							
10	2	119660-35113	GASKET	1							
11	2	119620-11310	GASKET, BONNET	1							
12	2	119660-12111	GASKET, MANIFOLD	1							
13	2	119620-13110	GASKET	1							
14	2	119660-32020	GASKET, PUMP	1							
15	2	119620-42021	GASKET, WATER PUMP	1							
16	2	129350-49541	GASKET	1							
17	2	121520-01851	GASKET	1							
18	2	124465-44950	GASKET, 16	2							
19	2	22190-120002	WASHER, SEAL 12	3							
20	2	22190-140002	WASHER, SEAL 14	3							
21	2	24311-000120	O-RING, 1AP12.0	2							
22	2	129155-61830	O-RING, S10	3							
23	2	24341-000240	O-RING, 1AS24.0	1							
24	2	119624-32040	O-RING, P12.0	2							
25	2	24311-000160	O-RING, 1AP16.0	1							
26	2	119209-35030	O-RING, P11	1							
27	1	129400-92410	FLEX HORN	1							1
28	1	977770-01212	GASKET, LIQUID	1							1

Parts No. Index

Parts No.	Fig. No.	Ref. No.
101304-59020	13	4
103854-59191	13	6
104211-11370	4	21
105010-11230	4	32
		36
105225-23200	7	26
105546-51330	10	24
114250-39450	8	32
114250-53130	12	9
114250-53400	12	11
114371-77110	14	6
114371-77140	14	7
114371-77170	14	12
114371-77180	14	13
114371-79040	14	9
114371-79060	14	11
114371-79070	14	18
114399-22300	7	20
118400-03060	4	49
119209-35030	8	30
	16	26
119232-61510	11	27
119232-61540	11	42
119266-07900	4	2 -1
119266-51900	10	45
119285-66080	11	51
119305-35150	8	17
119312-01600	3	2
119312-21590	7	11
119600-01050	1	4
119600-01722	3	10
119600-11450	4	23
	16	8
119600-11460	4	24
	16	9
119600-34800	8	14
119600-61100	11	4
119600-61200	11	5
119600-61541	11	43
119600-61900	11	49
119600-66840	11	107
119609-42320	9	10
119610-01490	2	13
119610-01590	2	1
119610-66700	11	73
119620-01200	1	20
119620-01620	3	5
119620-01800	2	3
119620-02020	1	5
119620-02450	6	4

Parts No.	Fig. No.	Ref. No.
119620-03020	4	45
119620-03031	4	46
	16	5
119620-11110	4	15
119620-11120	4	16
119620-11180	4	17
119620-11240	4	26
119620-11260	4	29
119620-11280	4	30
119620-11310	4	48
	16	11
119620-11350	4	41
119620-11801	4	8
119620-12111	5	2
119620-13110	5	4
	16	13
119620-14100	6	6
119620-14200	6	1
119620-14401	6	2
119620-21500	7	10
119620-21941	7	9
119620-23910	7	24
119620-25102	6	10
119620-25912	6	12
119620-42021	9	13
	16	15
119620-49290	9	25
119620-51101	10	3
119620-51170	10	6
119620-51180	10	7
119620-51190	10	8
119620-51250	10	9
119620-51300	10	21
119620-51340	10	25
119620-51350	10	26
119620-51370	10	27
119620-51450	10	28
119620-51461	10	29
119620-51510	10	31
119620-51650	10	33
119620-51660	10	34
119620-51670	10	35
119620-51680	10	36
119620-51700	10	37
119620-53000	12	3
119620-53080	12	6
119620-53120	12	8
119620-53140	12	10
119620-59700	12	36
119620-59811	12	28

Parts No.	Fig. No.	Ref. No.
119620-59821	12	29
119620-59831	12	30
119620-77820	4	4
119621-21680	7	8
119621-66051	11	60
119621-77331	15	11
119621-77340	15	10
119623-01250	1	9
119623-01340	1	21
	16	2
119623-01950	2	21
119623-11100	4	14
119623-21700	7	1
119623-22080	7	14
119623-22500	7	16
119623-22900	7	29
119623-22950	7	31
119623-35080	8	29
119624-02410	1	18
119624-32040	2	5
	16	24
119629-14580	6	3
119629-66510	11	67
119632-61200	11	14
119640-01640	3	13
119644-21200	7	4
119645-12100	5	1
119649-21650	7	7
119650-42291	9	15
119650-77910	14	21
119653-66500	11	62
119660-01510	2	15
119660-01551	2	18
119660-01562	2	19
	16	3
119660-01570	2	20
119660-01640	3	6
119660-01821	6	16
119660-01911	2	4
119660-12111	16	12
119660-25022	6	8
119660-25052	6	9
119660-32001	8	1
119660-32020	8	11
	16	14
119660-35102	8	15
119660-35113	8	16
	16	10
119660-35300	8	18
119660-42006	9	1

Parts No.	Fig. No.	Ref. No.
119660-42350	9	16
119660-51500	10	30
119660-51530	10	32
119660-61052	11	17
119660-61060	11	2
119660-61071	11	3
119660-61121	11	11
119660-61140	11	12
119660-61150	11	13
119660-61300	11	9
119660-61341	11	10
119660-61460	11	18
119660-61590	11	26
119660-61651	11	45
119660-61901	11	50
119789-11200	4	25
119789-59500	12	31
119789-66010	11	59
119836-77201	15	1
119836-77920	15	7
119865-77012	14	1
119865-77160	14	8
119865-77760	14	15
119865-77780	14	17
119865-79050	14	10
119867-21600	7	13
119867-21601	7	13 -1
121023-01550	2	32
121250-44901	9	24
121450-01560	2	16
121450-42450	9	23
121465-59950	11	114
121520-01851	13	1
	16	17
121520-01860	13	2
121520-34810	8	13
124085-02220	3	8
124097-77710	14	14
124101-49530	9	17
124160-01751	2	11
	4	56
124160-11340	4	19
	16	7
124160-11360	4	53
124195-77770	14	16
124465-44950	9	22
	16	18
124550-66370	11	61
124550-77030	14	20
124736-07900	4	2

Parts No. Index

Parts No.	Fig. No.	Ref. No.
124950-11340	4	20
	16	6
129100-01580	3	1
	7	2
129100-61930	11	58
129150-35350	8	26
129150-59120	12	23
129150-59131	12	26
129155-51280	11	15
129155-61480	11	21
129155-61830	12	2
	16	22
129350-49541	9	18
	16	16
129350-49800	9	20
129400-92410	16	27
129470-55601	13	10
129470-55610	13	11
129470-55701	13	12
129612-77700	15	2
129612-77710	15	3
129612-77730	15	4
129612-77740	15	5
129612-77750	15	6
129795-77800	4	55
171002-66830	11	106
174307-51700	11	28
194990-22050	2	30
	11	1
22117-040000	11	46
22190-060003	11	112
22190-080002	10	46
22190-120002	11	113
	13	5
	16	19
22190-140002	12	37
	16	20
22190-220002	3	14
22242-000120	4	39
22242-000200	6	14
22252-000210	7	21
22272-000040	11	47
22351-030014	11	48
22351-040010	2	17
	11	55
22351-060012	4	22
22360-040000	11	108
22360-060000	11	109
22512-040120	6	7
		20

Parts No.	Fig. No.	Ref. No.
22512-040120	7	5
22857-500100	4	51
23065-120500	4	1
23876-010000	1	8
23876-020000	4	11
23876-030000	9	12
24101-062034	6	22
24102-063034	6	21
24311-000120	4	54
	16	21
24311-000160	8	27
	16	25
24311-000320	2	12
	4	57
	16	4
24341-000070	11	56
24341-000240	2	33
	16	23
24341-000280	11	64
26014-060102	9	21
26014-080202	15	12
26022-040082	10	44
26033-040102	10	41
26106-060102	8	31
	11	57
26106-060122	1	19
	3	15
	6	15
26106-060162	2	6
		34
	6	23
	13	3
26106-060202	5	3
26106-060222	3	9
26106-060302	2	7
26106-060452	3	16
26106-060602	2	8
		9
26106-060702	11	110
26106-060802	2	10
26106-060952	11	66
26106-080142	4	3
26106-080202	8	28
26106-080282	9	19
26106-080452	4	42
	9	14
26106-080652	9	28
26106-081052	15	8
26106-100302	14	19
26116-050102	11	111

Parts No.	Fig. No.	Ref. No.
26116-060304	11	115
26206-100202	3	3
26206-100252	3	4
26366-060002	2	31
26366-080002	4	43
	15	9
26450-060202	8	12
26587-080102	6	24
26756-060002	4	34
		38
	11	116
26776-120002	11	105
26979-050162	4	40
27221-050080	4	12
27241-120000	1	10
27241-300000	1	11
27241-400000	4	13
27310-070001	4	18
719620-02800	1	12
719620-02870	1	22
719620-02930	1	15
719620-11521	4	44
719620-23100	7	22
719620-23600	7	37
719620-23610	7	35
719620-53100	12	1
719623-01560	1	1
719623-11700	4	5
719624-51100	10	1
719631-01540	3	11
719660-14590	6	17
719789-11650	4	31
719789-11660	4	35
719789-92620	16	1
977770-01212	2	35
	3	17
	16	28
X2114274200	14	2
X2114715500	14	3
X2114776050	14	4
X2114811000	14	5

Parts No.	Fig. No.	Ref. No.
-----------	----------	----------