

Fig.4.CYLINDER HEAD & BONNET

(A)=3TNV88-GMG

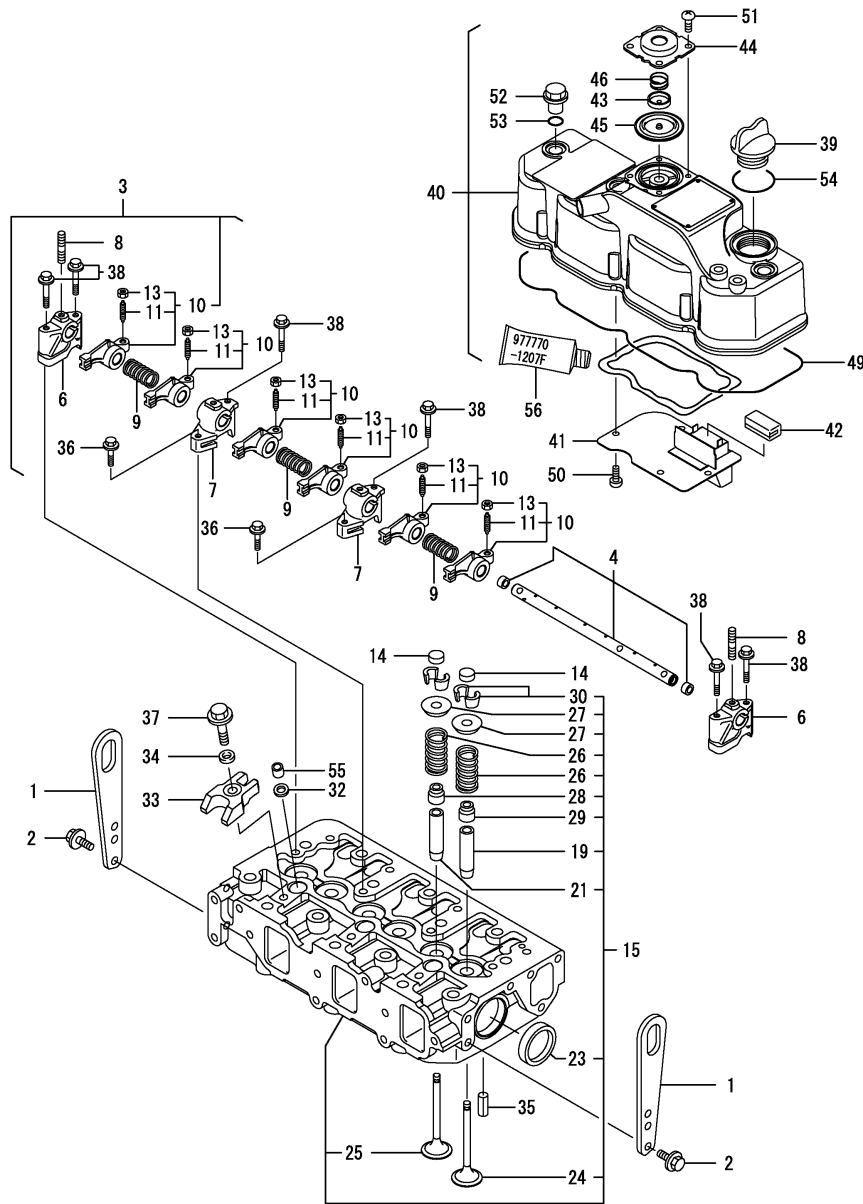
(B)=

(C)=

(D)=

(E)=

(F)=



REF.	LEV.	PARTS NO.	DESCRIPTION	QTY						I	R
				(A)	(B)	(C)	(D)	(E)	(F)		
1	1	129900-07900	LIFTER, ENGINE	2							
2	1	26106-080162	BOLT M 8X 16 PLATED	4							
3	1	129004-11241	SHAFT ASSY, ROCKER	1							
4	2	129004-11251	SHAFT, ROCKER ARM	1							
6	2	119802-11260	SUPPORT, ROCKER ARM	2							
7	2	119802-11270	SUPPORT, ROCKER ARM	2							
8	2	119802-11280	STUD	3							
9	2	129150-11280	SPRING	3							
10	2	129004-11650	ARM ASSY, ROCKER	6							
11	3	129150-11230	SCREW, VALVE	6							
13	3	129150-11750	NUT M8XP1.0	6							
14	1	129150-11370	CAP, VALVE	6							
15	1	129004-11700	HEAD ASSY, CYLINDER	1							
19	2	120130-11860	GUIDE, VALVE	3							1
21	2	129150-11810	GUIDE, VALVE	3							1
23	2	27241-400000	PLUG 40	2							
24	2	129004-11130	VALVE, INTAKE	3							
25	2	129100-11112	VALVE, EXHAUST	3							
26	2	129795-11120	SPRING, VALVE	6							
27	2	129795-11180	RETAINER, SPRING	6							
28	2	121400-11340	SEAL, VALVE STEM	3							
29	2	124460-11340	SEAL, VALVE STEM	3							
30	2	27310-080001	COTTER 8	6							
32	1	119625-11880	SEAT, NOZZLE	3							
33	1	129004-11900	RETAINER, NOZZLE	3							
34	1	120270-54410	WASHER	3							
35	1	22351-060012	SPRING PIN 6X12	2							
36	1	26106-080252	BOLT M 8X 25 PLATED	2							
37	1	26106-080352	BOLT M 8X 35 PLATED	3							
38	1	26106-080502	BOLT M 8X 50 PLATED	6							
39	1	124160-01751	COVER,FILLER	1							
40	1	129004-11350	BONNET ASSY, HEAD	1							
41	2	129004-03010	PLATE, BAFFLE	1							
42	2	129150-03070	BAFFLE, BREATHER	1							
43	2	119802-03110	PLATE, DIAPHRAGM	1							
44	2	119802-03121	COVER, DIAPHRAGM	1							
45	2	119802-03130	DIAPHRAGM	1							
46	2	119802-03141	SPRING, DIAPHRAGM	1							
49	2	129004-11310	GASKET, BONNET	1							
50	2	22857-500100	SCREW 5X10,TAPPING	4							
51	2	22857-500100	SCREW 5X10,TAPPING	4							
52	1	124160-11360	KNOB	3							
53	1	24311-000120	O-RING 1A P 12.0	3							
54	1	24311-000320	O-RING 1A P-32.0	1							
55	1	119802-11870	PROTECTOR, NOZZLE	3							
56	1	977770-1207F	GASKET.LIQUID	1							2

Remarks
 (1) REPAIR PART.
 (2) OPTIONAL PART.

Fig.6.EXHAUST MANIFOLD

Y00W1430 6.EXHAUST MANIFOLD

(A)=3TNV88-GMG

(B)=

(C)=

(D)=

(E)=

(F)=

REF.	LEV.	PARTS NO.	DESCRIPTION	Q'TY						I	R
				(A)	(B)	(C)	(D)	(E)	(F)		
1	1	129004-13109	MANIFOLD, EXHAUST	1							
2	1	129150-13110	GASKET, EXH.MANIFOLD	1							
3	1	123900-13630	BOLT 8X80	4							
4	1	119131-18320	BOLT M 8X 22	4							
5	1	123900-13610	STUD BOLT M 8X 80	2							
6	1	26306-080002	NUT	2							
7	1	129004-13200	GASKET, SILENCER	1							

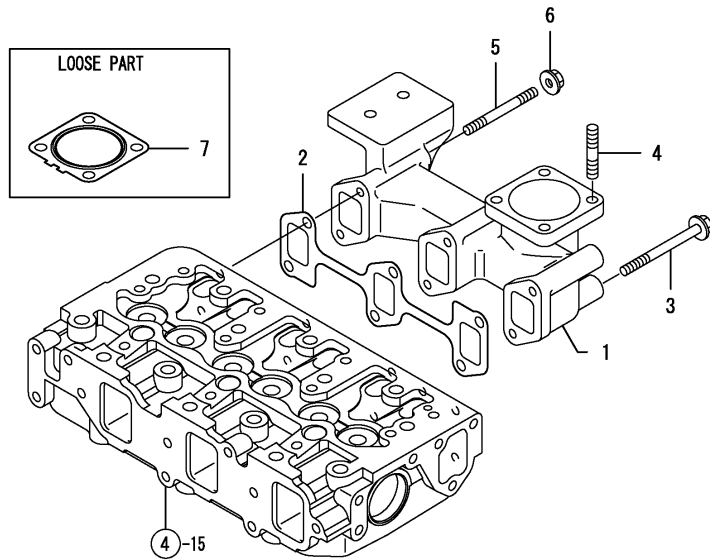


Fig.3.FLYWHEEL HOUSING & OIL SUMP

(A)=3TNV88-GMG

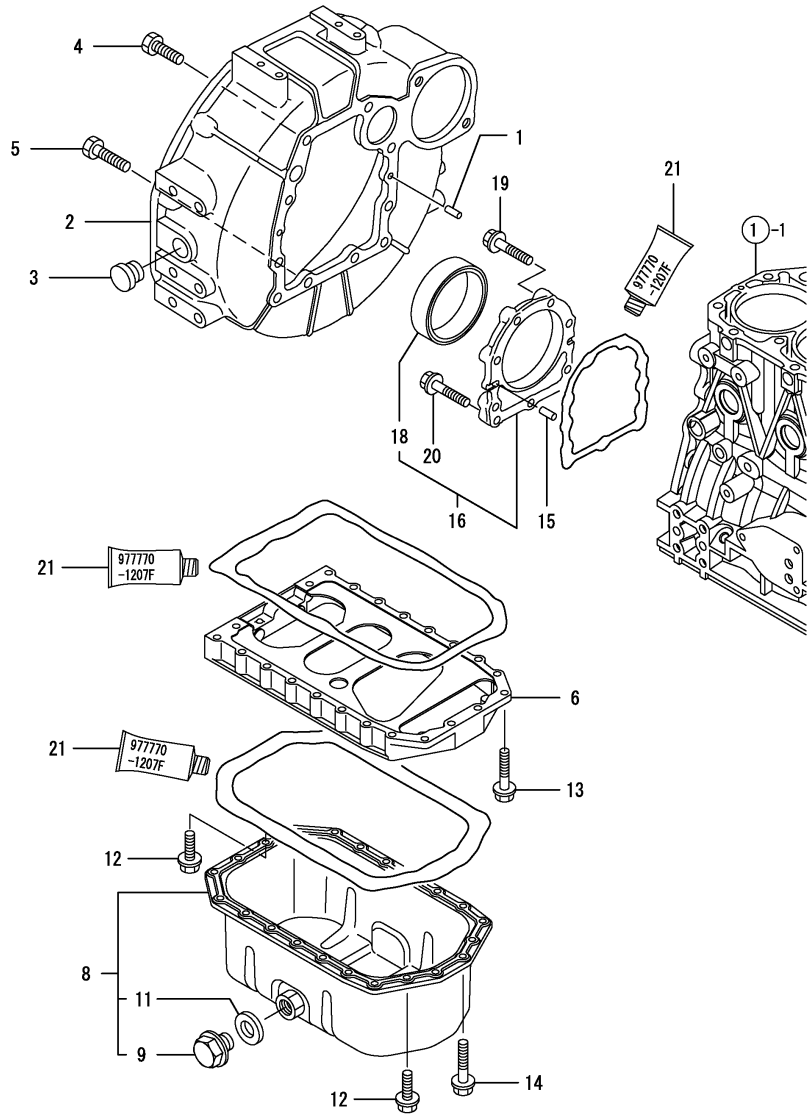
(B)=

(C)=

(D)=

(E)=

(F)=



REF.	LEV.	PARTS NO.	DESCRIPTION	QTY						I	R	
				(A)	(B)	(C)	(D)	(E)	(F)			
1	1	129100-01580	PARALLEL PIN 8X16		2							
2	1	171420-01600	HOUSING, FLYWHEEL	1								
3	1	119620-01750	CAP, FLYWHEEL COVER	1								
4	1	26206-100252	BOLT M10X25	6								
5	1	26206-100302	BOLT M10X30	4								
6	1	129100-01730	SPACER, OIL SUMP	1								
8	1	129100-01760	SUMP ASSY, OIL	1								
9	2	119640-01640	DRAIN PLUG M22	1								
11	2	22190-220002	SEAL WASHER 22S	1								
12	1	26106-080162	BOLT M 8X 16 PLATED	4								
13	1	26106-080252	BOLT M 8X 25 PLATED	2								
14	1	26106-080452	BOLT M 8X 45 PLATED	20								
15	1	129100-01580	PARALLEL PIN 8X16	2								
16	1	129100-01640	CASE ASSY, OIL SEAL	1								
18	2	129795-01780	SEAL, OIL	1								
19	1	129486-01670	BOLT M8X30,COLLAR HD	6								
20	1	26106-080352	BOLT M 8X 35 PLATED	3								
21	1	977770-1207F	GASKET.LIQUID	1								1

Remarks
(1) OPTIONAL PART.

Fig.5.SUCTION MANIFOLD

Y00W1430 5.SUCTION MANIFOLD

(A)=3TNV88-GMG

(B)=

(C)=

(D)=

(E)=

(F)=

REF.	LEV.	PARTS NO.	DESCRIPTION	Q'TY						I	R	
				(A)	(B)	(C)	(D)	(E)	(F)			
1	1	129004-03080	PIPE, BREATHER	1								
2	2	129410-03990	CLAMP 22	2								
3	1	129004-12100	MANIFOLD, INTAKE	1								
5	1	129001-12110	GASKET,INT. MANIFOLD	1								
6	1	26106-080202	BOLT M 8X 20 PLATED	4								
7	1	26106-080802	BOLT M 8X 80 PLATED	1								
8	1	129120-77502	HEATER, AIR	1								
9	1	129150-77511	GASKET, (NON-ASB.)	1								
10	1	26106-080352	BOLT M 8X 35 PLATED	4								
11	1	129647-12600	BRACKET(AIR CLEANER	1								
12	1	129247-12500	CLEANER ASSY, AIR	1								
13	2	129004-12520	ELEMENT 5INCH	1								
14	2	129012-12530	BODY, AIR CLEANER	1								
15	2	119808-12540	VALVE, UNLOADER	1								
16	2	126650-12680	INDICATOR	1								

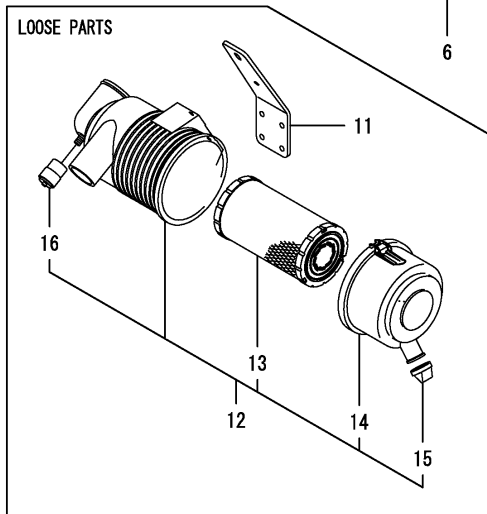
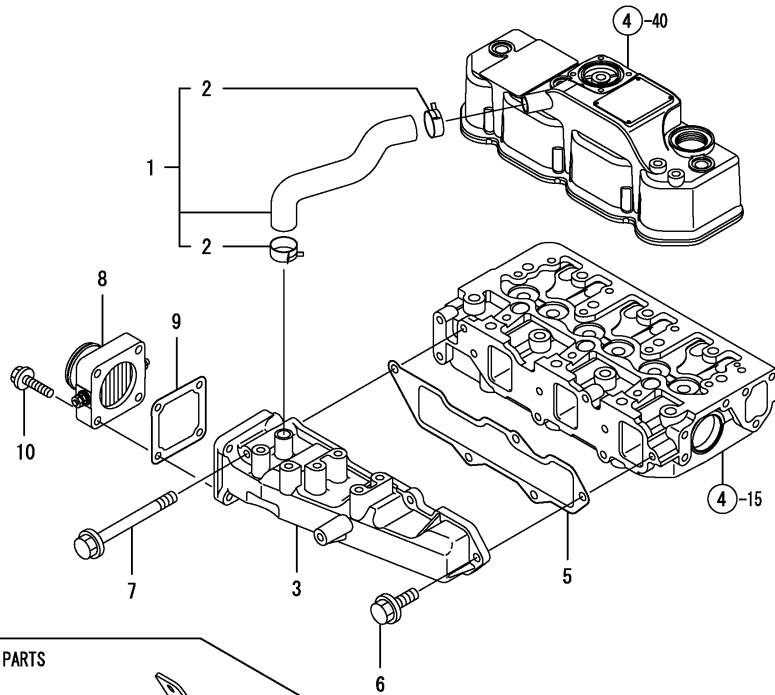


Fig.7.CAMSHAFT & DRIVING GEAR

Y00W1430 7.CAMSHAFT & DRIVING GEAR

(A)=3TNV88-GMG

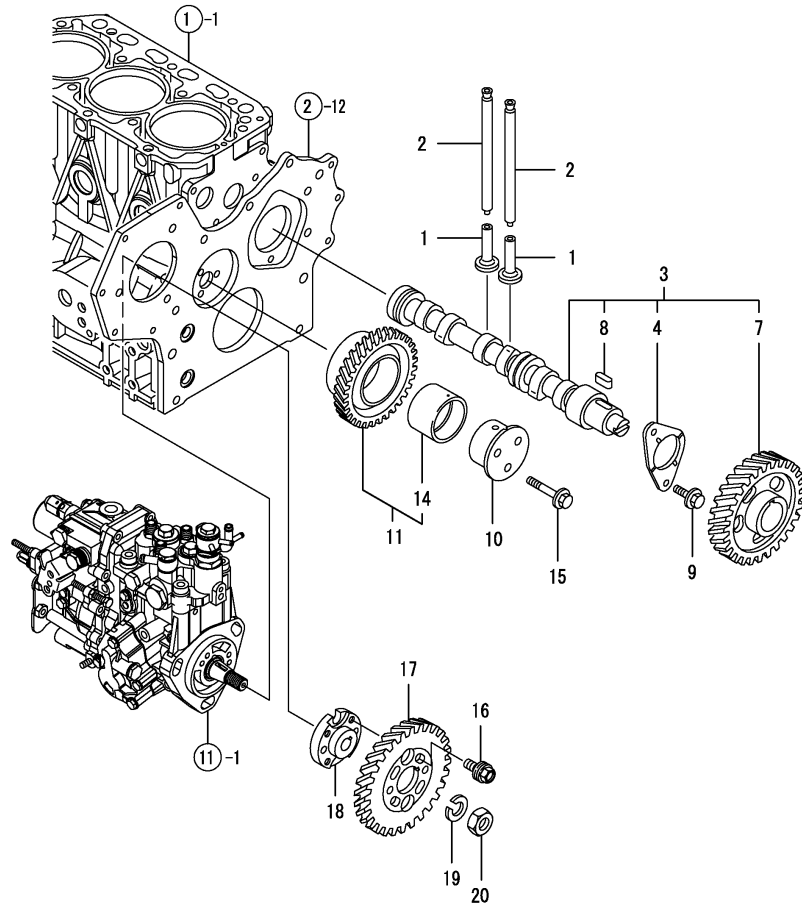
(B)=

(C)=

(D)=

(E)=

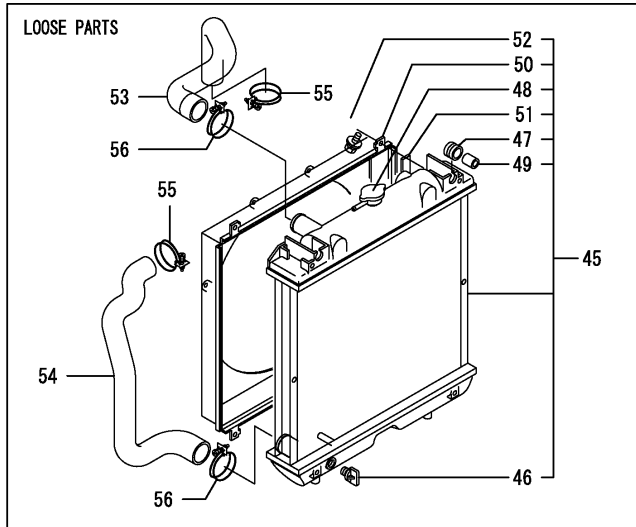
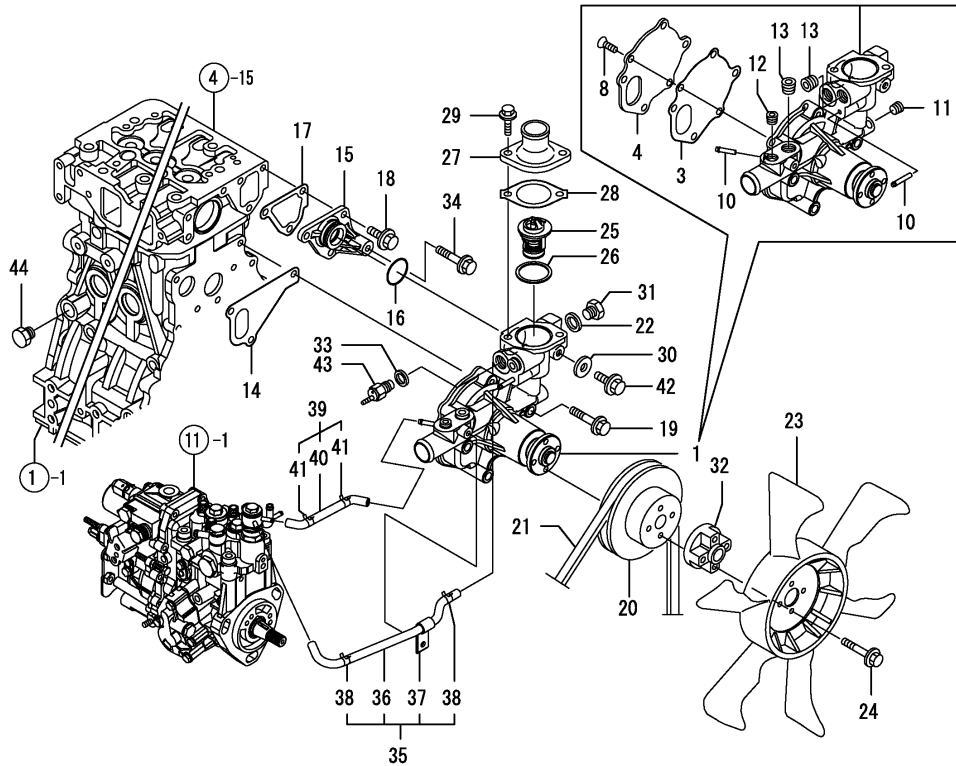
(F)=



REF.	LEV.	PARTS NO.	DESCRIPTION	Q'TY						I	R	
				(A)	(B)	(C)	(D)	(E)	(F)			
1	1	129150-14200	TAPPET	6								
2	1	129150-14400	ROD, PUSH	6								
3	1	129004-14580	CAMSHAFT ASSY	1								
4	2	129150-02450	METAL,THRUST(CAM	1								
7	2	129150-14101	GEAR, CAMSHAFT	1								
8	2	22512-070140	KEY 7X 14	1								
9	1	26106-080142	BOLT 8X 14 PLATED	2								
10	1	119802-25051	SHAFT, IDLE GEAR	1								
11	1	119802-25101	GEAR ASSY, IDLE	1								
14	2	119802-25071	BUSH, IDLE GEAR	1								1
15	1	26106-080402	BOLT M 8X 40 PLATED	3								
16	1	129150-25301	BOLT,FI-P	4								
17	1	119802-25901	GEAR, PUMP	1								
18	1	158552-51151	FLANGE	1								
19	1	22217-140000	SPRING WASHER 14	1								
20	1	26776-140002	LOCK NUT M14 PLATED	1								

Remarks
(1) REPAIR PART.

Fig.10.COOLING WATER SYSTEM



(A)=3TNV88-GMG

(B)=

(C)=

(D)=

(E)=

(F)=

REF.	LEV.	PARTS NO.	DESCRIPTION	QTY						I	R
				(A)	(B)	(C)	(D)	(E)	(F)		
1	1	129004-42001	PUMP ASSY, WATER	1							
3	2	129100-42051	GASKET, (NON-ASB.)	1							
4	2	129100-42121	PLATE	1							
8	2	121850-42410	SCREW	3							
10	2	119802-49113	JOINT	2							
11	2	23876-010000	PLUG PT1/8,SCREW	1							
12	2	23875-020000	PLUG PT1/4,STEEL	1							
13	2	129916-49740	PLUG, DRAIN R03	2							
14	1	129486-42021	GASKET	1							
15	1	129004-42040	JOINT	1							
16	1	129486-42140	O-RING,CW-P	1							
17	1	124395-49840	GASKET, THERMO. CASE	1							
18	1	26106-080162	BOLT M 8X 16 PLATED	3							
19	1	26106-080602	BOLT M 8X 60 PLATED	3							
20	1	129155-42350	V-PULLEY, C.W. PUMP	1							
21	1	119831-42290	V-BELT A37.5	1							
22	1	124465-44950	GASKET 16	1							
23	1	129030-44740	FAN (D360*UG	1							
24	1	26106-060302	BOLT M 6X 30 PLATED	4							
25	1	129155-49801	THERMOSTAT (71)	1							
26	1	129150-49811	GASKET, (NON-ASB.)	1							
27	1	129350-49530	COVER, THERMOSTAT	1							
28	1	129795-49551	GASKET, (NON-ASB.)	1							
29	1	26106-080222	BOLT M 8X 22 PLATED	2							
30	1	23414-080000	GASKET 8, ROUND	1							
31	1	121450-42450	PLUG M16	1							
32	1	121267-44760	SPACER	1							
33	1	124465-44950	GASKET 16	1							
34	1	26106-080452	BOLT M 8X 45 PLATED	1							
35	1	129004-49610	PIPE ASSY, A MP2	1							
36	2	129004-49711	PIPE ASSY, A MP2	1							
37	2	119802-49730	CLAMP,CW-T	1							
38	2	124722-59050	CLAMP 9	2							
39	1	129004-49620	PIPE ASSY, B MP2	1							
40	2	129004-49721	PIPE, WATER B MP2	1							
41	2	124722-59050	CLAMP 9	2							
42	1	26106-080122	BOLT M 8X 12 PLATED	1							
43	1	121250-44901	SWITCH, THERMO(110C	1							
44	1	171056-49120	PLUG, DRAIN	1							
45	1	129044-44500	RADIATOR ASSY	1							
46	2	129508-44550	COCK ASSY	1							
47	2	129467-44580	MOUNT RUBBER	2							
48	2	129107-44590	CAP, RADIATOR	1							
49	2	129467-44590	COLLAR	2							
50	2	129044-44600	SHROUD	1							
51	2	129601-44610	GASKET	2							
52	2	26014-060122	BOLT M 6X 12	4							
53	1	129602-49010	PIPE, COOLING WATER	1							
54	1	129612-49040	PIPE, COOLING WATER	1							
55	1	23010-038000	CLAMP 38	2							
56	1	23010-044000	CLAMP 44	2							

Fig.8.CRANKSHAFT & PISTON

Y00W1430 8.CRANKSHAFT & PISTON

(A)=3TNV88-GMG

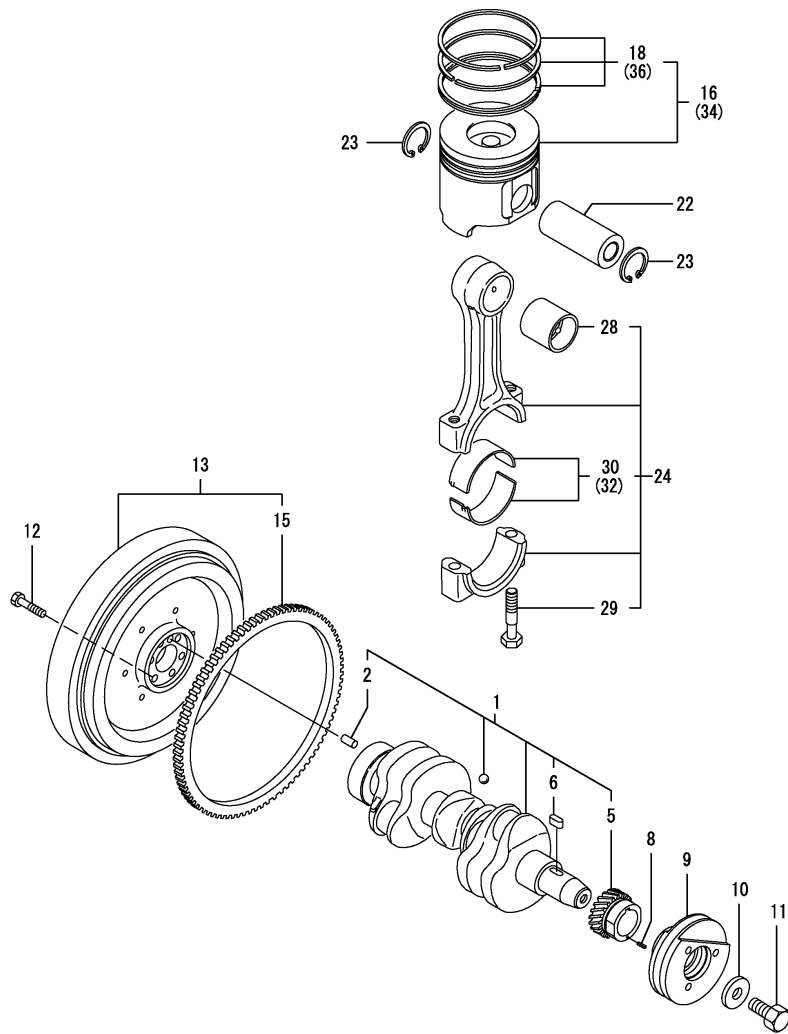
(B)=

(C)=

(D)=

(E)=

(F)=



REF.	LEV.	PARTS NO.	DESCRIPTION	QTY						I	R	
				(A)	(B)	(C)	(D)	(E)	(F)			
1	1	129004-21002	CRANKSHAFT ASSY	1								
2	2	129100-01580	PARALLEL PIN 8X16	1								
5	2	119802-21202	GEAR, CRANKSHAFT	1								
6	2	22512-070140	KEY 7X 14	1								
8	1	22351-030010	SPRING PIN 3X10	1								
9	1	129005-21650	V-PULLEY, CRANKSHAFT	1								
10	1	129795-21661	WASHER	1								
11	1	121850-21680	BOLT, V-PULLEY	1								
12	1	121111-21501	BOLT, FLYWHEEL	6								
13	1	171340-21590	FLYWHEEL W/RING GEAR	1								
15	2	124550-21600	RING GEAR	1								
16	1	129005-22080	PISTON ASSY	3								
18	2	129005-22500	RING SET, PISTON	3								
22	1	129202-22300	PIN, PISTON(D26,L70)	3								
23	1	22252-000260	CIRCLIP 26	6								
24	1	729402-23100	ROD ASSY, CONNECTING	3								
28	2	129100-23910	BUSH, PISTON PIN	3								1
29	2	121550-23200	BOLT, CONNECTING ROD	6								
30	2	129150-23601	METAL, CRANKPIN	3								
32	1	129150-23611	METAL.PIN US=0.25	3								2
34	1	129005-22900	PISTON W/RING OS=.25	3								3
36	2	129005-22950	RING SET O.S=0.25	3								3

Remarks

(1) REPAIR PART.

(2) UNDER-SIZE(U.S=0.25)PART.

(3) OVER-SIZE(O.S=0.25)PART.

Fig.1.CYLINDER BLOCK

(A)=3TNV88-GMG

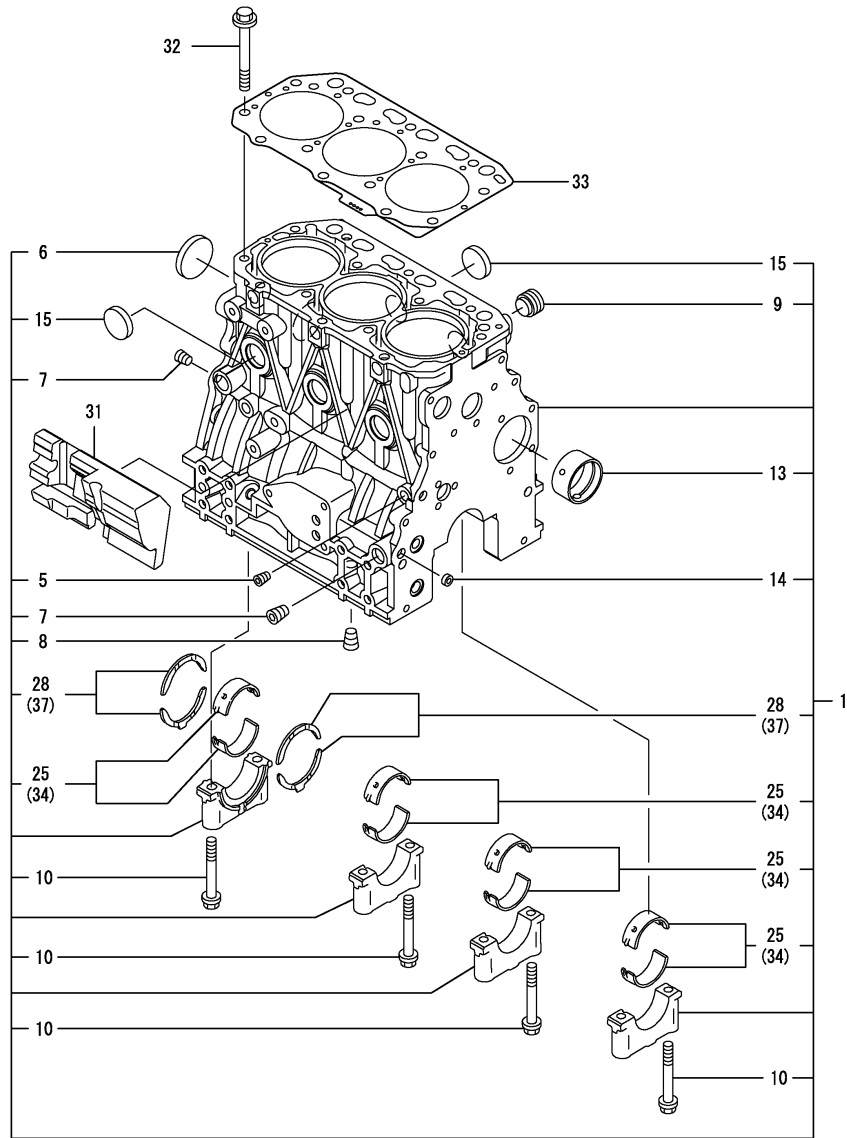
(B)=

(C)=

(D)=

(E)=

(F)=



REF.	LEV.	PARTS NO.	DESCRIPTION	Q'TY						I	R
				(A)	(B)	(C)	(D)	(E)	(F)		
1	1	729005-01560	BLOCK ASSY, CYLINDER	1							
5	2	124060-01050	PLUG PT1/8	1							
6	2	129001-01250	PLUG 50	1							
7	2	124160-01910	PLUG PT1/4	2							
8	2	124160-01910	PLUG PT1/4	1							
9	2	171051-01921	PLUG	1							
10	2	129150-02020	BOLT, METAL CAP	8							
13	2	129795-02412	BUSH, CAMSHAFT	1							
14	2	27241-120000	PLUG 12	2							
15	2	27241-300000	PLUG 30	6							
25	2	129001-02931	MAIN BEARING SET	4							3
28	2	129150-02931	METAL, THRUST	2							
31	1	129004-01190	SPACER	1							
32	1	129150-01200	STUD, CYL. HEAD	14							
33	1	129001-01340	GASKET, (NON-ASB.)	1							
34	1	129150-02871	MAIN METAL US=0.25	4							1
37	1	129150-02941	METAL,THRUST.25(2PIE	1							2

Remarks

- (1) UNDER-SIZE(U.S=0.25)PART.
- (2) OVER-SIZE(O.S=0.25)PART.
- (3) REPAIR PART.