

# MPL “A” series

# MPL 111A

Max. power 111 kVA



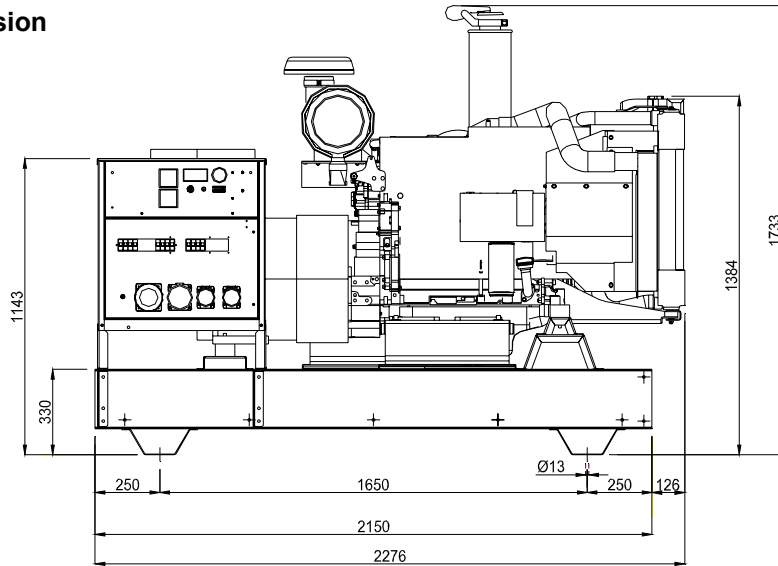
MPL 111A		
a.c. output 50 Hz. 3 ph power factor	400 V	stand-by <sup>(1)</sup> prime <sup>(2)</sup> 111 kVA 106 kVA 0,8
fuel starting		Diesel Electric
alternator		Synchronous
engine type intake cooling displacement cylinders prime power RPM	c.c.    HP	Deutz BF4M 1013 EC turbo/intercooler Water 4764 4 97,3 1500
tank capacity 3/4 load operating hours	lt. h	73 4

<sup>(1)</sup> **Stand-by power:**  
power available for emergency

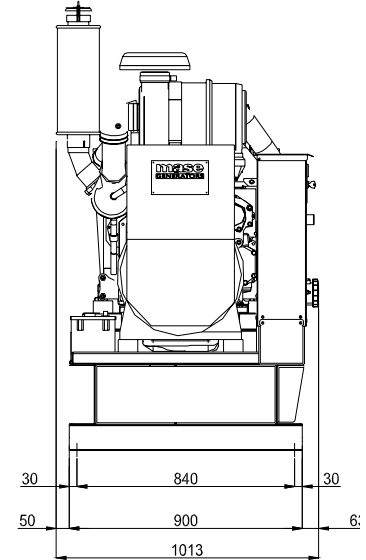
<sup>(2)</sup> **Prime power:** maximum power  
available at variable loads for an  
unlimited numbers of hours

# MPL 111 A

Base version



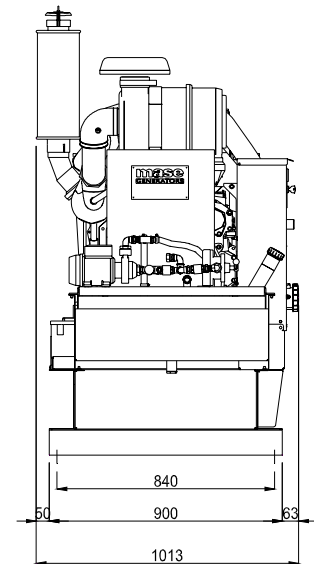
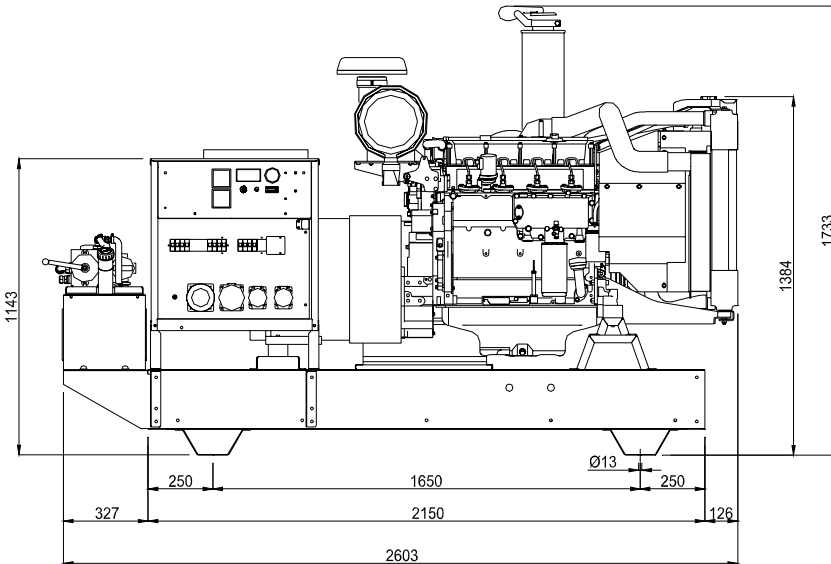
WEIGHT	1305 - 2900	kg - lbs
--------	-------------	----------



Base version  
+ automatic top-up device as MISA rules

MPL 111A

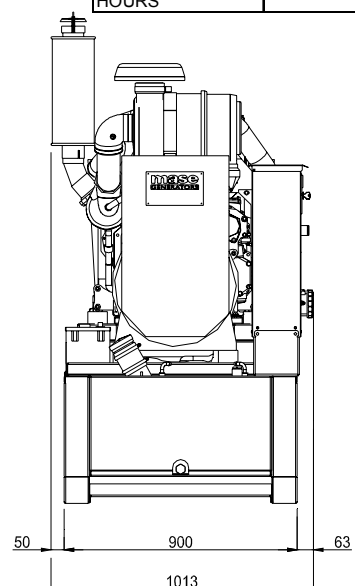
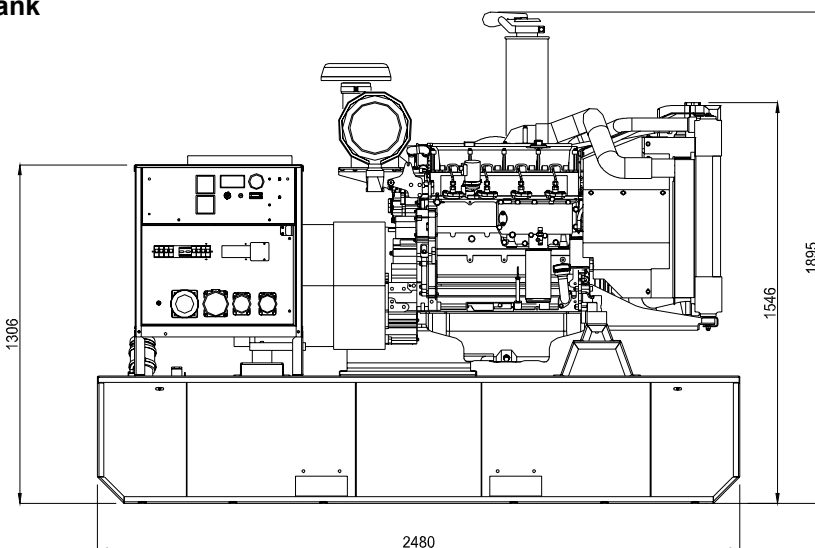
WEIGHT	nd	kg - lbs
¾ LOAD OPER. HOURS	nd	h



Version with  
500 lt.  
Fuel tank

MPL 111A

WEIGHT	1960 - 4320	kg - lbs
¾ LOAD OPER. HOURS	36	h



# Control panels

---

## MPL “A” series

---

### CONTROL PANEL

- Start/stop key
- Operation and Alarms
- Ammeter
- Voltmeter
- Hourmeter
- Fuel level gauge

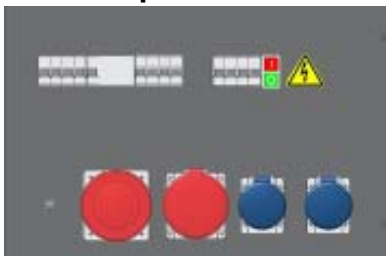


### POWER CUBICLE

- Circuit breaker
- Power cables - terminal board
- Connection for remote starting panel

---

### OPTIONAL: Sockets panel



### OPTIONAL : Earth fault device



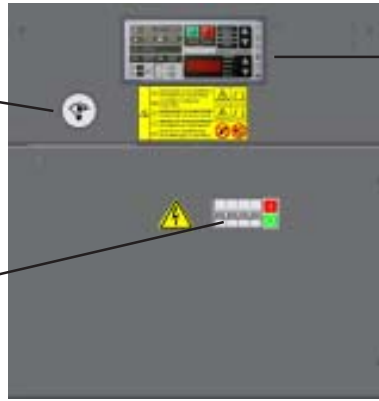
- Circuit breaker / differential protection for sockets
- No. 1 EEC socket 63 Amps. 400 V
- No. 1 EEC socket 32 Amps. 400 V
- No. 2 EEC socket 16 Amps. 230 V

## OPTIONAL: Automatic starting

Automatic Transfer Switch in a separate box

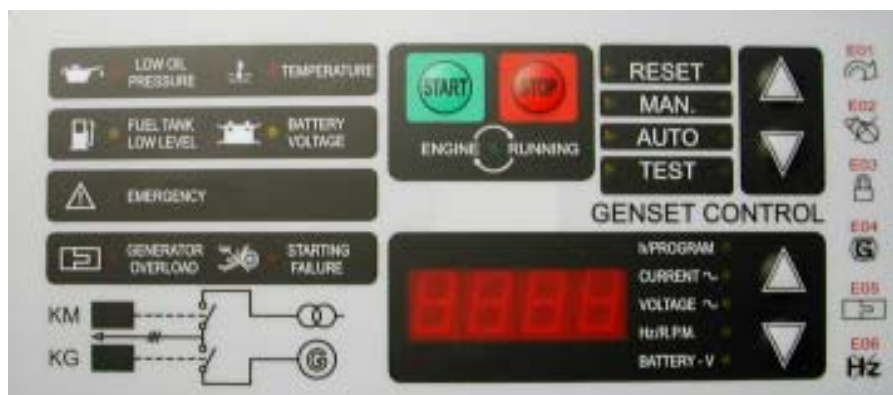
- Fuel level gauge

- Circuit breaker



## Digital Genset Control

- Automatic test
- n° 20 alarms
- n° 9 genset parameters
- n° 30 programming keys
- n° 4 operating mode



## OPTIONAL :

Remote control panel with 50 mt. cable

Water heater

Automatic top-up device for on-board tank with retention bund

Distributore:

**mase**  
**GENERATORS**

MASE GENERATORS S.p.A. Via Tortona, 345  
47023 Cesena (FC) Italy  
Tel.+39-0547-354311 Fax.+39-0547-317555  
Email : mase@masegenerators.com  
www.masegenerators.com