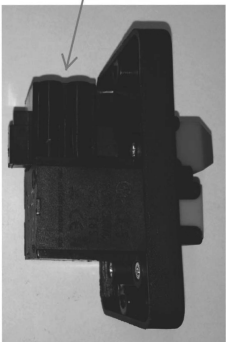
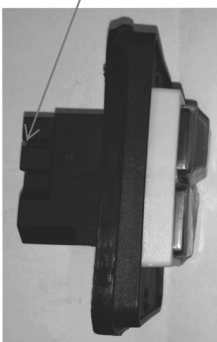


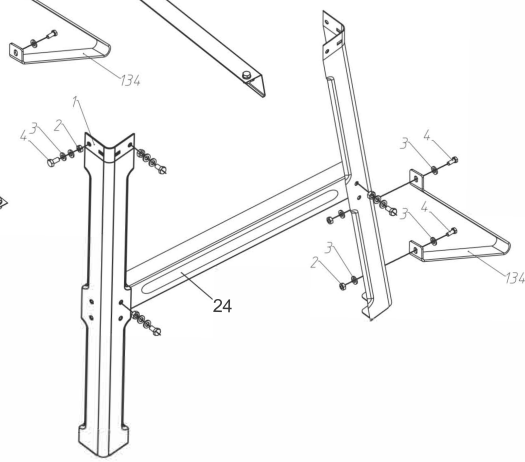
26a - alt bis März 2011  
(Anschluss oben)



26b - neu ab April 2011  
(Anschluss hinten)



26c - neu ab Januar 2014  
mit MSS 230V/6A





5901306903

Table Saw HS100E  
scheppach - 230V 50Hz  
1500W - 10"

**Main products**

**Spare part list**

5901306903

131313 - 0123 - st10e / HS100e / HS100E - -

Spare	Description	additional	Item	Abb.	Construct	Status
3901305024	foot part 1 color black		1	A	*	
3901305025	bar part 5		5	A	*	
3901305012	hand wheel cpl. part 11-14,23-24		10-14, 23-24	A	*	
3901301022	chain wheel part 124		15	A	*	
3901305053	spindle	Ø10x160mm	17	A	*	
3901305013	strap part 20		20	A	*	
3901305011	switch CK-5	10(8)A 250VAC 5E4	26a	A	*	
3901305052	switch		26b	A	*	
88000077	On / Off switch	10 (8)A / 250V KJD20	26c	A	*	
05006124	Clamping lever, adjustable	M6	29	A	*	
02902106	washer	A6.4 Ø18/6.4x1.5	30	A	*	
02060313	SAUCER-HEAD SCREW M6x16 4.6 603 VZ	M6x16	31	A	*	
3901301033	tension spring part 149		35	A	*	
3901301022	chain wheel part 124		36	A	*	
3901305030	rack part 44		44	A	*	
3901305023	fence profile part 56		56	A	*	not available anymore
3901301041	drive wheel part 134		66	A	*	
3901305010	motor 2000W 230V 50Hz part 67	1,5kW/230-240V/50Hz B14	67	A	*	
02091620	Threaded pin	M6x8 45H galvanized DIN196	68	A	*	
3906107040	Screw part 29		69	A	*	
3901301016	ribbed-belt	6PJx251 x 14x3,8	70	A	*	
3901301045	belt pulley part 126		72	A	*	
3901305022	inner saw blade flange w. shaft part 82 +73		73+82	A	*	
01688598	feather key	A4x4x8 ST 6885 BK	74	A	*	
06206003	DEEP-GROOVE BALL BEARING 6003-2Z/QE6	6003-2Z/QE6	75	A	*	





5901306903

Table Saw HS100E  
scheppach - 230V 50Hz  
1500W - 10"

Main products

Spare part list

5901306903

131313 - 0123 - st10e / HS100e / HS100E - -

Spare	Description	additional	Item	Abb.	Construct	Status
3901305044	spring collar part 76		76	A	*	not available anymore
3901305045	engine bracket part 77		77	A	*	not available anymore
3901305046	spacer part 79		79	A	*	
3901305033	splitting wedge part 83		83	A	*	
3901305055	sawblade guard inside part 86		86	A	*	
3901306701	HW saw blade Ø 250 x 30 x 2,4 x 1,8 mm / T 24		87	A	*	
3901301019	saw blade flange external part 105		88	A	*	
3901301020	hexagonal nut part 104		89	A	*	
3901305036	side plate part 94		94	A	*	
3901302025	suction hose		95	A	*	
3901304018	suction connector part 1065		97	A	*	
3901305048	Table part 104		104	A	*	
3901305015	suction hood cpl. part 105-108		105-108	A	*	
3901305021	fence cpl. mounted		109-119, 126, <del>128-</del> 129, 133		*	
3901304037	stop bar		119	A	*	
05006311	wing nut	P 120 32 16 PA6/ST PELTZER	128	A	*	
02799104	screw	M4x16	131	A	*	
3901305016	table insert		132	A	*	
02060318	saucer-head screw	M6x40	133	A	*	
3901305054	support foot (set = 2 pcs.) part 134		134	A	*	
3901305020	wrench part 135		135	A	*	
3901305017	mitre gauge cpl. part A120-A125, A127-A129, A134-A137		A120-A125+A127- A129+A134-A137		*	
3901305038	end cap part A-134		A134	A	*	
3901305056	scale part w/o		o.Abb	A	*	
3901301215	spindle nut for height adjustment part 80		o.Abb.	A	*	



5901306903

Table Saw HS100E  
scheppach - 230V 50Hz  
1500W - 10"

**Main products**

**Spare part list**

5901306903

131313 - 0123 - st10e / HS100e / HS100E - -

Spare	Description	additional	Item	Abb.	Construct	Status
3901305040	rubber foot		o.Abb.	A	*	
3901305041	screw bag		o.Abb.	A	*	
3901305049	screw bag for table width extension		o.Abb.	A	*	
3901305050	rotor		o.Abb.	A	*	not available anymore
3901305051	stator		o.Abb.	A	*	not available anymore
3901305047	carbon brush caps (set = 2 pcs.)		o.Abb.	A	*	not available anymore
3901305018	bar für table width extension part without drawing		o.Abb.	A	*	not available anymore
3901305019	table width extension part without drawing		o.Abb.	A	*	not available anymore
3901305701	table width extension cpl with mounting parts (set =2 pcs)		o.Abb.	A	*	
3901304028	carbon brush	19.5x10.8x6.2	o.Abb.	A	*	
3902202011	thermo protector part 61	230V/6A	zu Teil 26c	A	*	
3901305057	switch cover		zu Teil 26c	A	*	

!!! Do you know: From now on you can view spare parts lists in our spare parts shop and order spare parts and accessories directly. More information can be found here: <https://www.scheppach.com/Shop.aspx>