

---

**ED3A8721**

---

**Spare Parts Catalogue**

---

**LGW523MPI**

**Update Date 30/05/2016**

**Print Date 09/06/2016**

---

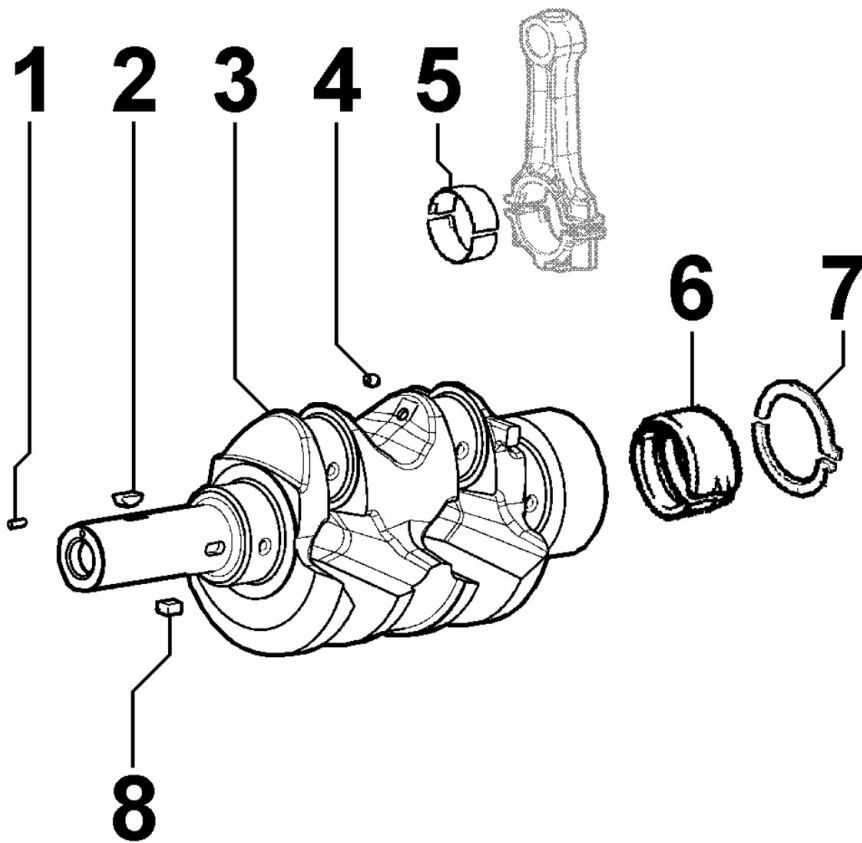
**KOHLER** Engines



## Tavola ricambi

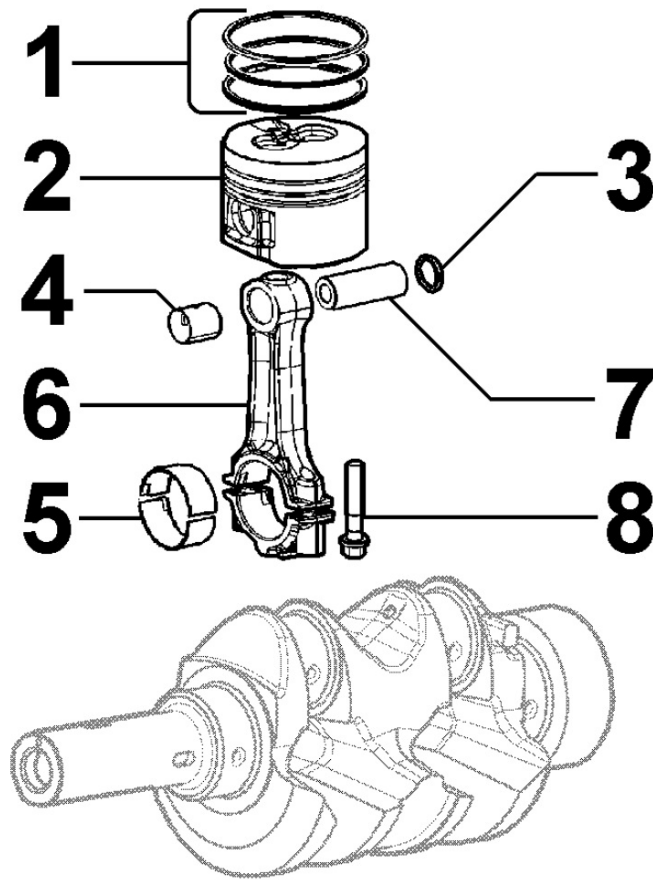
| Index      | Description                       |
|------------|-----------------------------------|
| 8010350010 | CRANKSHAFT                        |
| 8011350040 | PISTON / CONNECTING ROD           |
| 8012350220 | FLYWHEEL                          |
| 8014350050 | PULLEYS / BELT                    |
| 8020350060 | CRANKCASE                         |
| 8021350070 | CYLINDER HEAD                     |
| 8022350040 | HEAD COVER                        |
| 8023350010 | FLYWHEEL SIDE SUPPORT             |
| 8025350030 | ENGINE MOUNTS                     |
| 8031350150 | MISSING                           |
| 8035350080 | CAMSHAFT                          |
| 8036350050 | ROCKER ARMS / VALVES              |
| 8038350070 | TIMING GEAR                       |
| 8040350050 | OIL PUMP                          |
| 8042350010 | OIL FILTER                        |
| 8043350130 | OIL DIPSTICK                      |
| 8045350100 | BREATHER SYSTEM                   |
| 8050350030 | SPEED GOVERNOR                    |
| 8071350090 | COOLING FAN                       |
| 8074350120 | THERMOSTAT UNIT                   |
| 8075350070 | WATER INLET FLANGE                |
| 8077350030 | WATER PUMP                        |
| 8079350040 | FITTING FOR CAB HEATING           |
| 8080350090 | AIR INLET MANIFOLD / AIR FILTER   |
| 8081350090 | AIR CLEANER                       |
| 8085350090 | EXHAUST GAS MANIFOLD              |
| 8087350010 | EXHAUST GAS ACCESSORIES           |
| 8100350160 | VOLTAGE ALTERNATOR                |
| 8101350010 | STARTING MOTOR                    |
| 8102350020 | OIL PRESSURE SWITCH               |
| 8103350100 | ELECTRIC DASHBOARD / ENGINE WIRES |
| 8140350010 | HYDRAULIC PUMP ADAPTER ON 3rd PTO |
| 8160350170 | ENGINE BELL / BACKPLATE           |
| 8171350160 | BELT GUARD                        |
| 8190350080 | VARIOUS ACCESSORIES               |
| 8198350180 | SPECIAL DETACHED COMPONENTS       |


8010350010 - CRANKSHAFT



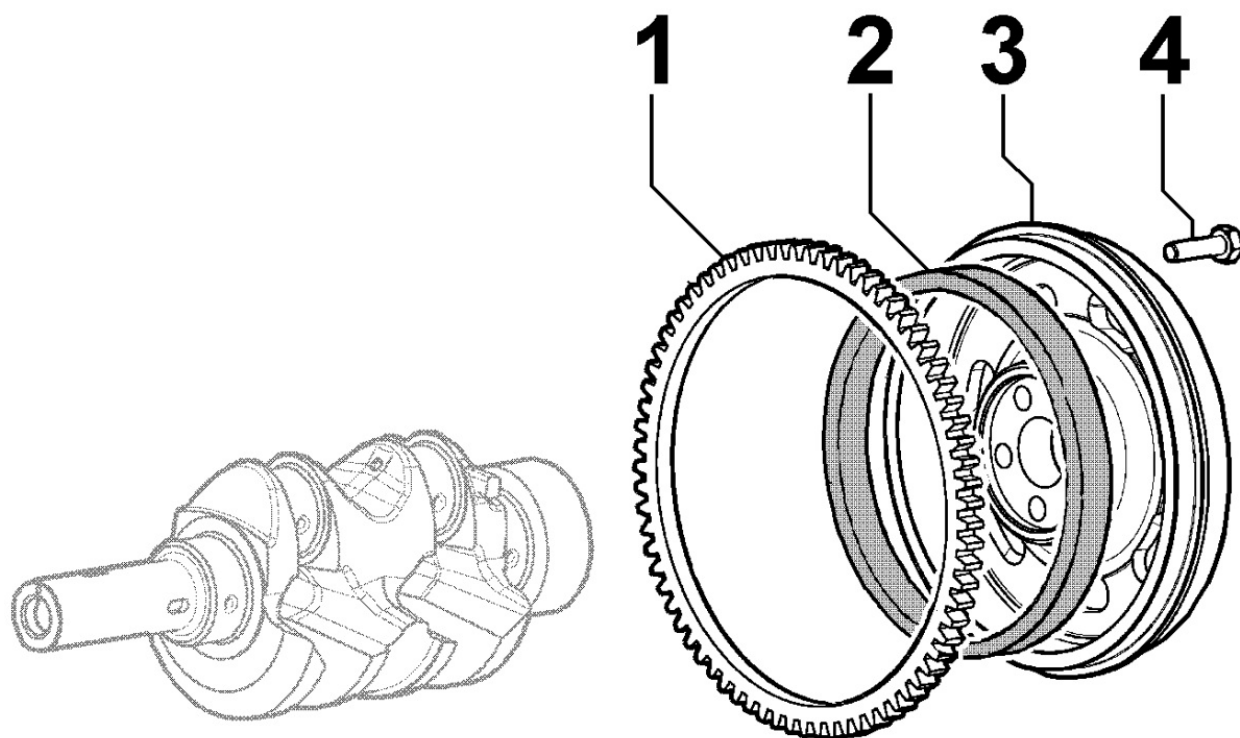
| Pos | Kit | Included In | Code           | Description                | Qty | Old Code | Tech. Info |
|-----|-----|-------------|----------------|----------------------------|-----|----------|------------|
| 1   |     | (A)         | ED0084300040-S | PIN                        | 1   |          |            |
| 2   |     | (A)         | ED0022801190-S | KEY                        | 1   |          |            |
| 3   | (A) |             | ED0010509540-S | ALB.GOMITO/CRANKSHAFT D ** | 1   |          |            |
| 4   |     | (A)         | ED0090801320-S | CAP                        | 2   |          |            |
| 5   |     | (A)         |                | 801135...0                 |     |          |            |
| 6   |     | (A)         |                | 802035...0                 |     |          |            |
| 7   |     | (A)         |                | 802035...0                 |     |          |            |
| 8   |     | (A)         | ED0022801490-S | KEY                        | 1   |          |            |

8011350040 - PISTON / CONNECTING ROD



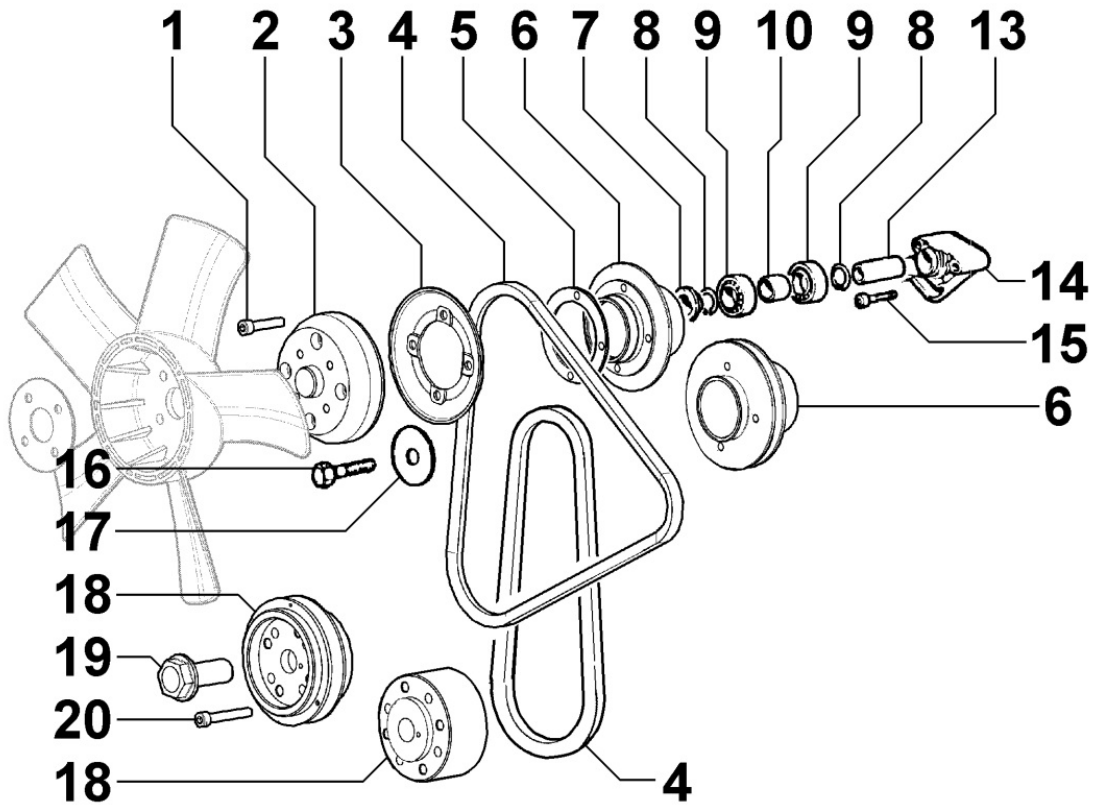
| Pos | Kit | Included In | Code           | Description              | Qty | Old Code | Tech. Info  |
|-----|-----|-------------|----------------|--------------------------|-----|----------|---|
| 1   |     | (A)         | ED0082112420-S | RINGS STAND.             | 2   |          |   |
| 1   |     | (A)         | ED0082112430-S | S.SEGM./RINGS +0,5 ,D CR | 2   |          |   |
| 1   |     | (A)         | ED0082112440-S | S.SEGM./RINGS +1 ,D CR   | 2   |          |   |
| 2   | (A) |             | ED0065018620-S | PISTONE/PISTON STD. FV C | 2   |          |   |
| 2   | (A) |             | ED0065018630-S | PISTONE/PISTON +0,5 N    | 2   |          |   |
| 2   | (A) |             | ED0065018640-S | PISTONE/PISTON +1 N      | 2   |          |   |
| 3   |     | (A)         | ED0012610910-S | GROMMET                  | 4   |          |   |
| 4   |     | (B)         | ED0016300350-S | S.ENDBRNG                | 1   |          |   |
| 5   |     |             | ED0016401160-S | BEARING STD              | 2   |          |   |
| 5   |     |             | ED0016401170-S | BEAR.-0.25               | 2   |          |   |
| 5   |     |             | ED0016401180-S | BEAR.-0.50               | 2   |          |   |
| 6   | (B) |             | ED0015262700-S | CONNECTING ROD           | 2   |          |  |
| 7   |     | (A)         | ED0084800870-S | PISTON PIN               | 2   |          |   |
| 8   |     | (B)         | ED0017701010-S | BOLT                     | 4   |          |   |

8012350220 - FLYWHEEL



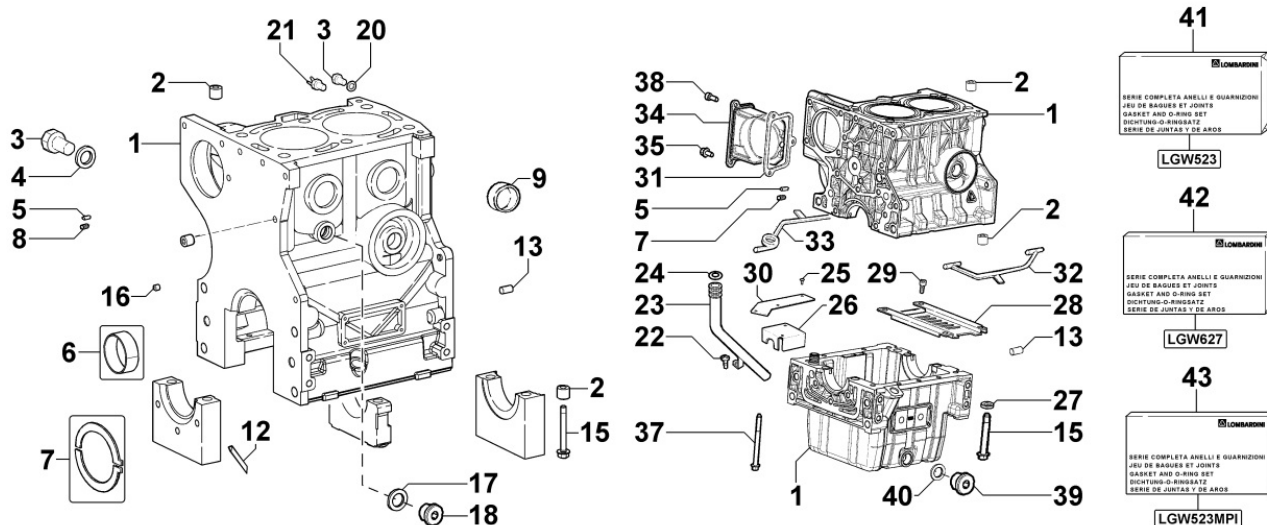
| Pos | Kit | Included In | Code           | Description | Qty | Old Code       | Tech. Info |
|-----|-----|-------------|----------------|-------------|-----|----------------|------------|
| 1   |     |             | KDISC.         |             | 1   | ED0028160870-S |            |
| 2   |     | (A) (B)     | ED0020020200-S | ROTOR       | 1   |                |            |
| 4   |     |             | ED0017800970-S | BOLT        | 5   |                |            |

8014350050 - PULLEYS / BELT



| Pos | Kit | Included In | Code           | Description         | Qty | Old Code | Tech. Info |
|-----|-----|-------------|----------------|---------------------|-----|----------|------------|
| 1   |     |             | ED0097320160-S | CAPSCREW            | 4   |          |            |
| 3   |     |             | ED0080750950-S | H.PULLEY            | 1   |          |            |
| 4   |     |             | ED0024403060-S | CINGHIA/VEEBELT F C | 1   |          |            |
| 5   |     |             | ED0075500160-S | WASHER              | 2   |          |            |
| 5   |     |             | ED0075500200-S | WASHER              | 4   |          |            |
| 6   | (A) |             | ED0070511660-S | PULLEY              | 1   |          |            |
| 6   |     | (A)         | ED0080751000-S | SEMIPULEGGIA/PULLEY | 1   |          |            |
| 7   |     |             | ED0075900070-S | WASHER              | 1   |          |            |
| 8   |     | (A)         | ED0012400390-S | SNAP RING           | 2   |          |            |
| 9   |     | (A)         | ED0030020320-S | BEARING             | 2   |          |            |
| 10  |     | (A)         | ED0034660460-S | SPACER              | 1   |          |            |
| 13  |     | (A)         | ED0062050280-S | PIN                 | 1   |          |            |
| 14  |     |             | ED0088500530-S | SUPPORT             | 1   |          |            |
| 15  |     |             | ED0097300310-S | ALLEN SCREW         | 3   |          |            |
| 16  |     |             | ED0017700220-S | BOLT                | 1   |          |            |
| 17  |     |             | ED0075150060-S | WASHER              | 1   |          |            |
| 18  |     |             | ED0070511440-S | PULLEY              | 1   |          |            |
| 19  |     |             | ED0098653190-S | SCREW               | 1   |          |            |

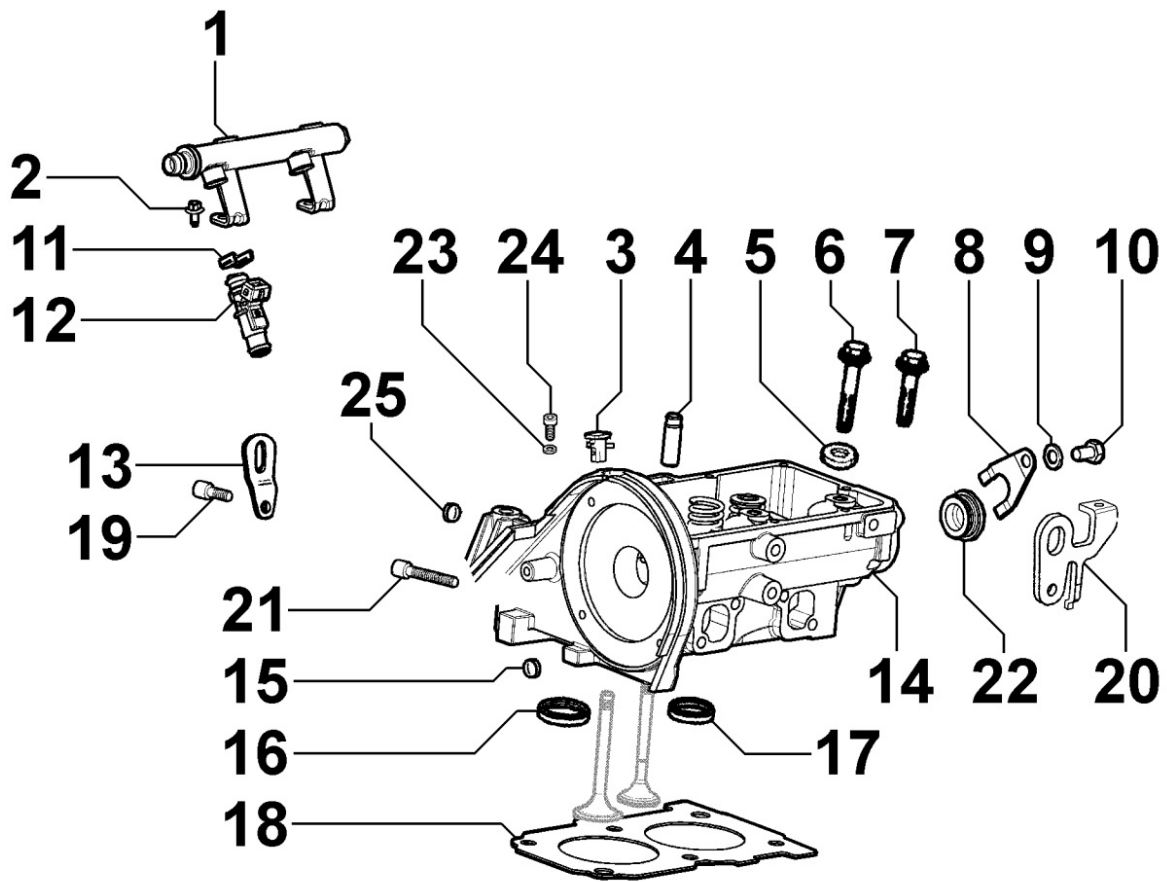
8020350060 - CRANKCASE



| Pos | Kit | Included In | Code           | Description                          | Qty | Old Code | Tech. Info |
|-----|-----|-------------|----------------|--------------------------------------|-----|----------|------------|
| 2   |     |             | ED0019701400-S | SLEEVE                               | 2   |          | ⚠          |
| 5   |     |             | ED0084301050-S | TAPER PIN                            | 1   |          |            |
| 7   |     |             | ED0012570810-S | THRUST BEARING                       | 2   |          | ⚠          |
| 7   |     |             | ED0012570820-S | THRUST BEARING +0.1                  | 2   |          | ⚠          |
| 7   |     |             | ED0012570830-S | THRUST BEARING +0.2                  | 2   |          | ⚠          |
| 8   |     | (A)         | ED0089650970-S | CAP M14x1,5                          | 1   |          |            |
| 13  |     |             | ED0084001400-S | SPINA CIL./PARAL.PIN N 10            | 1   |          |            |
| 15  |     | (A)         | ED0098201200-S | SCREW                                | 4   |          |            |
| 22  |     | (A)         | ED0098201680-S | SELF-TAPPING SCREW 3,9x9,5           | 1   |          |            |
| 23  |     | (A)         | ED0093201820-S | TUBO/TUBE N                          | 1   |          |            |
| 24  |     |             | ED0012000760-S | O RING                               | 2   |          |            |
| 25  |     | (A)         | ED0074810540-S | RIVETTO/RIVET N 10                   | 6   |          |            |
| 26  |     | (A)         | ED0037401560-S | FILTRO OL./OIL FILTER D I            | 1   |          |            |
| 27  |     | (A)         | ED0076251300-S | WASHER                               | 4   |          |            |
| 30  |     | (A)         | ED0050900300-S | LAMIERA/PANEL N 10                   | 1   |          |            |
| 31  |     |             | ED0044600380-S | GUARNIZIONE/GASKET S 10              | 1   |          |            |
| 32  |     |             | ED0045050420-S | GASKET BETWEEN INF.AND SUP.CRANKCASE | 1   |          |            |
| 33  |     |             | ED0045050430-S | GASKET BETWEEN INF.AND SUP.CRANKCASE | 1   |          |            |
| 34  |     |             | ED0065844950-S | VOLUTA/WATERPUMP SEAT N              | 1   |          |            |
| 35  |     |             | ED0017601300-S | BOLT                                 | 2   |          |            |
| 37  |     |             | ED0017601310-S | BOLT                                 | 9   |          |            |
| 37  |     |             | ED0017601350-S | BULLONE/BOLT N 10                    | 4   |          |            |
| 38  |     |             | ED0098000610-S | CAPSCREW                             | 1   |          |            |
| 39  |     |             | ED0090400260-S | CAP                                  | 2   |          |            |
| 40  |     |             | ED0046700880-S | GASKET                               | 2   |          |            |
| 41  |     |             | ED0082050750-S | SERIE/GASK.+ O.R. SET,S              | 1   |          | ⚠          |
| 42  |     |             | ED0082050790-S | GASK.+O.R.SET                        | 1   |          | ⚠          |
| 43  |     |             | ED0082051280-S | SERIE GUARNIZIONI/GASKET SET         | 1   |          | ⚠          |

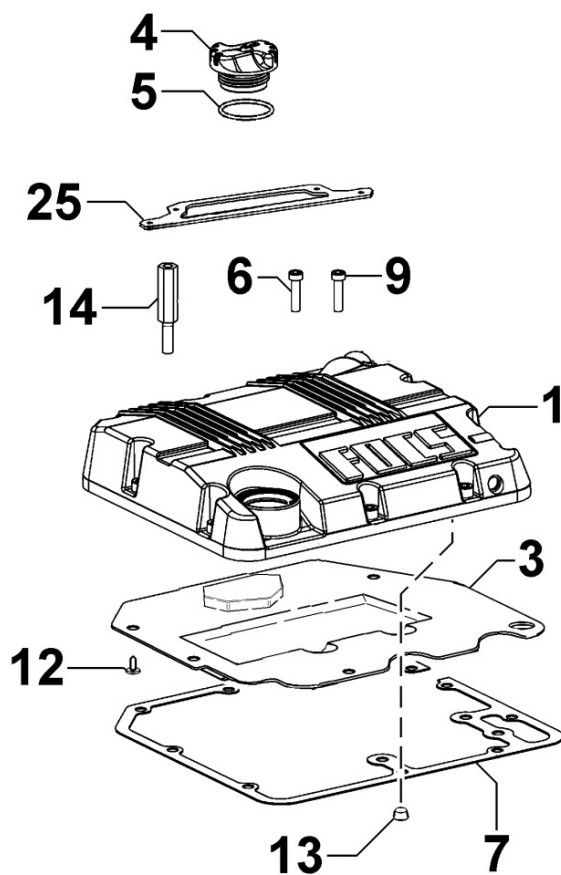


8021350070 - CYLINDER HEAD



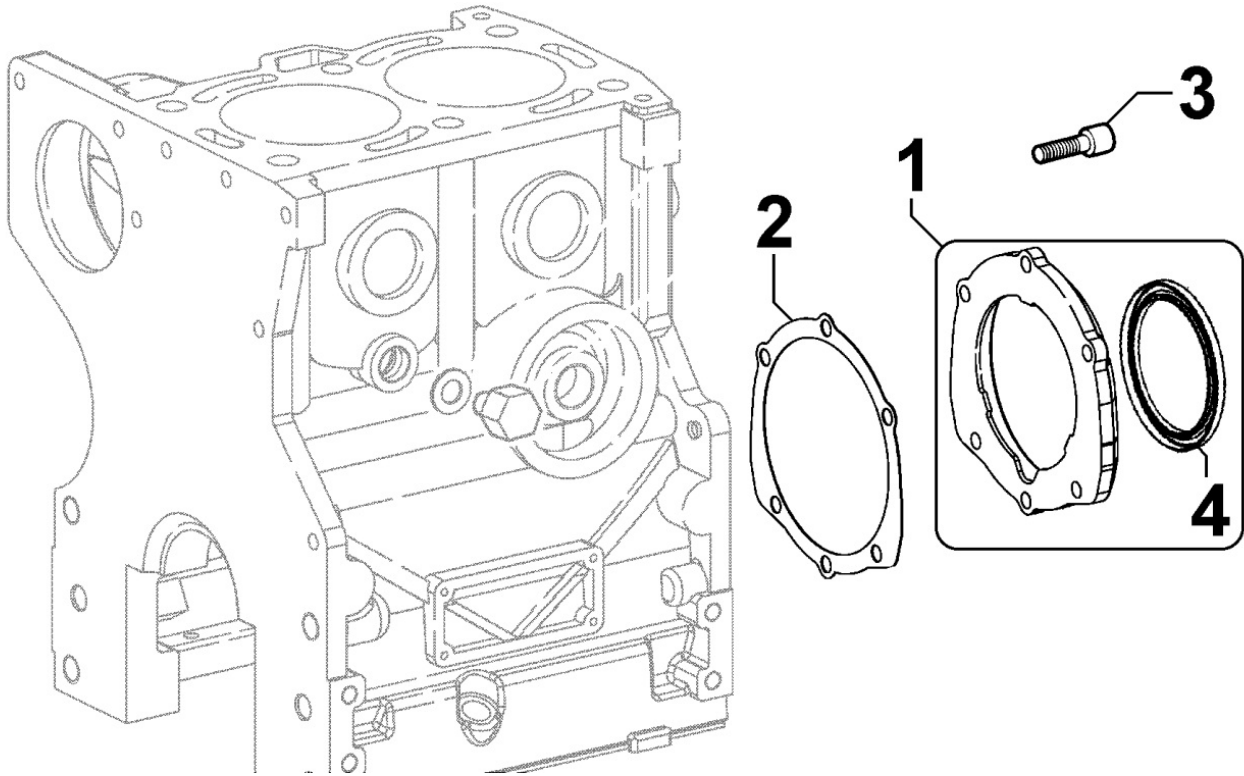
| Pos | Kit | Included In | Code           | Description            | Qty | Old Code | Tech. Info |
|-----|-----|-------------|----------------|------------------------|-----|----------|------------|
| 1   |     |             | ED0093700980-S | TUBO COMB./FUEL TUBE D | 1   |          |            |
| 2   |     |             | ED0017601300-S | BOLT                   | 2   |          |            |
| 3   |     |             | ED0090001740-S | TAPPO/PLUG             | 1   |          |            |
| 4   |     | (A)         | ED0048452000-S | GUIDE                  | 4   |          |            |
| 5   |     |             | ED0076251300-S | WASHER                 | 6   |          |            |
| 6   |     |             | ED0098202060-S | SCREW M10X90           | 5   |          |            |
| 7   |     |             | ED0098202070-S | VITE/SCREW             | 1   |          |            |
| 8   |     |             | ED0055700190-S | SPRING                 | 1   |          |            |
| 9   |     |             | ED0076250100-S | WASHER                 | 1   |          |            |
| 10  |     |             | ED0017701270-S | BOLT                   | 2   |          |            |
| 11  |     |             | ED0056750190-S | MOLLA/SPRING D 10      | 2   |          |            |
| 12  |     |             | ED0050100520-S | INIETTORE/HOLDER D     | 2   |          |            |
| 13  |     |             | ED0085459390-S | BRACE                  | 2   |          |            |
| 14  | (A) |             | ED0092007640-S | CYLINDER HEAD          | 1   |          |            |
| 15  |     | (A)         | ED0089900470-S | CAP                    | 1   |          |            |
| 16  |     | (A)         | ED0080002260-S | VALVE SEAT             | 2   |          |            |
| 17  |     | (A)         | ED0080002270-S | VALVE SEAT             | 2   |          |            |
| 18  |     |             | ED0047308790-S | HEAD GASKET            | 1   |          |            |
| 19  |     |             | ED0097300240-S | ALLEN SCREW            | 2   |          |            |


8022350040 - HEAD COVER



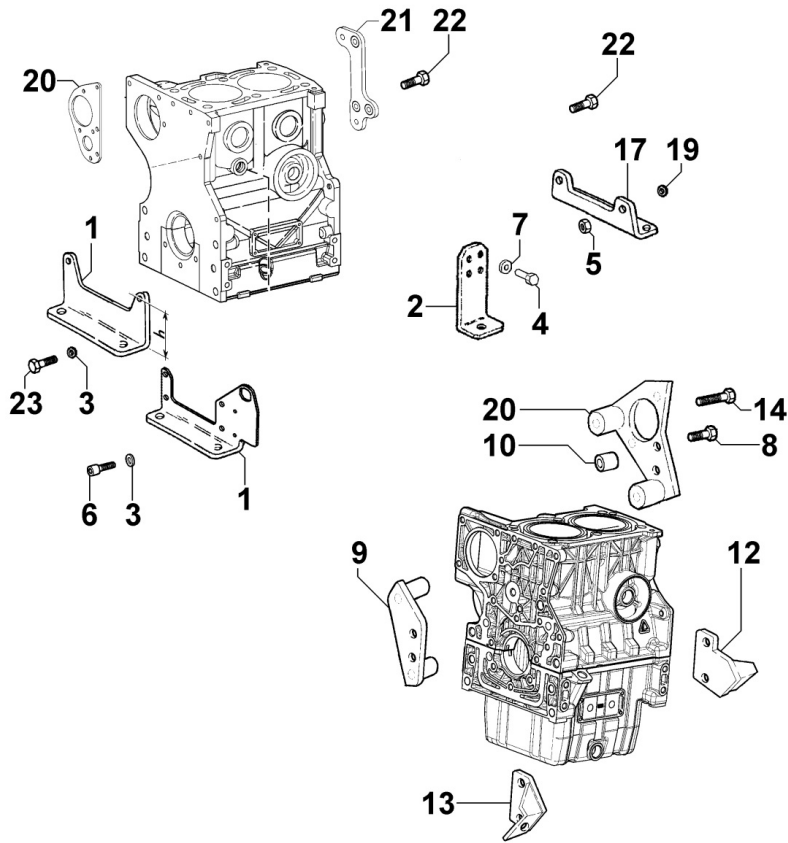
| Pos | Kit | Included In | Code           | Description | Qty | Old Code       | Tech. Info |
|-----|-----|-------------|----------------|-------------|-----|----------------|------------|
| 1   |     |             | KV.M.          |             | 1   | ED0021253220-S |            |
| 4   |     |             | ED0090320940-S | FILLER CAP  | 1   |                |            |
| 6   |     |             | ED0097300120-S | SCREW       | 8   |                |            |
| 7   |     |             | ED0044000760-S | GASKET      | 1   |                |            |
| 13  |     | (A)         | ED0090801330-S | CAP         | 1   |                |            |

8023350010 - FLYWHEEL SIDE SUPPORT



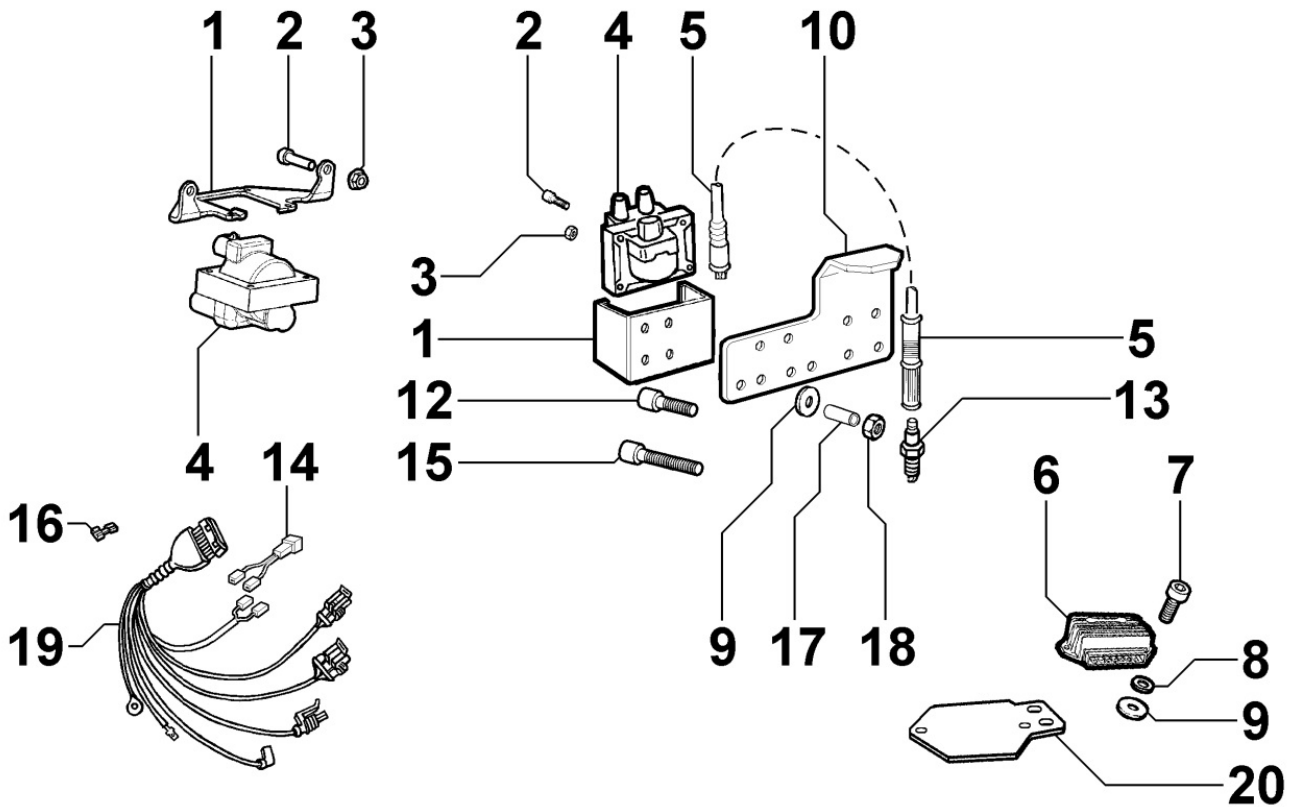
| Pos | Kit | Included In | Code           | Description | Qty | Old Code | Tech. Info  |
|-----|-----|-------------|----------------|-------------|-----|----------|---|
| 1   |     |             | ED0037900790-S | FLANGE      | 1   |          |   |
| 2   |     |             | ED0045011560-S | GASKET      | 1   |          |  |
| 3   |     |             | ED0097300150-S | SCREW       | 4   |          |   |
| 4   |     |             | ED0012133470-S | SEAL RING   | 1   |          |   |

8025350030 - ENGINE MOUNTS



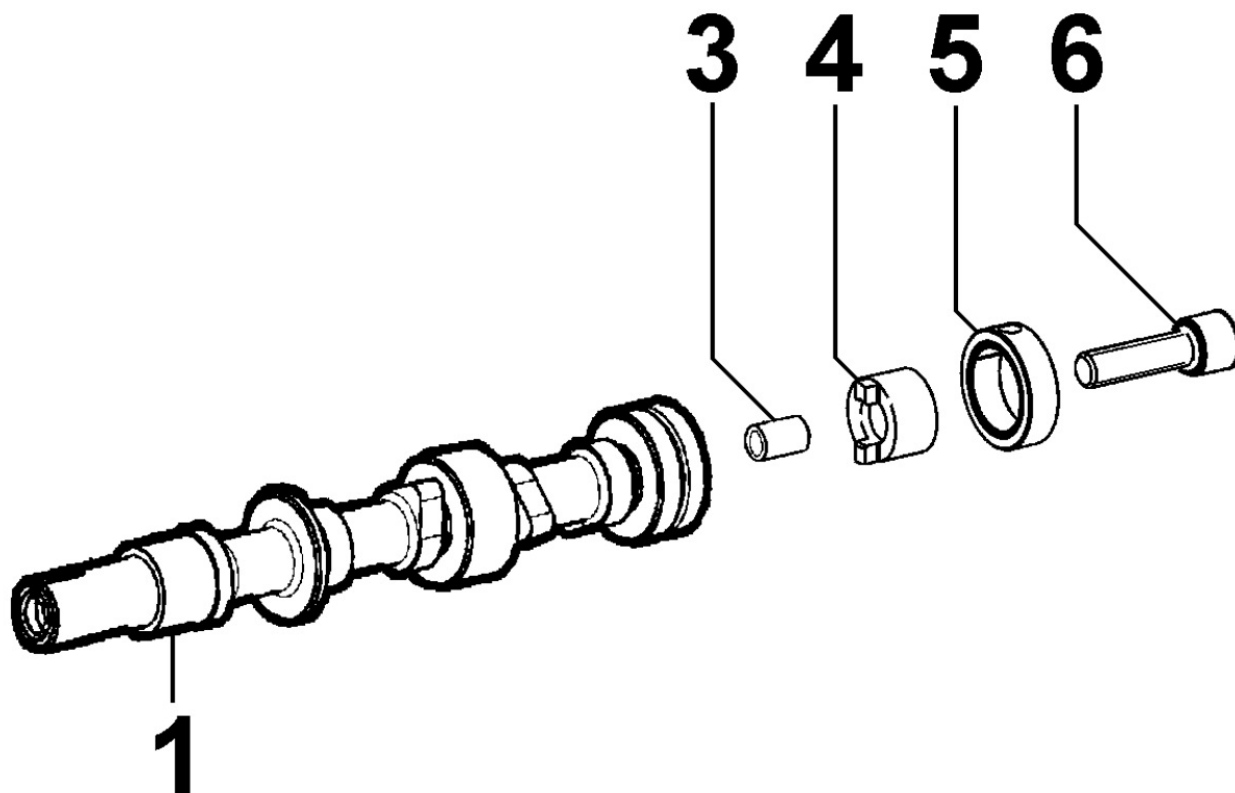
| Pos | Kit | Included In | Code           | Description | Qty | Old Code | Tech. Info |
|-----|-----|-------------|----------------|-------------|-----|----------|------------|
| 8   |     |             | ED0097300240-S | ALLEN SCREW | 8   |          |            |

8031350150 - MISSING



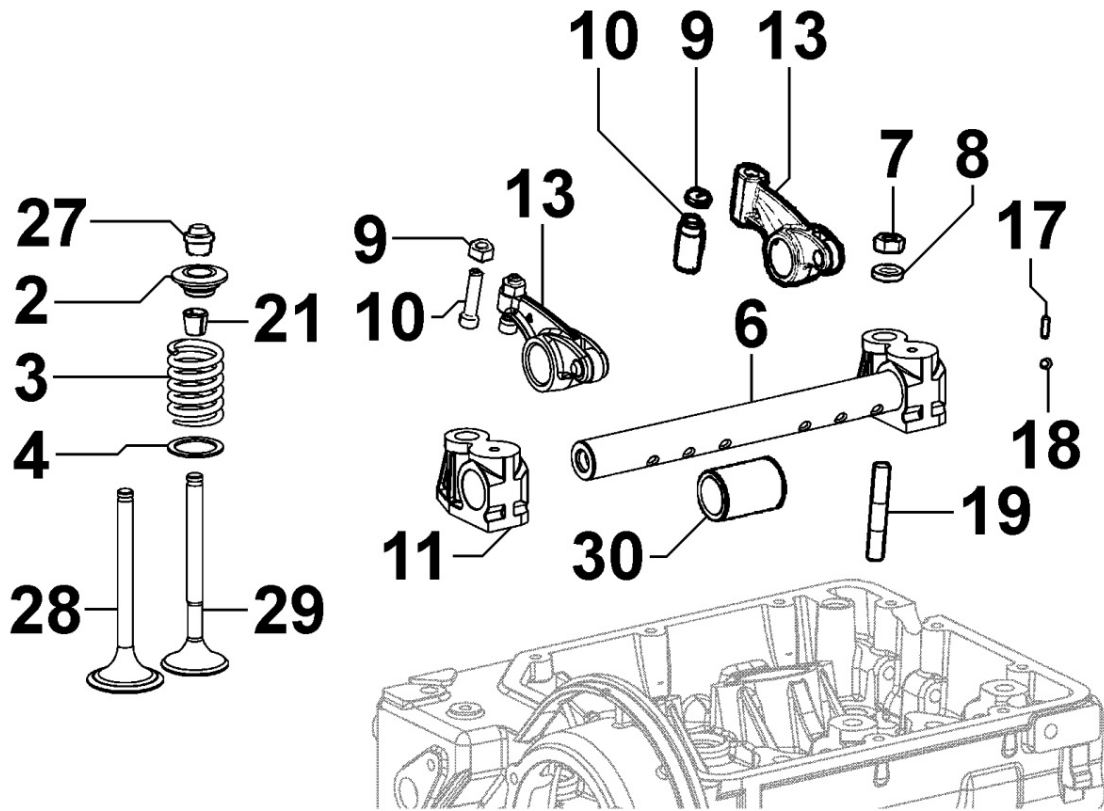
| Pos | Kit | Included In | Code           | Description                    | Qty | Old Code | Tech. Info |
|-----|-----|-------------|----------------|--------------------------------|-----|----------|------------|
| 1   |     |             | ED0085458610-S | STAFFA/BRACE N                 | 1   |          |            |
| 2   |     |             | ED0097303650-S | SCREW SHCS M4X25 U5931 8G+Zn.B | 4   |          |            |
| 3   |     |             | ED0032400030-S | HEX.NUT                        | 4   |          |            |
| 4   |     |             | ED0015671990-S | COIL                           | 1   |          |            |
| 5   |     |             | ED0021861380-S | CAVO/WIRE N                    | 2   |          |            |
| 13  |     |             | ED0021000910-S | SPARK PLUG                     | 2   |          |            |


8035350080 - CAMSHAFT



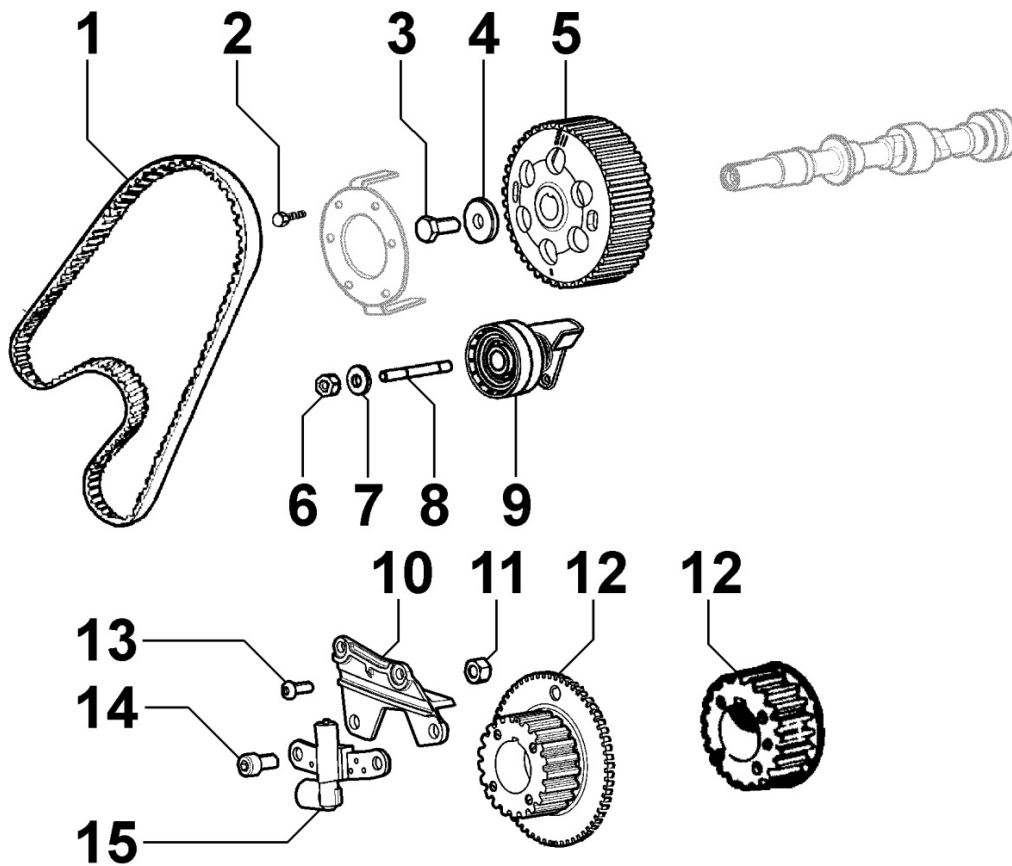
| Pos | Kit | Included In | Code           | Description | Qty | Old Code | Tech. Info |
|-----|-----|-------------|----------------|-------------|-----|----------|------------|
| 1   |     |             | ED0010116450-S | CAMSHAFT    | 1   |          |            |

8036350050 - ROCKER ARMS / VALVES



| Pos | Kit | Included In | Code           | Description             | Qty | Old Code       | Tech. Info  |
|-----|-----|-------------|----------------|-------------------------|-----|----------------|---|
| 2   | (B) |             | ED0064100170-S | CAP                     | 4   |                |   |
| 3   |     |             | ED0057551370-S | SPRING                  | 4   |                |   |
| 4   |     |             | ED0076251850-S | WASHER                  | 4   |                |   |
| 6   | (A) |             | KDISC.         |                         | 1   | ED0060451370-S |   |
| 7   |     |             | ED0032400330-S | HEX.NUT                 | 3   |                |   |
| 8   |     |             | ED0076251300-S | WASHER                  | 3   |                |   |
| 9   |     |             | ED0060000860-S | PASTIGLIA/EXP.PLUG N 10 | 4   |                |  |
| 10  |     |             | KDISC.         |                         | 4   | ED0072151190-S |   |
| 19  |     |             | ED0068000880-S | STUD                    | 3   |                |   |
| 21  | (B) |             | ED0080570030-S | LOCK RING               | 8   |                |   |
| 27  |     |             | ED0045350150-S | VALVE STEM SEAL d.7     | 4   |                |   |
| 28  |     |             | ED0096521010-S | INTAKE VALVE            | 2   |                |   |
| 29  |     |             | ED0096851050-S | EXHAUST VALVE           | 2   |                |   |

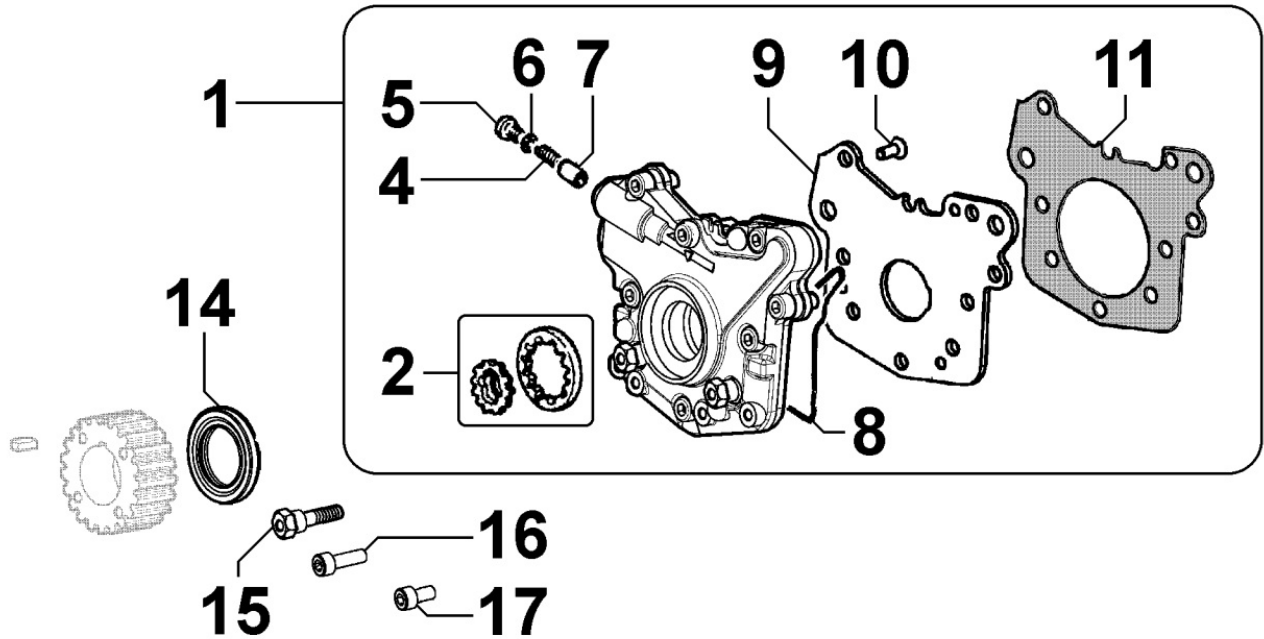
8038350070 - TIMING GEAR



| Pos | Kit | Included In | Code           | Description                      | Qty | Old Code | Tech. Info |
|-----|-----|-------------|----------------|----------------------------------|-----|----------|------------|
| 1   |     |             | ED0024403430-S | VEEBELT FOR DISTRIBUTION COMMAND | 1   |          |            |
| 3   |     |             | ED0098201420-S | SCREW                            | 1   |          |            |
| 4   |     |             | ED0076250450-S | WASHER                           | 1   |          |            |
| 6   |     |             | ED0032400330-S | HEX.NUT                          | 1   |          |            |
| 7   |     |             | ED0074950100-S | WASHER                           | 1   |          |            |
| 8   |     |             | ED0068000330-S | PRIGIONIERO/STUD 'N              | 1   |          |            |
| 9   |     |             | ED0041100090-S | JOCKEY PULLEY                    | 1   |          |            |
| 10  |     |             | ED0087700410-S | SUPPORTO/SUPPORT                 | 1   |          |            |
| 11  |     |             | ED0032400160-S | HEX.NUT                          | 2   |          |            |
| 12  |     |             | ED0078150840-S | PULEGGIA/PULLEY D AC             | 1   |          |            |
| 13  |     |             | ED0097303370-S | SCREW                            | 2   |          |            |
| 14  |     |             | ED0097300240-S | ALLEN SCREW                      | 2   |          |            |
| 15  |     |             | ED0080890970-S | SENSORE/SENSOR D                 | 1   |          |            |

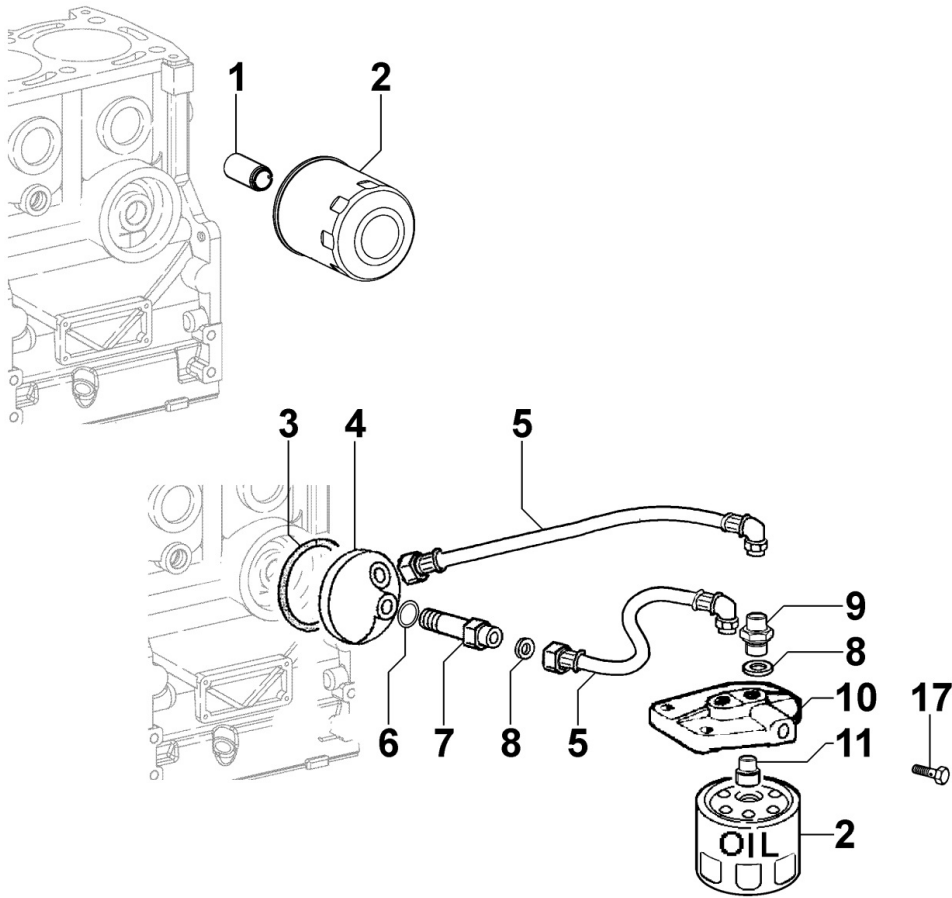


8040350050 - OIL PUMP



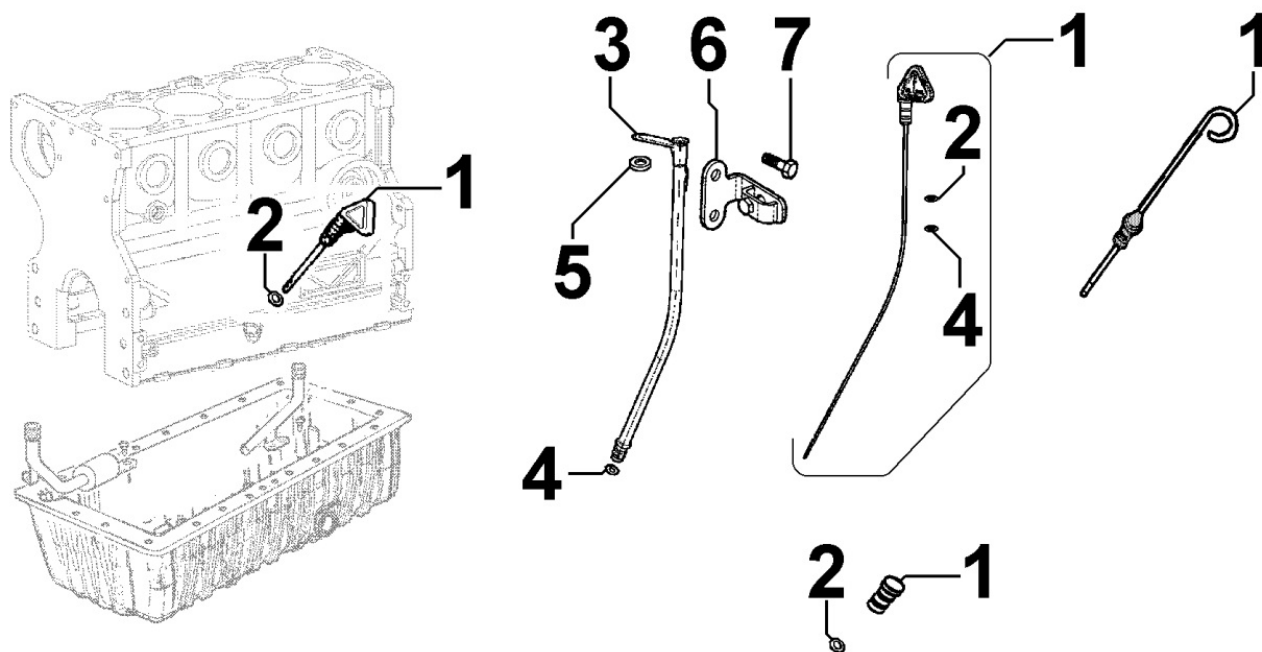
| Pos | Kit | Included In | Code           | Description              | Qty | Old Code | Tech. Info |
|-----|-----|-------------|----------------|--------------------------|-----|----------|------------|
| 1   | (A) |             | ED0066051040-S | POMPA OLIO/OIL PUMP N ** | 1   |          |            |
| 2   |     | (A)         | ED0077501050-S | ROTOR                    | 1   |          |            |
| 5   |     | (A)         | ED0090150050-S | CAP                      | 1   |          |            |
| 6   |     | (A)         | ED0046700600-S | C.GASKET                 | 1   |          |            |
| 7   |     | (A)         | ED0064950450-S | PLUNGER                  | 1   |          |            |
| 8   |     | (A)         | ED0056250080-S | SPRING                   | 1   |          |            |
| 8   |     | (A)         | ED0012002920-S | RING                     | 1   |          |            |
| 10  |     | (A)         | ED0098000610-S | CAPSCREW                 | 3   |          |            |
| 11  |     | (A)         | ED0045802160-S | GASKET                   | 1   |          |            |
| 14  |     |             | ED0012133430-S | SEAL RING                | 1   |          |            |
| 16  |     |             | ED0017700070-S | BOLT                     | 1   |          |            |
| 17  |     |             | ED0097320740-S | CAPSCREW                 | 8   |          |            |

8042350010 - OIL FILTER



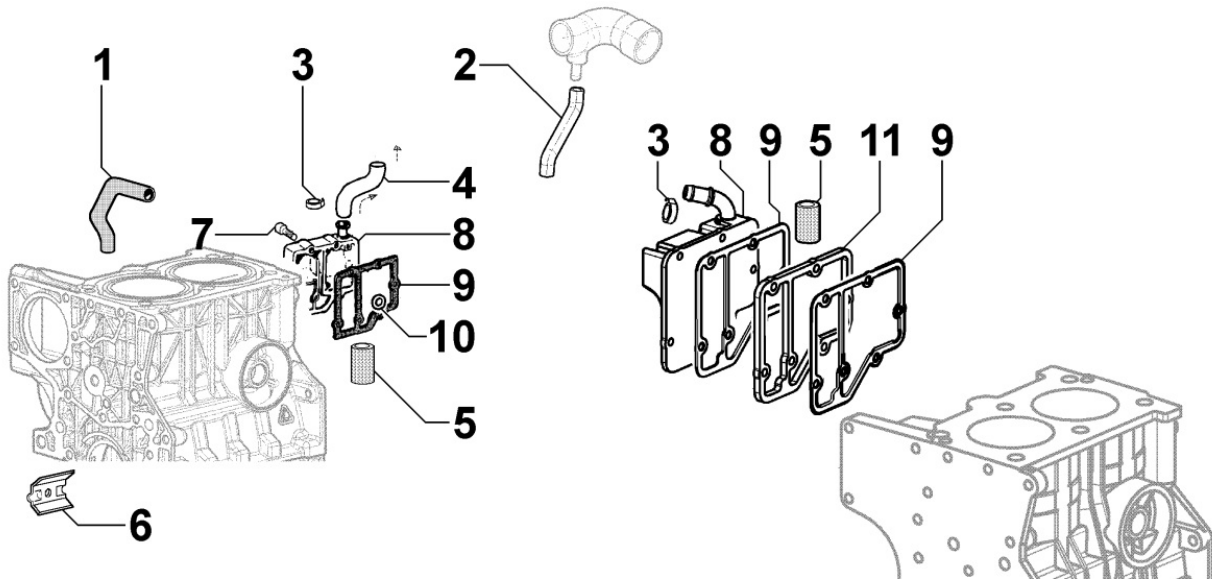
| Pos | Kit | Included In | Code           | Description          | Qty | Old Code | Tech. Info |
|-----|-----|-------------|----------------|----------------------|-----|----------|------------|
| 1   |     |             | ED0072650210-S | UNION                | 1   |          |            |
| 2   |     |             | ED0021751070-S | OIL FILTER CARTRIDGE | 1   |          |            |

8043350130 - OIL DIPSTICK



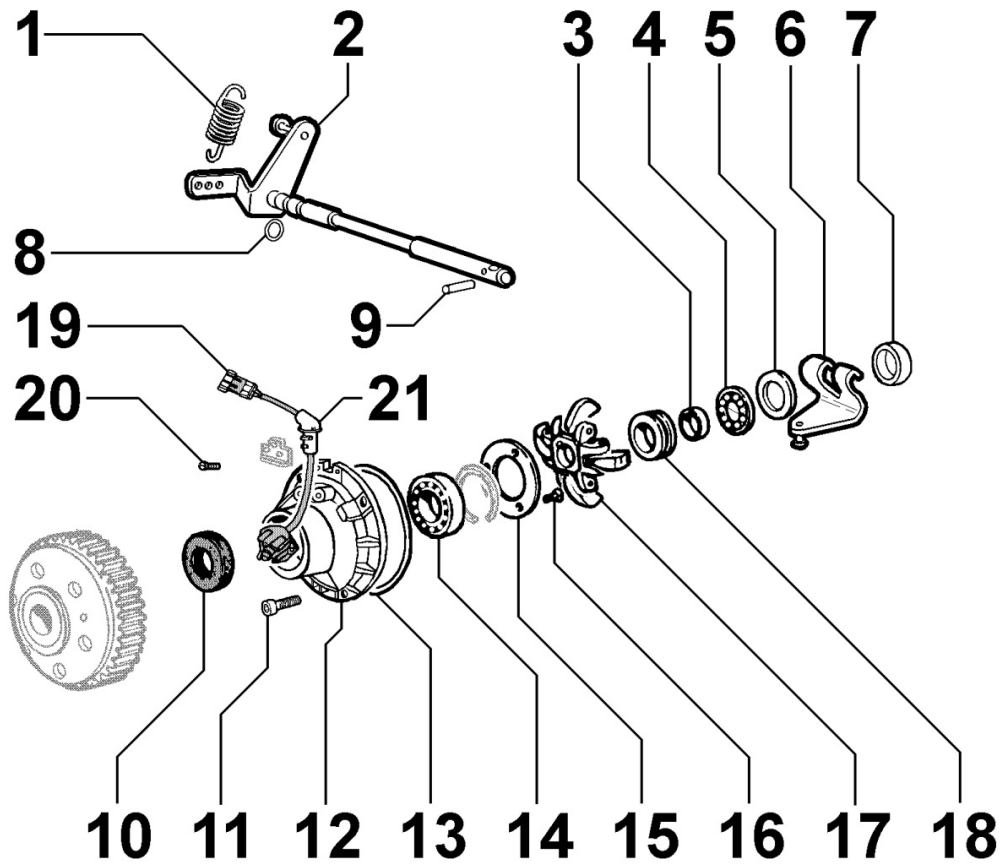
| Pos | Kit | Included In | Code           | Description               | Qty | Old Code | Tech. Info |
|-----|-----|-------------|----------------|---------------------------|-----|----------|------------|
| 1   | (A) |             | ED0014004470-S | ASTA LIVELLO/DIPSTICK D C | 1   |          |            |
| 2   |     | (A)         | ED0012003280-S | O RING                    | 3   |          |            |

**8045350100 - BREATHER SYSTEM**



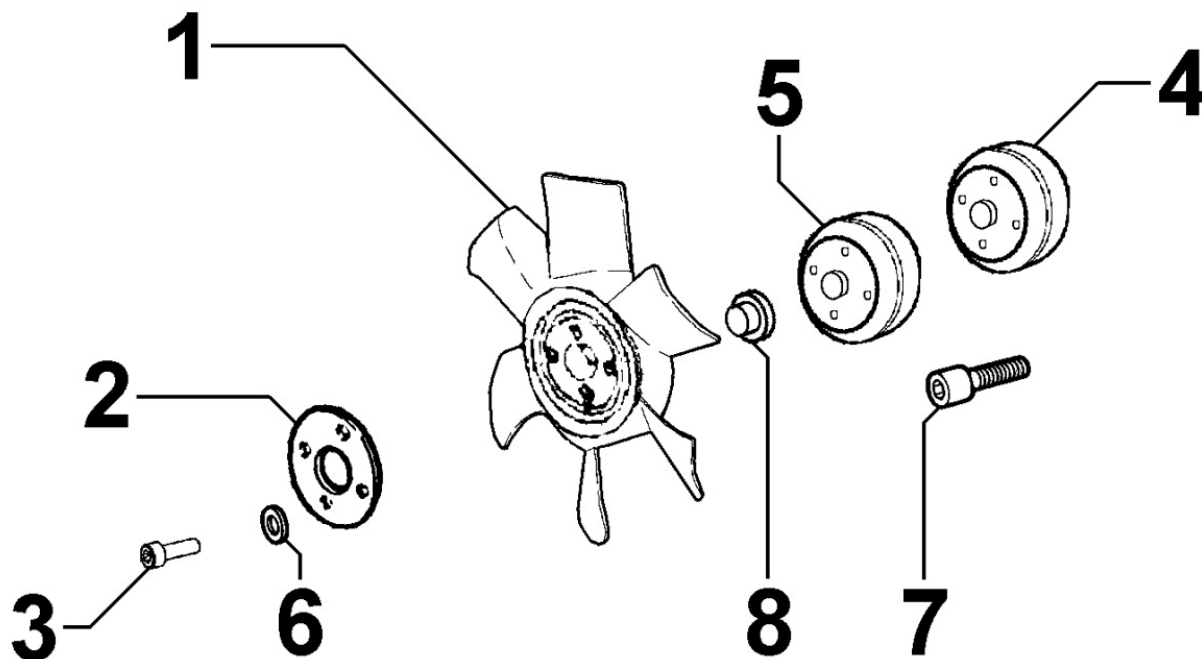
| Pos | Kit | Included In | Code           | Description             | Qty | Old Code | Tech. Info |
|-----|-----|-------------|----------------|-------------------------|-----|----------|------------|
| 2   |     |             | ED0054001020-S | MANICOTTO/HOSE          | 1   |          |            |
| 3   |     |             | ED0036301740-S | FASCETTA/CLAMP 10       | 2   |          |            |
| 5   |     |             | ED0059760100-S | PAGLIETTA/WIREMESH N    | 1   |          |            |
| 6   |     |             | ED0051680630-S | LAMIERINO/RETAINER N    | 1   |          |            |
| 7   |     |             | ED0097300100-S | SCREW                   | 7   |          |            |
| 8   |     |             | ED0026100800-S | COPERCHIO/COVER N       | 1   |          |            |
| 9   |     |             | ED0044311640-S | GUARNIZIONE/GASKET FV C | 1   |          |            |

8050350030 - SPEED GOVERNOR



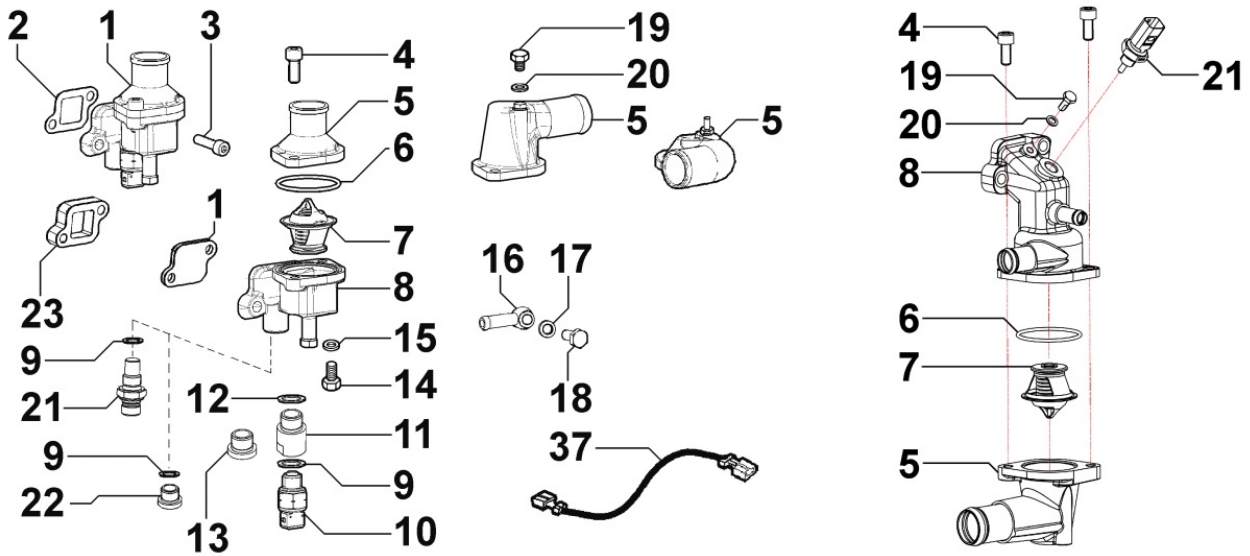
| Pos | Kit | Included In | Code           | Description            | Qty | Old Code | Tech. Info |
|-----|-----|-------------|----------------|------------------------|-----|----------|------------|
| 7   |     |             | ED0034660640-S | DISTANZ./SPACER N      | 1   |          |            |
| 10  |     |             | ED0012133030-S | SEAL RING              | 1   |          |            |
| 11  |     |             | ED0097300100-S | SCREW                  | 4   |          |            |
| 12  |     |             | ED0038551700-S | FLANGIA/FLANGE D       | 1   |          |            |
| 13  |     |             | ED0012002720-S | ANELLO OR/ O RING F 10 | 1   |          |            |
| 14  |     | (A)         | ED0030010660-S | BEARING                | 1   |          |            |
| 15  |     | (A)         | ED0062751660-S | PLATE                  | 1   |          |            |
| 16  |     | (A)         | ED0098000610-S | CAPSCREW               | 3   |          |            |

8071350090 - COOLING FAN



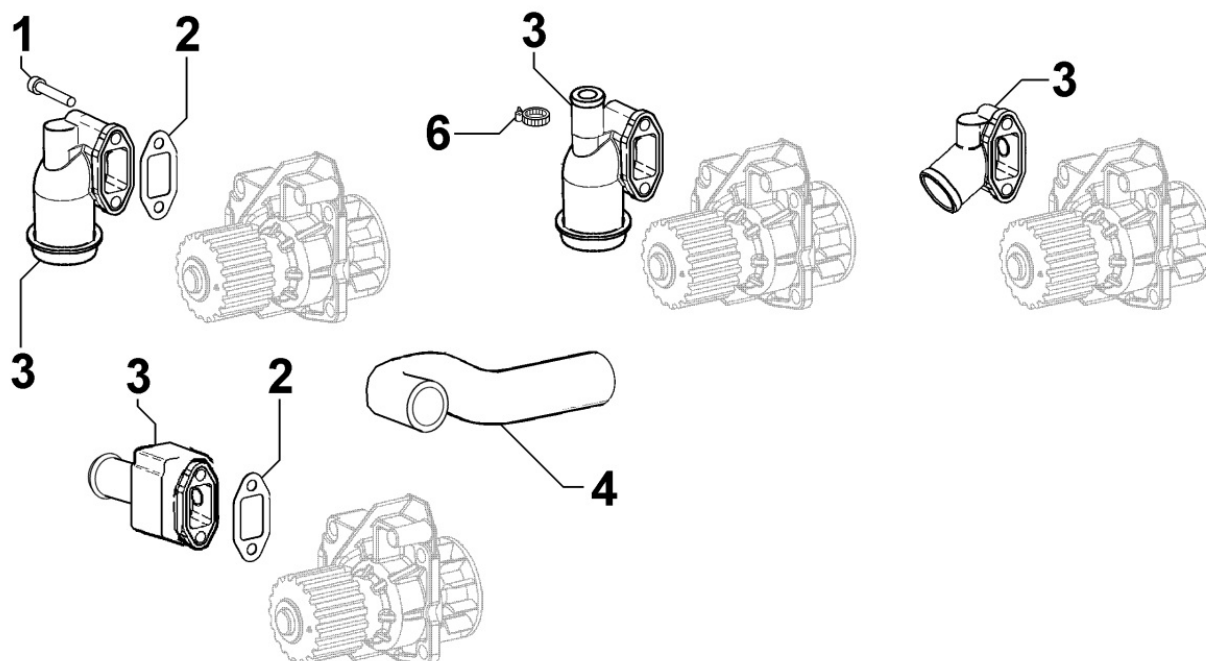
| Pos | Kit | Included In | Code           | Description        | Qty | Old Code | Tech. Info |
|-----|-----|-------------|----------------|--------------------|-----|----------|------------|
| 1   |     |             | ED0097183310-S | SUCTION FAN D.280  | 1   |          |            |
| 2   |     |             | ED0062751670-S | PIASTRA/PLATE D 10 | 1   |          |            |
| 3   |     |             | ED0097300120-S | SCREW              | 4   |          |            |
| 5   |     |             | ED0038100740-S | FLANGE             | 1   |          |            |
| 7   |     |             | ED0097300160-S | ALLEN SCREW        | 4   |          |            |

8074350120 - THERMOSTAT UNIT



| Pos | Kit | Included In | Code           | Description                    | Qty | Old Code | Tech. Info |
|-----|-----|-------------|----------------|--------------------------------|-----|----------|------------|
| 1   | (A) |             | ED0048964220-S | GRUPPO/ASSEMBLY N              | 0   |          |            |
| 2   |     |             | ED0044600370-S | GASKET                         | 1   |          |            |
| 3   |     |             | ED0097320640-S | SCREW                          | 2   |          |            |
| 4   |     | (A)         | ED0097320740-S | CAPSCREW                       | 2   |          |            |
| 5   |     | (A)         | ED0027502790-S | THERMOSTAT COVER               | 1   |          |            |
| 6   |     | (A)         | ED0012000910-S | O RING                         | 1   |          |            |
| 7   |     | (A)         | ED0091950860-S | TERMOSTATO/THERMOSTAT D        | 1   |          |            |
| 7   |     | (A)         | ED0091951240-S | THERMOSTATIC VALVE             | 1   |          |            |
| 8   |     | (A)         | ED0028712740-S | CORPO/BODY N A                 | 1   |          |            |
| 9   |     | (A)         | ED0046700610-S | C.GASKET                       | 1   |          |            |
| 10  |     | (A)         | ED0080891000-S | SENSORE/SENSOR D               | 1   |          |            |
| 11  |     | (A)         | ED0015852160-S | BOCCOLA PER TERMOSTATO RENAULT | 1   |          |            |

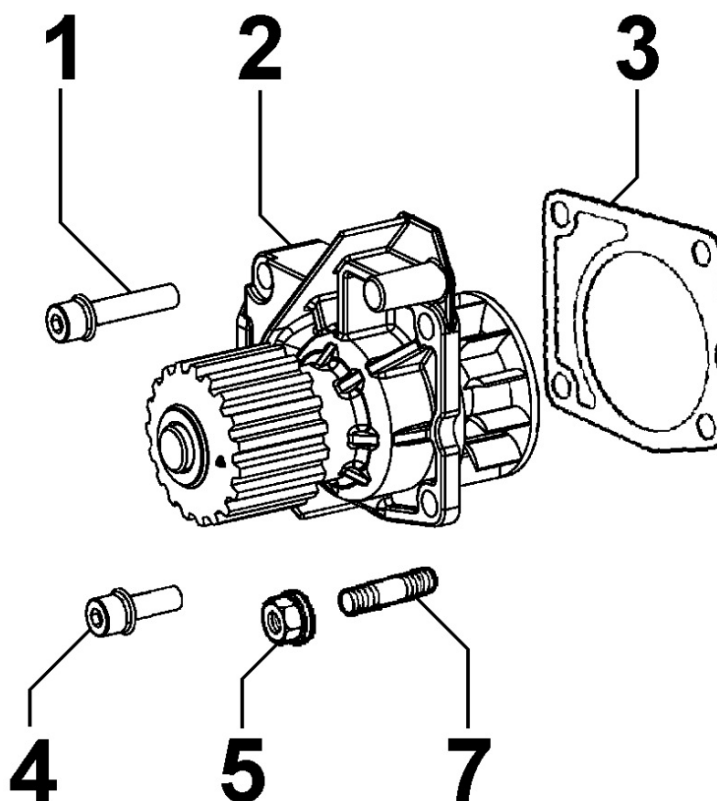
8075350070 - WATER INLET FLANGE



| Pos | Kit | Included In | Code           | Description       | Qty | Old Code | Tech. Info |
|-----|-----|-------------|----------------|-------------------|-----|----------|------------|
| 1   |     |             | ED0097300160-S | ALLEN SCREW       | 2   |          |            |
| 2   |     |             | ED0045011580-S | GASKET            | 1   |          |            |
| 3   |     |             | ED0038661070-S | FLANGIA/FLANGE ,D | 1   |          |            |

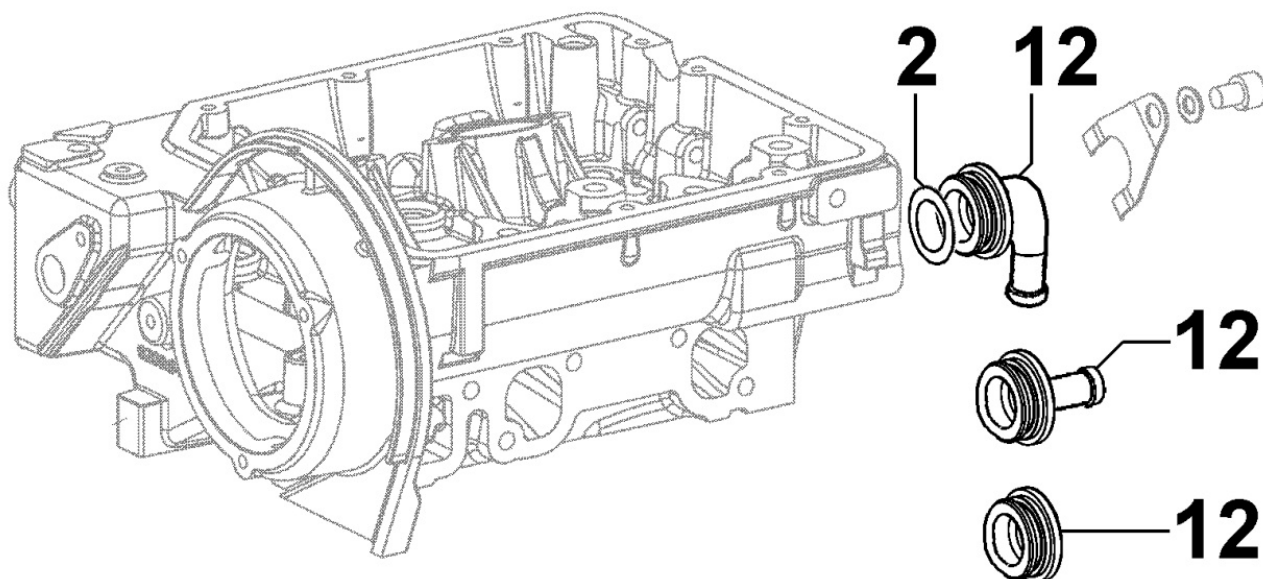


8077350030 - WATER PUMP



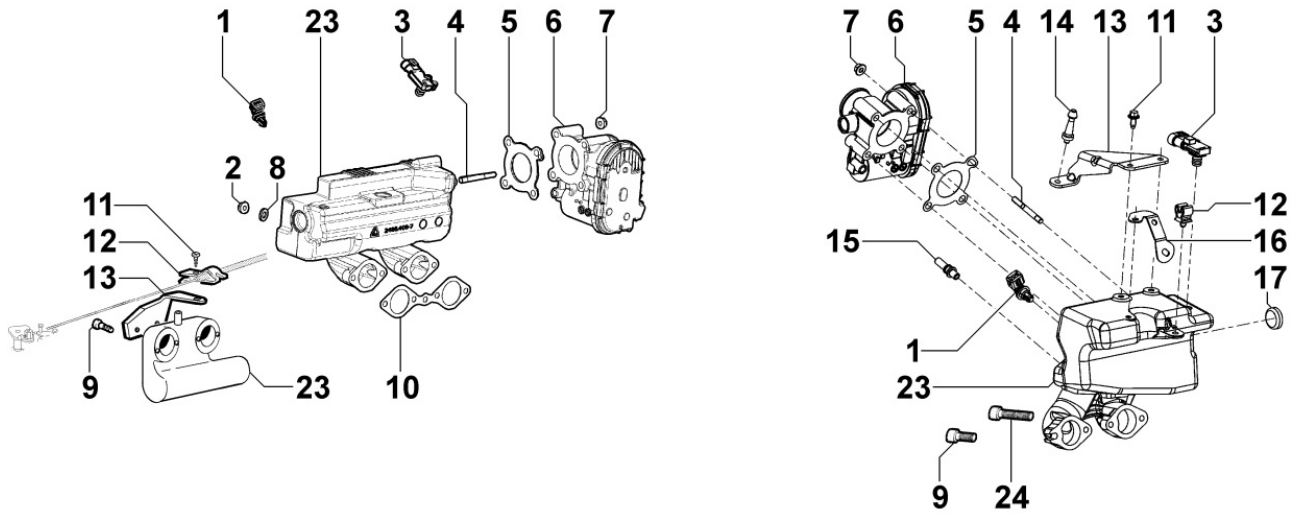
| Pos | Kit | Included In | Code           | Description                   | Qty | Old Code | Tech. Info |
|-----|-----|-------------|----------------|-------------------------------|-----|----------|------------|
| 2   |     |             | ED0065844380-S | WATER PUMP                    | 1   |          |            |
| 3   |     |             | ED0045802150-S | GASKET                        | 1   |          |            |
| 5   |     |             | ED0032401640-S | HEX.NUT                       | 4   |          |            |
| 7   |     |             | ED0067800050-S | STUD                          | 2   |          |            |
| 7   |     |             | ED0067801830-S | PRIGION. SPEC. M8X35 + DRILOC | 2   |          |            |

**8079350040 - FITTING FOR CAB HEATING**



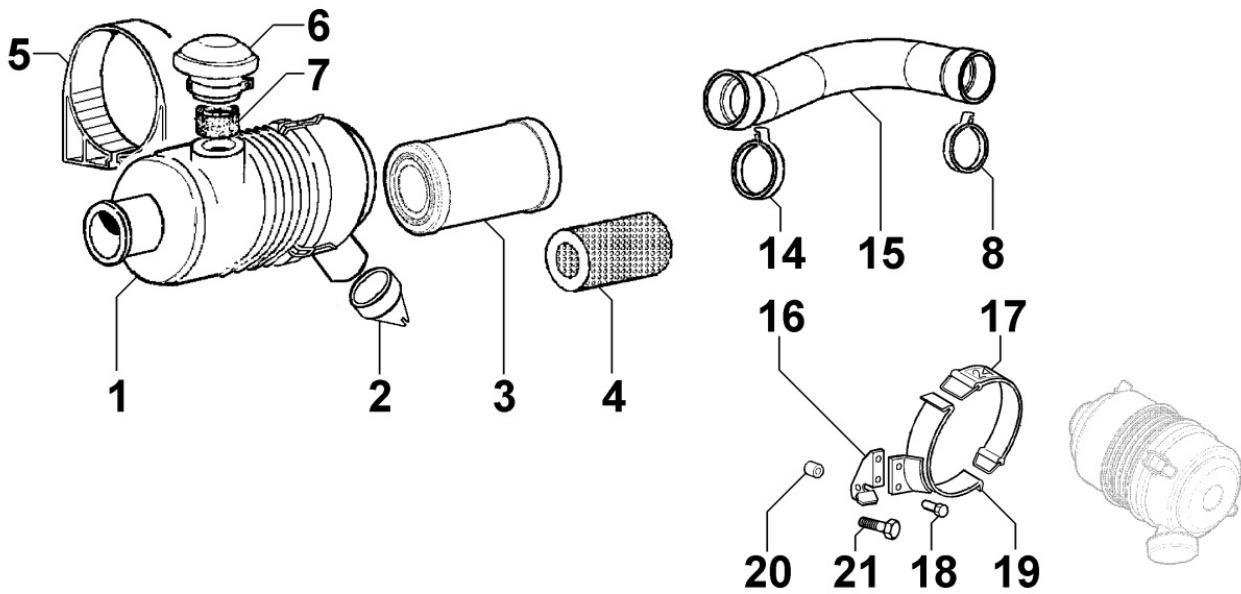
| Pos | Kit | Included In | Code           | Description      | Qty | Old Code | Tech. Info |
|-----|-----|-------------|----------------|------------------|-----|----------|------------|
| 2   |     |             | ED0012000810-S | RING             | 1   |          |            |
| 12  |     |             | ED0038661060-S | FLANGIA/FLANGE D | 1   |          |            |

8080350090 - AIR INLET MANIFOLD / AIR FILTER



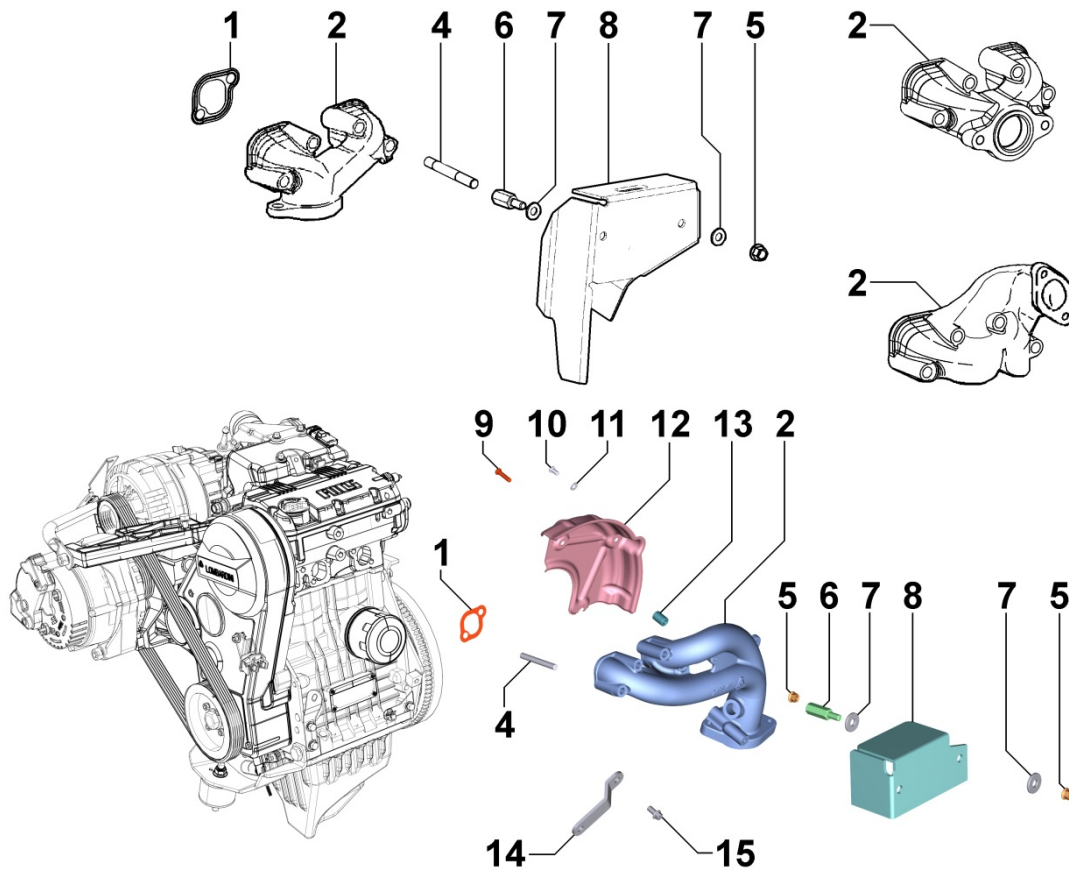
| Pos | Kit | Included In | Code           | Description                  | Qty | Old Code | Tech. Info |
|-----|-----|-------------|----------------|------------------------------|-----|----------|------------|
| 1   |     |             | ED0080890980-S | SENSORE/SENSOR N             | 1   |          |            |
| 3   |     |             | ED0080890990-S | SENSORE/SENSOR N             | 1   |          |            |
| 4   |     | (A)         | ED0067601000-S | STUD                         | 4   |          |            |
| 5   |     | (A)         | ED0044200780-S | GASKET                       | 1   |          |            |
| 6   |     | (A)         | ED0028712520-S | CORPO CARB./CARB.BODY D      | 1   |          |            |
| 7   |     | (A)         | ED0032030500-S | NUT                          | 4   |          |            |
| 9   |     |             | ED0097320780-S | SCREW                        | 4   |          |            |
| 10  |     |             | ED0044200740-S | GUARNIZIONE/GASKET D 10      | 1   |          |            |
| 23  | (A) |             | ED0024864730-S | COLLETTORE/INTAKE MANIFOLD** | 1   |          |            |

8081350090 - AIR CLEANER



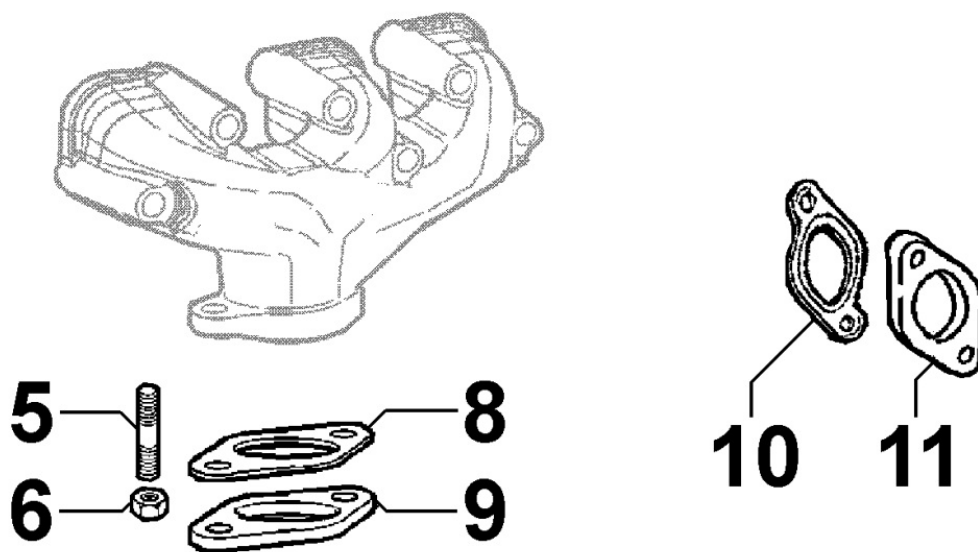
| Pos | Kit | Included In | Code           | Description              | Qty | Old Code | Tech. Info |
|-----|-----|-------------|----------------|--------------------------|-----|----------|------------|
| 1   | (A) |             | ED0037004580-S | AIR CLEANER 4" DONALDSON | 1   |          |            |
| 8   |     |             | ED0036301760-S | FASCETTA/CLAMP           | 1   |          |            |
| 14  |     |             | ED0036301750-S | FASCETTA/CLAMP           | 1   |          |            |
| 15  |     |             | ED0054001010-S | MANICOTTO/HOSE           | 1   |          |            |
| 16  |     |             | ED0085457240-S | STAFFA/BRACE             | 1   |          |            |
| 17  |     |             | ED0024404210-S | CINGHIA/V-BELT           | 1   |          |            |
| 18  |     |             | ED0017601300-S | BOLT                     | 2   |          |            |
| 19  |     |             | ED0085456680-S | STAFFA/BRACE N           | 1   |          |            |
| 20  |     |             | ED0035274060-S | DISTANZIALE/SPACER N     | 1   |          |            |
| 21  |     |             | ED0017700070-S | BOLT                     | 1   |          |            |

8085350090 - EXHAUST GAS MANIFOLD



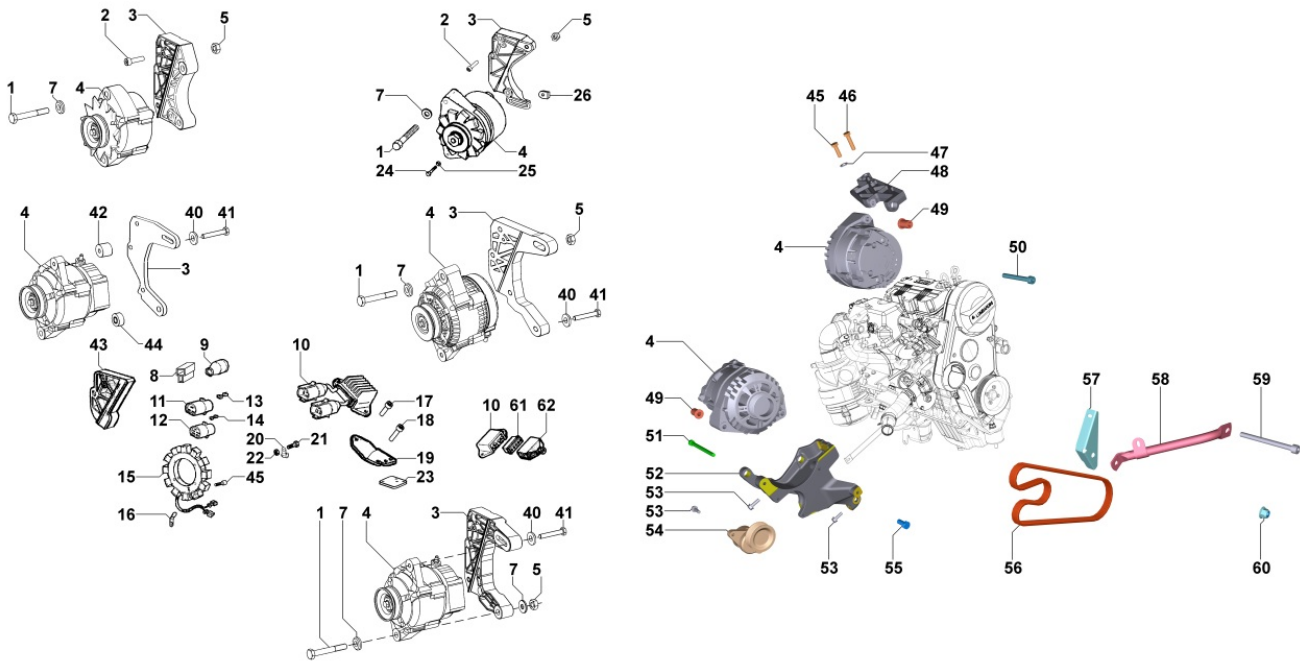
| Pos | Kit | Included In | Code           | Description               | Qty | Old Code | Tech. Info |
|-----|-----|-------------|----------------|---------------------------|-----|----------|------------|
| 1   |     |             | ED0044200700-S | GASKET, EXHAUST           | 2   |          |            |
| 2   |     |             | ED0024862290-S | COLLETTORE/MANIFOLD D C** | 1   |          |            |
| 4   |     |             | ED0067800280-S | STUD                      | 4   |          |            |
| 5   |     |             | ED0032401630-S | HEX.NUT M8                | 2   |          |            |
| 6   |     |             | ED0025000250-S | COLONNA/HOLLOWSTUD S 10   | 2   |          |            |
| 7   |     |             | ED0076250980-S | WASHER                    | 4   |          |            |
| 8   |     |             | ED0069275730-S | PROTEZIONE/GUARD          | 1   |          |            |

**8087350010 - EXHAUST GAS ACCESSORIES**



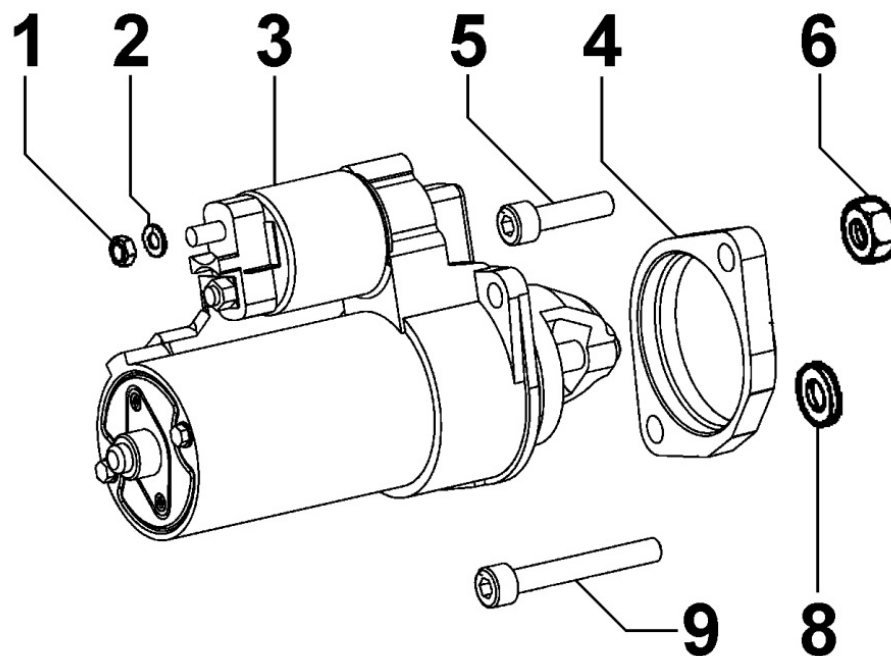
| Pos | Kit | Included In | Code           | Description | Qty | Old Code | Tech. Info |
|-----|-----|-------------|----------------|-------------|-----|----------|------------|
| 5   |     |             | ED0067801710-S | STUD        | 2   |          |            |
| 6   |     |             | ED0032401630-S | HEX.NUT M8  | 2   |          |            |
| 10  |     |             | ED0044200760-S | GASKET      | 1   |          |            |
| 11  |     |             | ED0038250200-S | FLANGE      | 1   |          |            |


**8100350160 - VOLTAGE ALTERNATOR**



| Pos | Kit | Included In | Code           | Description                 | Qty | Old Code       | Tech. Info |
|-----|-----|-------------|----------------|-----------------------------|-----|----------------|------------|
| 0   |     |             | ED0091800560-S | END                         | 3   |                |            |
| 0   |     |             | ED0091801320-S | END                         | 1   |                |            |
| 2   |     |             | ED0097320640-S | SCREW                       | 2   |                |            |
| 9   |     |             | ED0021450650-S | CAP                         | 2   |                |            |
| 10  |     |             | ED0073623990-S | REGOLATORE 30A CON CAVI E W | 1   | ED0073623240-S |            |
| 11  |     |             | ED0015571280-S | CONNECTION BOX              | 1   |                |            |
| 12  |     |             | ED0015571300-S | CONNECTOR                   | 1   |                |            |
| 15  |     |             | ED0085650900-S | STATOR                      | 1   |                |            |
| 16  |     |             | ED0062751540-S | PIASTRA/PLATE D             | 1   |                |            |
| 20  |     |             | ED0036170880-S | CLAMP                       | 1   |                |            |
| 21  |     |             | ED0017700020-S | BOLT                        | 1   |                |            |
| 21  |     |             | ED0098651220-S | SCREW                       | 1   |                |            |
| 22  |     |             | ED0032400180-S | HEX.NUT                     | 1   |                |            |
| 43  |     |             | ED0038000310-S | FLANGIA/FLANGE N            | 1   |                |            |

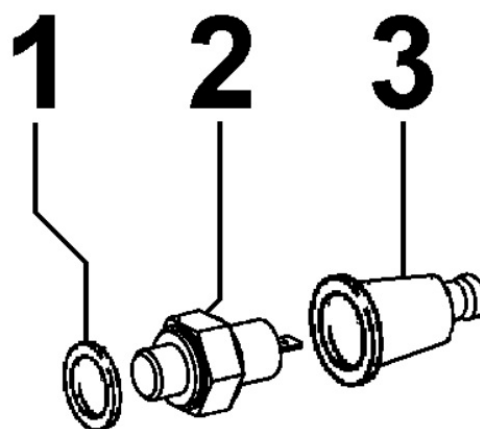
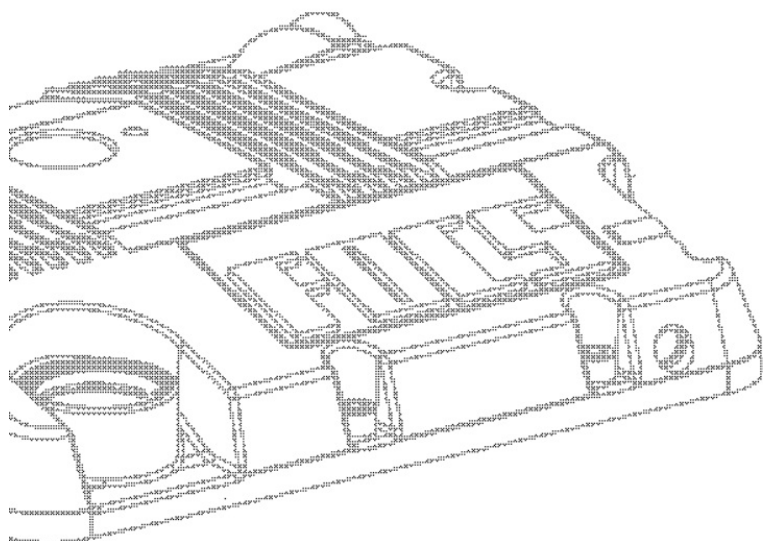
8101350010 - STARTING MOTOR



| Pos | Kit | Included In | Code           | Description | Qty | Old Code | Tech. Info  |
|-----|-----|-------------|----------------|-------------|-----|----------|---|
| 1   |     |             | ED0032400200-S | NUT         | 1   |          |   |
| 2   |     |             | ED0075650070-S | SP.WASHER   | 1   |          |   |
| 3   |     |             | ED0058401940-S | STA.MOTOR   | 1   |          |  |
| 5   |     |             | ED0097300440-S | ALLEN SCREW | 2   |          |   |

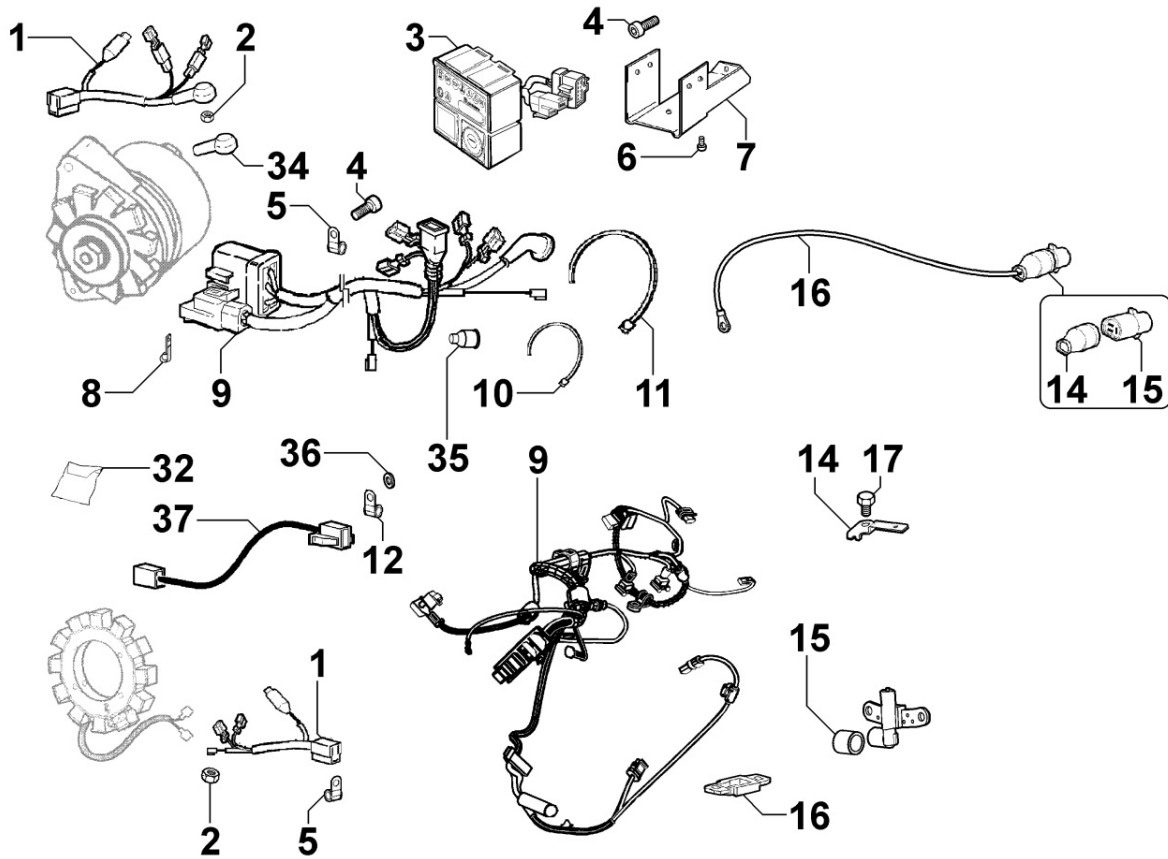


8102350020 - OIL PRESSURE SWITCH



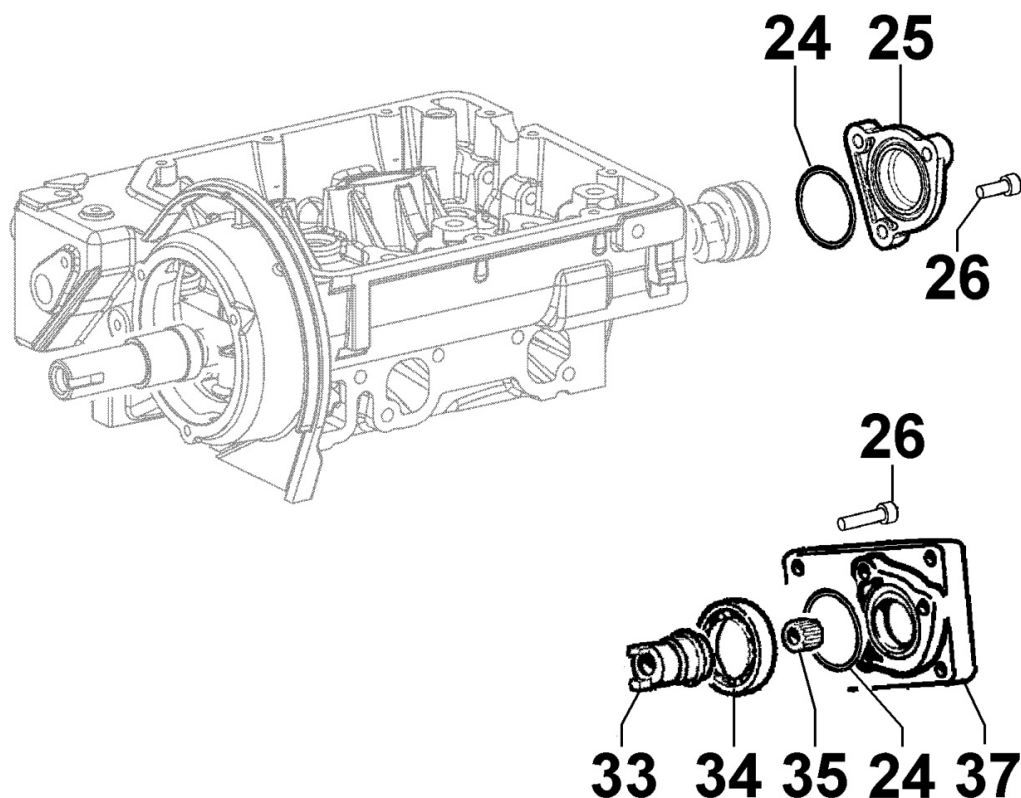
| Pos | Kit | Included In | Code           | Description | Qty | Old Code | Tech. Info |
|-----|-----|-------------|----------------|-------------|-----|----------|------------|
| 1   |     |             | ED0046700600-S | C.GASKET    | 1   |          |            |
| 2   |     |             | ED0067450420-S | P.SWITCH    | 1   |          |            |
| 3   |     |             | ED0064910130-S | PIPE ELBOW  | 1   |          |            |

8103350100 - ELECTRIC DASHBOARD / ENGINE WIRES



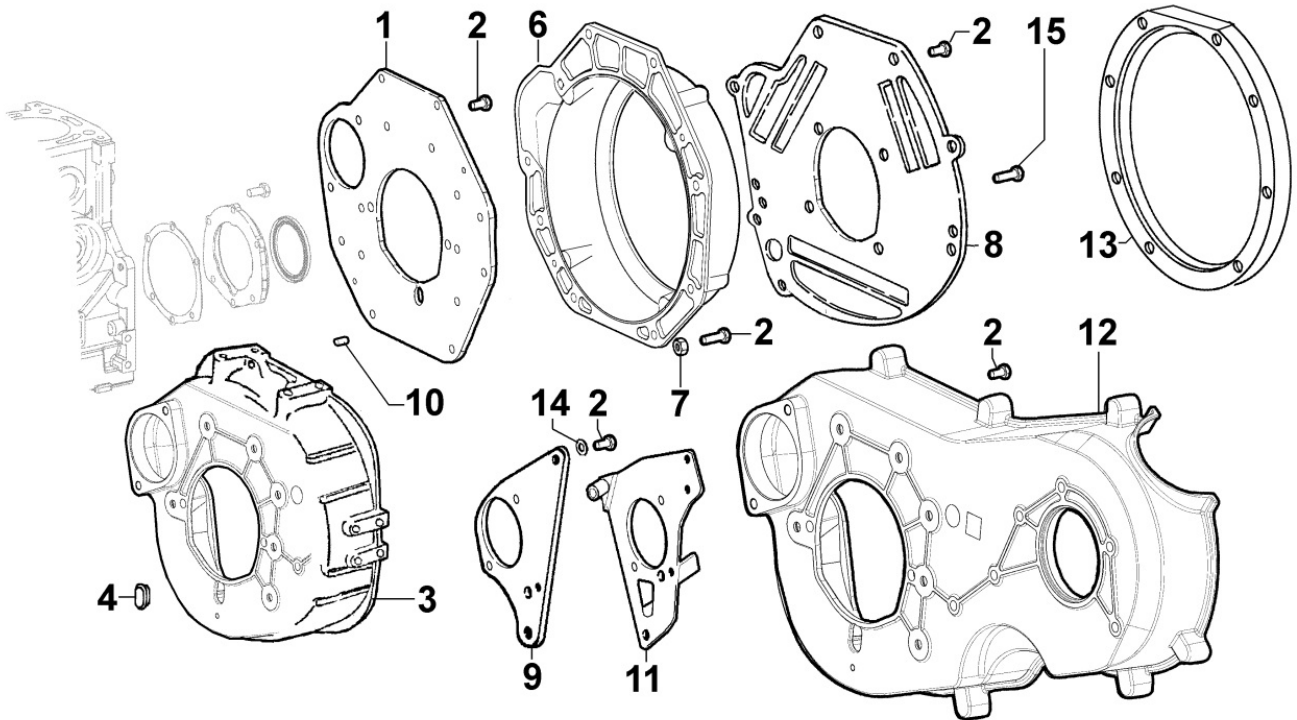
| Pos | Kit | Included In | Code           | Description                 | Qty | Old Code       | Tech. Info |
|-----|-----|-------------|----------------|-----------------------------|-----|----------------|------------|
| 5   |     |             | ED0036170880-S | CLAMP                       | 1   |                |            |
| 9   |     |             | ED0021861770-S | CAVO/CABLE N                | 1   | ED0021859750-S |            |
| 12  |     |             | ED0036170890-S | CLAMP                       | 3   |                |            |
| 14  |     |             | ED0085457120-S | STAFFA CABLAGGIO MOTORE MPI | 1   |                |            |
| 15  |     |             | ED0043400890-S | GUAINA/JACKET               | 1   |                |            |
| 17  |     |             | ED0017800680-S | BULLONE/BOLT N 10           | 1   |                |            |
| 37  |     |             | ED0021862350-S | CABLAGGIO/CABLE             | 1   | ED0021861530-S |            |

8140350010 - HYDRAULIC PUMP ADAPTER ON 3rd PTO



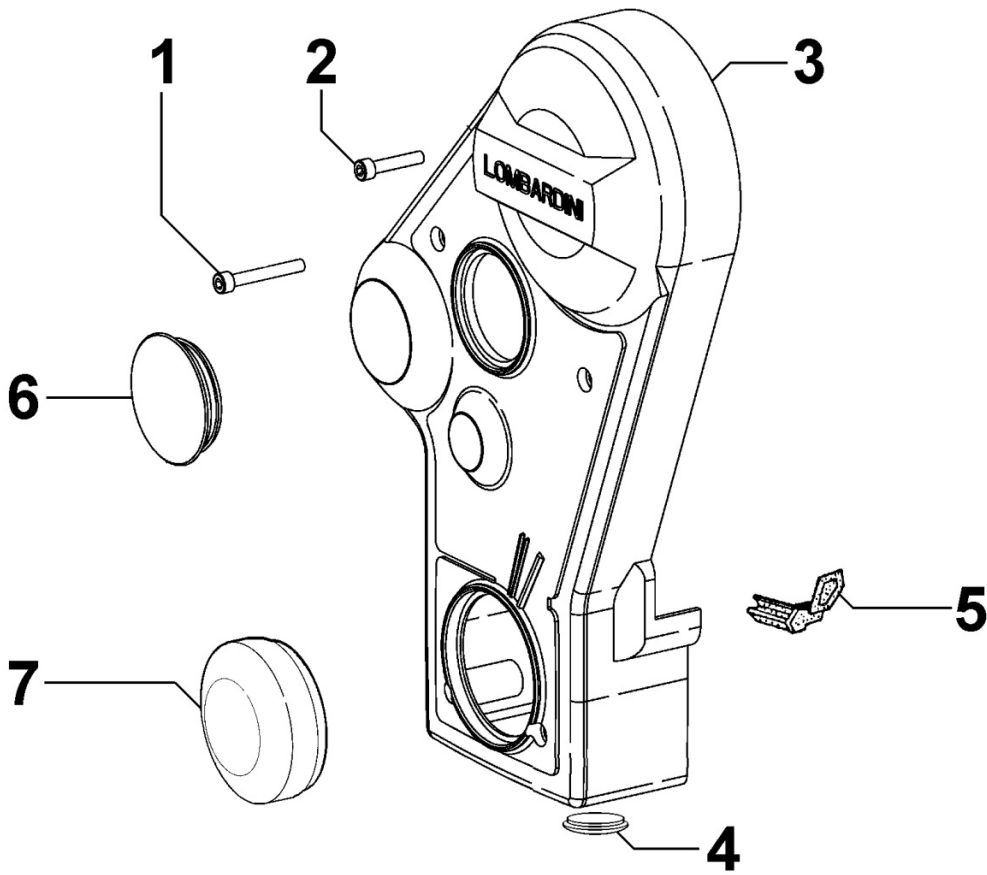
| Pos | Kit | Included In | Code           | Description | Qty | Old Code | Tech. Info |
|-----|-----|-------------|----------------|-------------|-----|----------|------------|
| 24  |     |             | ED0012002330-S | O RING      | 1   |          |            |
| 25  |     |             | ED0038000260-S | FLANGE      | 1   |          |            |
| 26  |     |             | ED0097304160-S | SCREW       | 3   |          |            |

8160350170 - ENGINE BELL / BACKPLATE



| Pos | Kit | Included In | Code           | Description           | Qty | Old Code       | Tech. Info |
|-----|-----|-------------|----------------|-----------------------|-----|----------------|------------|
| 1   |     |             | KV.M.          |                       | 1   | ED0063706000-S |            |
| 2   |     |             | ED0017701970-S | SCREW TE M8X18 DRILOC | 6   |                |            |
| 15  |     |             | ED0098001370-S | VITE/SCREW N 10       | 1   |                |            |

8171350160 - BELT GUARD



| Pos | Kit | Included In | Code           | Description        | Qty | Old Code | Tech. Info |
|-----|-----|-------------|----------------|--------------------|-----|----------|------------|
| 1   |     |             | ED0097300150-S | SCREW              | 1   |          |            |
| 2   |     |             | ED0097320160-S | CAPSCREW           | 1   |          |            |
| 2   |     |             | ED0097300200-S | CAP SCREW          | 2   |          |            |
| 3   |     |             | ED0069274750-S | PROTEZIONE/GUARD N | 1   |          |            |

**8190350080 - VARIOUS ACCESSORIES**

| Pos | Kit | Included In | Code           | Description               | Qty | Old Code | Tech. Info |
|-----|-----|-------------|----------------|---------------------------|-----|----------|------------|
| 0   |     |             | ED0073001000-S | RACCORDO/UNION D          | 1   |          |            |
| 0   |     |             | ED0021931320-S | CENTRALINA/ELCTR.DEV. D A | 1   |          |            |
| 0   |     |             | ED0080891010-S | SENSORE/SENSOR N          | 1   |          |            |
| 0   |     |             | ED0080891030-S | SENSORE/SENSOR N          | 1   |          |            |

**8198350180 - SPECIAL DETACHED COMPONENTS**

| Pos | Kit | Included In | Code           | Description        | Qty | Old Code | Tech. Info |
|-----|-----|-------------|----------------|--------------------|-----|----------|------------|
| 0   |     |             | ED0093054900-S | TUBO/TUBE WATER N  | 1   |          |            |
| 0   |     |             | ED0093055090-S | TUBE WATER         | 1   |          |            |
| 0   |     |             | ED0090001140-S | CAP                | 1   |          |            |
| 0   |     |             | ED0053650690-S | HOSE               | 1   |          |            |
| 0   |     |             | ED0053650930-S | MANICOTTO/HOSE S C | 1   |          |            |
| 0   |     |             | ED0053651420-S | MANICOTTO/HOSE N   | 1   |          |            |

KOHLER®  
ENGINES