

CONTENTS

<NOTES>

ABOVE-STATED O, Δ, x, MARK SHOWS APPLICABLE MODELS

O---MEANS COMMON

Δ---MEANS EXCLUSIVE USE FOR DTM/STM

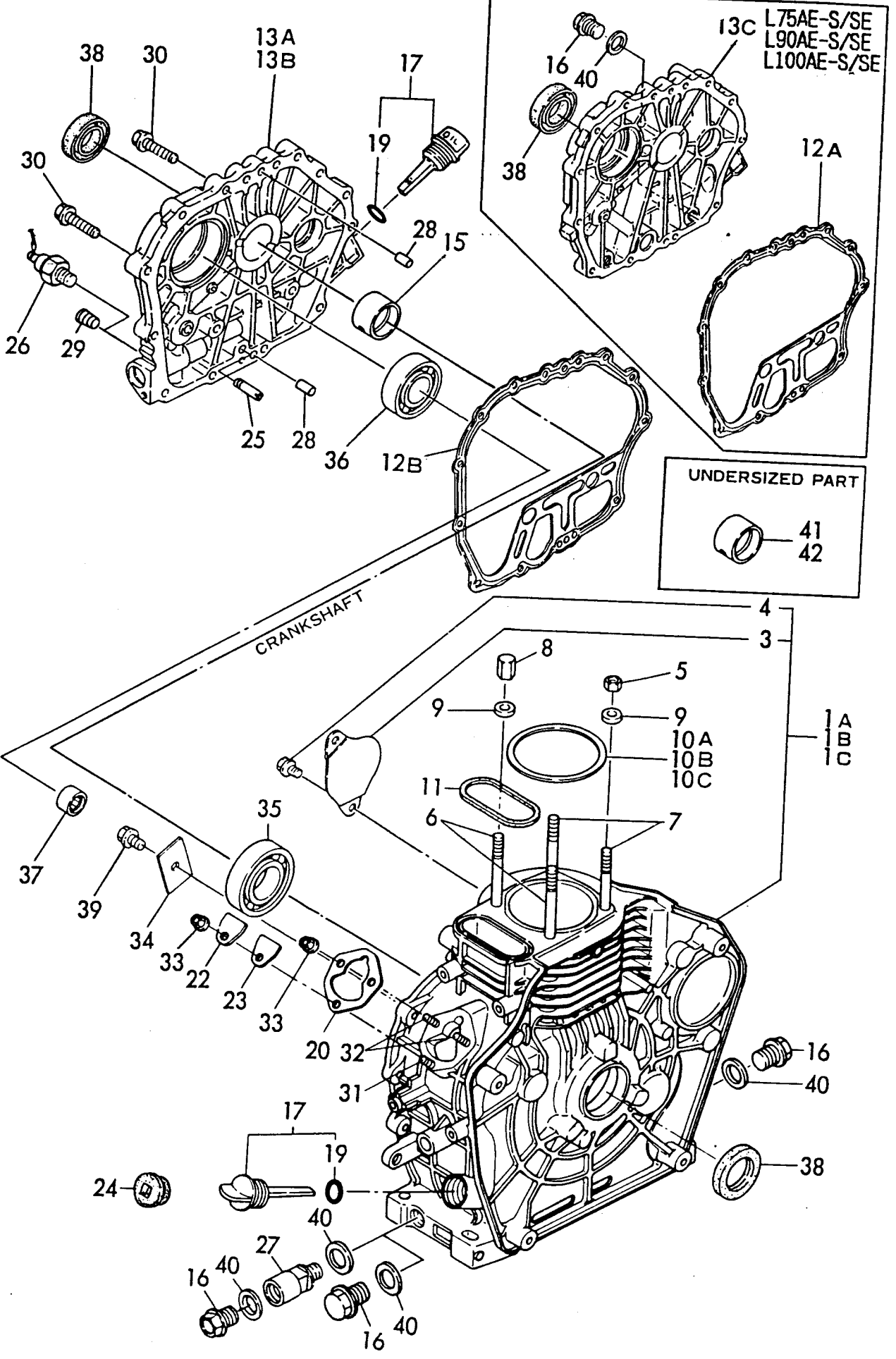
x---MEANS EXCEPT -DTM/-STM

SECTION 3 (L75AE/L90AE/L100AE)

GROUP NO.	GROUP NAME	D/DF/DP/DV	DTM	S/SF	STM
29	CYLINDER BLOCK	O	O	O	O
30	CYLINDER HEAD & BONNET	O	O	O	O
31	AIR CLEANER & MUFFLER	O	O	O	O
32	CAM/CRANK/BARANCER SHAFT & PISTON/ROD	O	O	O	O
33	L. O. DEVICE & GOVERNOR CONTROL	O	O	O	O
34	COOLING & RECOIL STARTER	O	O	O	O
35	FUEL INJECTION PUMP & VALVE	x		x	
36	FUEL INJECTION PUMP & VALVE		Δ		Δ
37	FUEL TANK & FUEL PIPE	x		x	
38	FUEL TANK & FUEL PIPE		Δ		Δ
39	STARTING MOTOR & DYNAMO	x		x	
40	STARTING MOTOR & DYNAMO		Δ		Δ
41	TOOLS/LABELS & GASKET SET	O	O	O	O

Fig. 29 CYLINDER BLOCK

SPEC. CODE
 D14571-01100 D14670-01700
 D14671-01100 D14689-01700
 D14586-01500 D14470-01800
 D14670-01500 D14650-02100
 D14680-01500 D14280-39100
 D14370-01710 D14280-39110



UNDERSIZED PART
 41
 42

+-----+
 I 1F03 I
 I(1F02)I
 +-----+
 YOOR3981

(29) CYLINDER BLOCK

(A)=L75AE-D/DE (D)=L75AE-S/SE
 (B)=L90AE-D/DE (E)=L90AE-S/SE
 (C)=L100AE-D/DE (F)=L100AE-S/SE

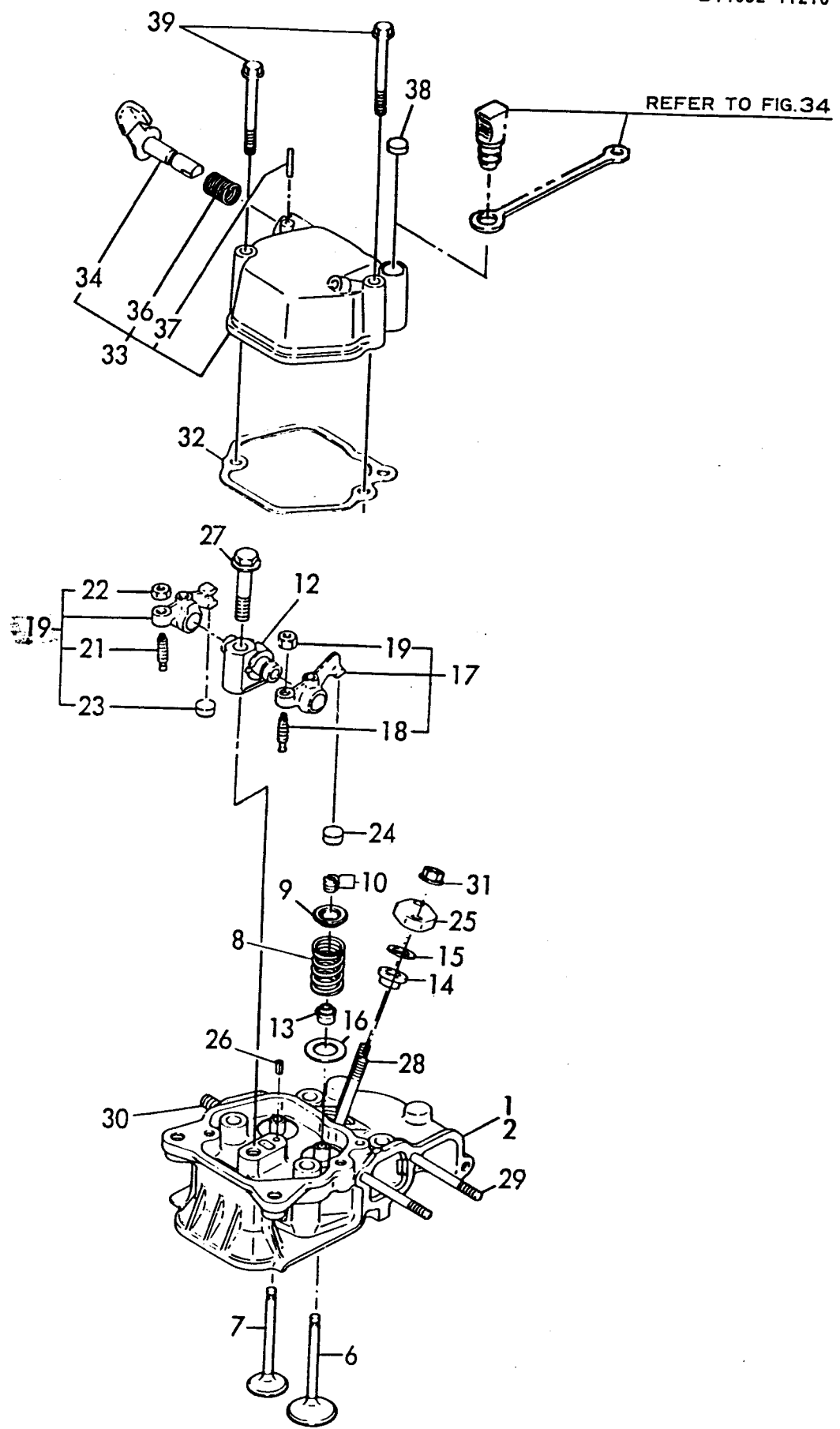
REF. NO.	LEV. 0	PART NO.	DESCRIPTION	-----Q'TY-----						I P/U A R
				(A)	(B)	(C)	(D)	(E)	(F)	
1A	.	714571-01560	BLOCK ASSY, CYLINDER	1			1			
1B	.	714671-01560	BLOCK ASSY, CYLINDER		1			1		
1C	.	714970-01560	BLOCK ASSY, CYLINDER			1				1
3	..	114350-01700	COVER, STARTER	1	1	1	1	1	1	
4	..	26106-100122	BOLT M10X 12 PLATED	2	2	2	2	2	2	
5	.	105025-01220	NUT 10	2	2	2	2	2	2	
6	.	114650-01230	STUD, CYL. HEAD	2	2	2	2	2	2	
7	.	114650-01240	STUD, CYL. HEAD	2	2	2	2	2	2	
8	.	114650-01250	NUT 10	2	2	2	2	2	2	
9	.	114650-01260	WASHER	4	4	4	4	4	4	
10A	.	114550-01340	GASKET, CYL. HEAD	1			1			
10B	.	114650-01340	GASKET, CYL. HEAD		1			1		
10C	.	114970-01340	GASKET, CYL. HEAD			1				1
11	.	114650-01380	O-RING	1	1	1	1	1	1	
12A	.	114650-01411	GASKET, CRANK CASE				1	1	1	
12B	.	114650-01412	GASKET, CRANK CASE	1	1	1				
13A	.	114660-01470	COVER (D), CRANK CASE	1	1	1				
13B	.	114554-01451	COVER (DP), CRANKCASE	1	1	1				(%)
13C	.	114650-01452	COVER (S), CRANK CASE				1	1	1	
15	..	114650-02100	BEARING, MAIN	1	1	1	1	1	1	
16	.	105425-01690	PLUG M16	2	2	2	2	2	2	
17	.	160910-01740	CAP, W/LUB.OIL GAUGE	2	2	2	2	2	2	
19	..	24311-000180	O-RING 1A P-18.0	2	2	2	2	2	2	
20	.	114250-01800	SHIM SET	1	1	1	1	1	1	
22	.	114250-01830	COVER, INSPEC.WINDOW	1	1	1	1	1	1	
23	.	114250-01840	GASKET	1	1	1	1	1	1	
24	.	160110-01870	PLUG, RUBBER W/SCREW	1	1	1	1	1	1	
25	.	114250-35150	PIPE, L.O. INLET	1	1	1				
26	.	183250-39450	SWITCH, OIL PRESSURE	1	1					(Y)
27	.	183279-08350	NIPLE		1					(H)
28	.	22312-080120	PARALLEL PIN 8X12	2	2	2	2	2	2	
29	.	23871-010000	PLUG PT1/8,SCREW	1	1	1	1	1	1	
30	.	26106-080352	BOLT M 8X 35 PLATED	16	16	16	16	16	16	
31	.	26226-060182	STUD M 6X 18 PLATED	1	1	1	1	1	1	
32	.	26226-060222	STUD M 6X 22 PLATED	2	2	2	2	2	2	
33	.	26366-060002	NUT M 6	3	3	3	3	3	3	
34	.	114250-02030	RETAINER, BEARING	1	1	1	1	1	1	
35	.	114650-02150	BALL BEARING	1	1	1	1	1	1	
36	.	24101-062070	BALL BEARING	1	1	1	1	1	1	
37	.	24162-152112	NEEDLE BEARING	1	1	1	1	1	1	
38	.	24423-355008	SEAL, OIL	2	2	2	2	2	2	
39	.	26106-080122	BOLT M 8X 12 PLATED	1	1	1	1	1	1	
40	.	43400-500490	SEAL WASHER 16	2	2	2	2	2	2	
41	.	114650-02200	MAIN BEARING US=0.25	1	1	1	1	1	1	(#)
42	.	114650-02210	MAIN BEARING US=0.50	1	1	1	1	1	1	(#)

----- REMARKS -----

- I (Y) FOR L75AE/90AE-DGMO/DEGMO
- I (H) FOR L90AE-DEPAC
- I (#) UNDERSIZED PARTS
- I (%) FOR L75AE/90AE/100AE-D(E)P

Fig. 30 CYLINDER HEAD & BONNET

SPEC. CODE
D14550-11100
D14650-11100
D14650-11200
D14652-11210



+-----+
I 1F04 I
I (1F02) I
+-----+
Y00R3981

(30) CYLINDER HEAD & BONNET

(A)=L75AE-D/DE (D)=L75AE-S/SE
(B)=L90AE-D/DE (E)=L90AE-S/SE
(C)=L100AE-D/DE (F)=L100AE-S/SE

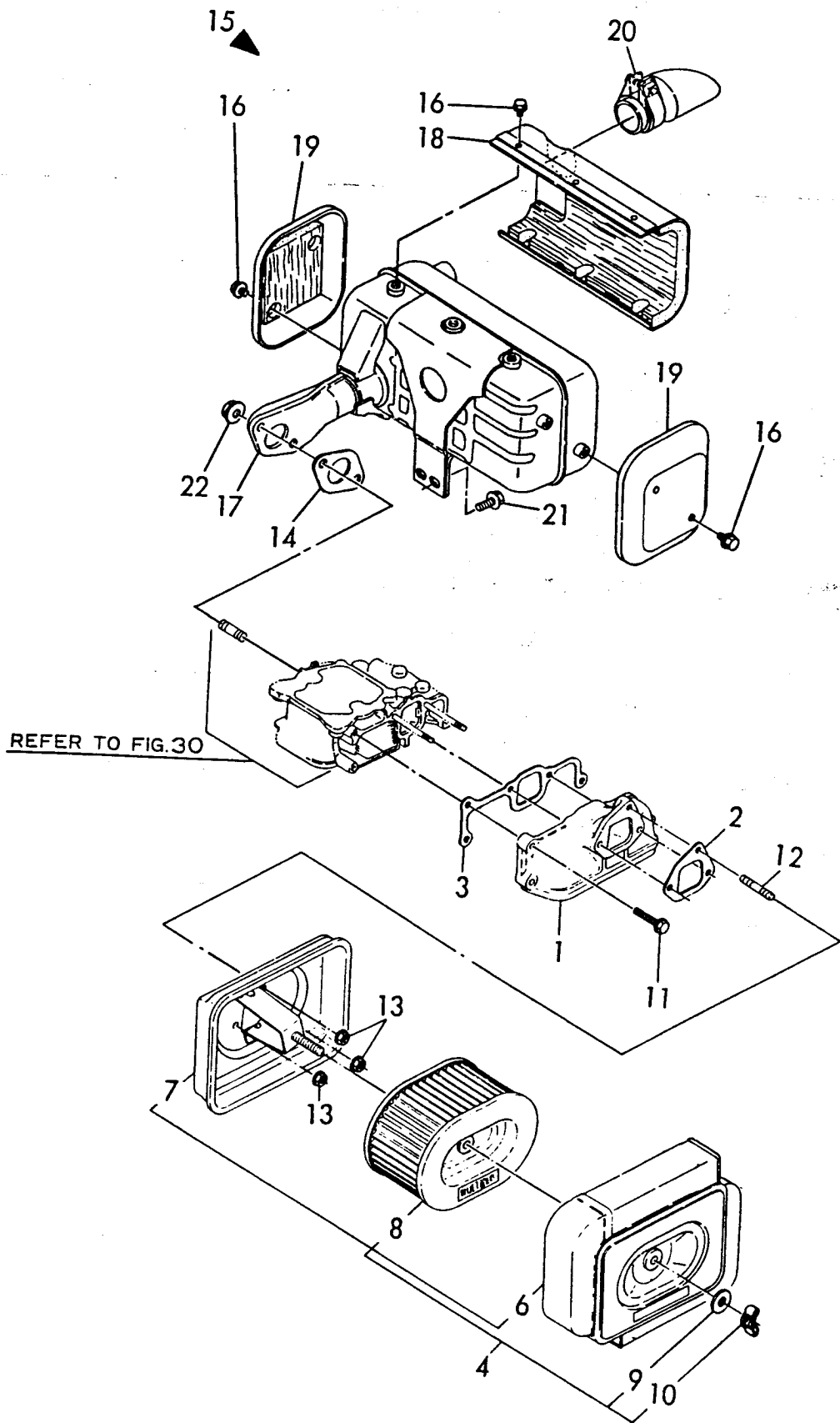
REF. NO.	LEV. 0	PART NO.	DESCRIPTION	-----Q'TY----- I P/U A R					
				(A)	(B)	(C)	(D)	(E)	(F)
1	.	114550-11010	HEAD ASSY, CYLINDER	1			1		
2	.	114650-11010	HEAD ASSY, CYLINDER		1	1		1	1
6	.	114650-11100	VALVE, SUCTION	1	1	1	1	1	1
7	.	114654-11110	VALVE, EXHAUST	1	1	1	1	1	1
8	.	114650-11121	SPRING, VALVE	2	2	2	2	2	2
9	.	119620-11180	RETAINER, SPRING	2	2	2	2	2	2
10	.	27310-070001	COTTER 7	2	2	2	2	2	2
12	.	114650-11261	SUPPORT, ROCKER ARM	1	1	1	1	1	1
13	.	114650-11340	SEAL, VALVE STEM	2	2	2	2	2	2
14	.	114250-11460	GASKET, NOZZLE	1	1	1	1	1	1
15	.	114350-11470	SPACER, NOZZLE	1	1	1	1	1	1
16	.	114650-11600	WASHER	2	2	2	2	2	2
17	.	114650-11652	ARM ASSY, INTAKE	1	1	1	1	1	1
18	..	114250-11240	SCREW, VALVE ADJUST.	1	1	1	1	1	1
19	..	26756-060002	LOCK NUT M 6 PLATED	1	1	1	1	1	1
20	.	714670-11660	ARM ASSY, EXHAUST	1	1	1	1	1	1
21	...	114250-11240	SCREW, VALVE ADJUST.	1	1	1	1	1	1
22	...	26756-060002	LOCK NUT M 6 PLATED	1	1	1	1	1	1
23	..	104211-11370	CAP, VALVE	1	1	1	1	1	1
24	.	104211-11370	CAP, VALVE	1	1	1	1	1	1
25	.	114250-11900	RETAINER, NOZZLE	1	1	1	1	1	1
26	.	22351-040008	SPRING PIN 4X 8	1	1	1	1	1	1
27	.	26106-100552	BOLT M10X 55 PLATED	1	1	1	1	1	1
28	.	26226-060502	STUD M 6X 50	2	2	2	2	2	2
29	.	26226-060752	STUD M 6X 75	2	2	2	2	2	2
30	.	26226-080202	STUD M 8X 20 PLATED	2	2	2	2	2	2
31	.	26366-060002	NUT M 6	2	2	2	2	2	2
32	.	114650-11310	GASKET, BONNET	1	1	1	1	1	1
33	.	114650-11950	BONNET ASSY, HEAD	1	1	1	1	1	1
I 33-1	.	114650-11951	BONNET ASSY, HEAD	1	1	1	1	1	1 N
(A=X)									
34	..	114250-03591	SHAFT ASSY, DECOMP.	1	1	1	1	1	1
36	..	114250-03640	SPRING	1	1	1	1	1	1
37	..	22312-030160	PARALLEL PIN 3X16	1	1	1	1	1	1
38	.	129100-61850	PLUG (12)	1	1	1			(Y)
39	.	26106-060702	BOLT M 6X 70 PLATED	2	2	2	2	2	2

----- REMARKS -----

I (Y) FOR L75AE/90AE/100AE-D(E)P

Fig. 31 AIR CLEANER & MUFFLER

SPEC. CODE
D14650-12100
D14678-13100
D14685-13100



+-----+
 I 1F05 I
 I (1F02) I
 +-----+
 Y00R3981

(31) AIR CLEANER & MUFFLER

(A)=L75AE-D/DE (D)=L75AE-S/SE
 (B)=L90AE-D/DE (E)=L90AE-S/SE
 (C)=L100AE-D/DE (F)=L100AE-S/SE

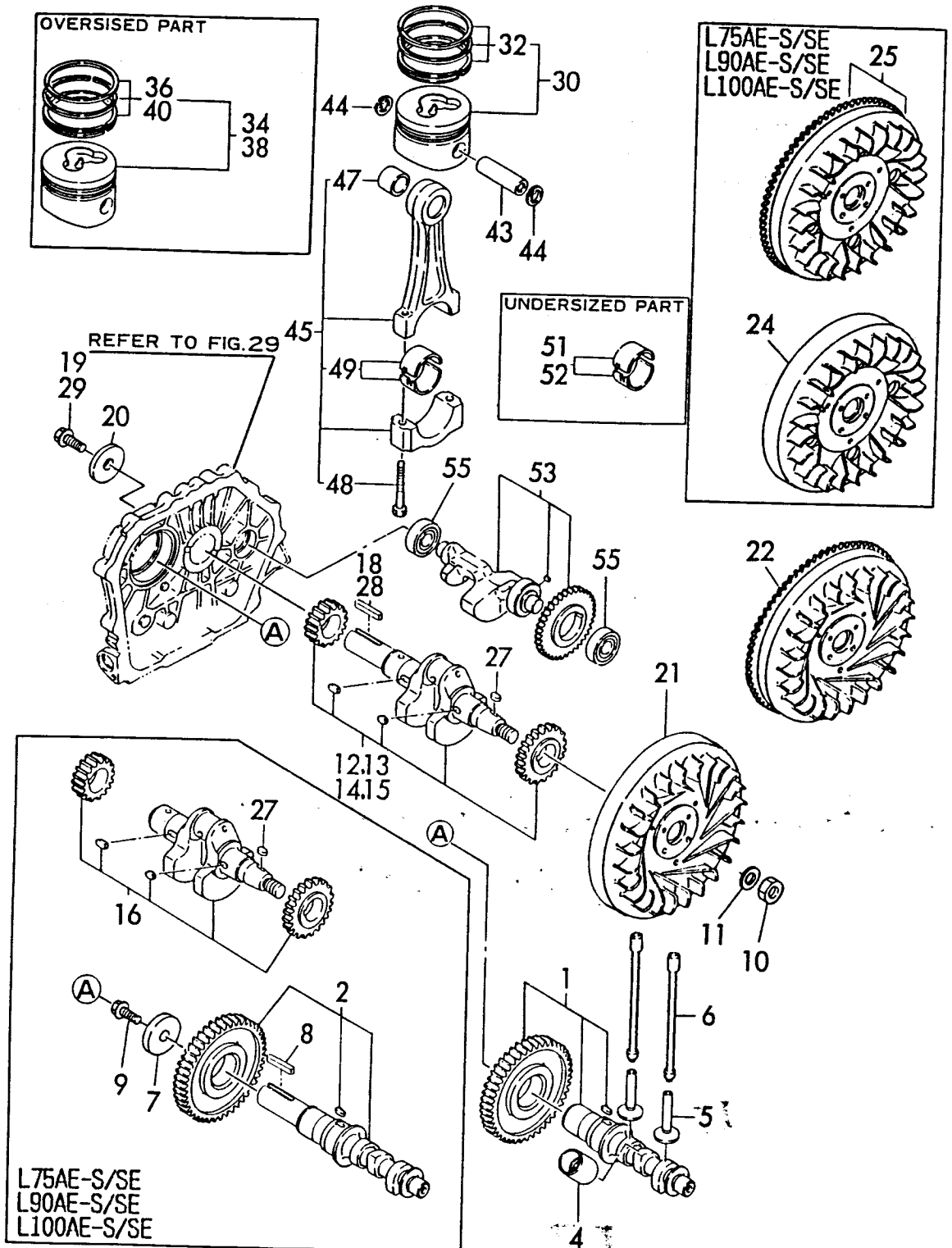
REF. NO.	LEV. 0	PART NO.	DESCRIPTION	-----Q'TY-----						I P/U A R
				(A)	(B)	(C)	(D)	(E)	(F)	
1	.	114650-12020	PIPE, AIR INTAKE	1	1	1	1	1	1	
2	.	114650-12210	GASKET, AIR CLEANER	1	1	1	1	1	1	
3	.	114650-12300	GASKET, AIR INTAKE	1	1	1	1	1	1	
4	.	714650-12560	CLEANER ASSY, AIR	1	1	1	1	1	1	
6	...	114650-12520	COVER, AIR CLEANER	1	1	1	1	1	1	
7	...	114650-12530	CASE, AIR CLEANER	1	1	1	1	1	1	
8	...	114650-12590	ELEMENT W/PRE-FILTER	1	1	1	1	1	1	
9	...	114252-12560	WASHER, SEAL	1	1	1	1	1	1	
10	..	114252-12550	WING NUT M8	1	1	1	1	1	1	
11	.	26106-060252	BOLT M 6X 25 PLATED	3	3	3	3	3	3	
12	.	26226-060142	STUD M 6X 14 PLATED	1	1	1	1	1	1	
13	.	26366-060002	NUT M 6	3	3	3	3	3	3	
14	.	114650-13200	GASKET, MUFFLER	1	1	1	1	1	1	
15	.	114970-13550	MUFFLER ASSY	1	1	1	1	1	1	
16	..	160260-01580	BOLT M 6X 6	10	10	10	10	10	10	
17	..	114970-13560	MUFFLER	1	1	1	1	1	1	
18	..	114970-13700	COVER(A), MUFFLER	1	1	1	1	1	1	
19	..	114970-13710	COVER, MUFFLER	2	2	2	2	2	2	
20	.	114658-13800	EXTENSION, EXH.	1	1	1	1	1	1	(#)
21	.	26106-080162	BOLT M 8X 16 PLATED	2	2	2	2	2	2	
22	.	26366-080002	NUT 8	2	2	2	2	2	2	

----- REMARKS -----

I (#) L75AE/90AE/100AE-D(E)TM/S(E)TM
 I & L75AE/L90AE-D(E)GMO

Fig. 32 CRANKSHAFT, PISTON & CAMSHAFT

SPEC. CODED14971-21100 D14689-21700
 D14970-14100 D14970-21500 D14550-22100
 D14980-14100 D14971-21500 D14560-22100
 D14586-21100 D14980-21500 D14650-22100
 D14688-21100 D14981-21500 D14660-22100
 D14688-21110 D14388-21700 D14650-23100
 D14689-21100 D14680-21700 D14970-28100
 D14980-22100 D14970-22100



L75AE-D/L90AE-D/L100AE-D
 CRANK SHAFT

Ref. No.	MAGNIFIED AXIAL END	S C R E W S I Z E	K E Y S I Z E	Ref. No.	MAGNIFIED AXIAL END	S C R E W S I Z E
12		5/16-24UNF	6.3x50	14		5/16-24UNF
13		M8x1.25	7x14	15		1"-14UNF

(32) CAM/CRANK SHAFT & PISTON/ROD

+-----+
 I 1F06 I
 I (1F02) I
 +-----+
 YOOR3981

(A)=L75AE-D/DE (D)=L75AE-S/SE
 (B)=L90AE-D/DE (E)=L90AE-S/SE
 (C)=L100AE-D/DE (F)=L100AE-S/SE

REF. NO.	LEV. 0	PART NO.	DESCRIPTION	-----Q'TY-----						I P/U A R
				(A)	(B)	(C)	(D)	(E)	(F)	
1	.	714689-14580	CAMSHAFT(D) ASSY.	1	1	1				
2	.	714679-14580	CAMSHAFT(S) ASSY.				1	1	1	
4	.	114650-14200	TAPPET, SUC./EXH.	2	2	2	2	2	2	
5	.	114250-14260	TAPPET, FUEL	1	1	1	1	1	1	
6	.	114650-14401	ROD, PUSH	2	2	2	2	2	2	
7	.	145610-83880	RETAINER				1	1	1	
8	.	22512-070360	KEY 7X 36				1	1	1	
9	.	26106-100252	BOLT M10X 25 PLATED				1	1	1	
10	.	122710-01220	NUT (M18	1	1	1	1	1	1	
11	.	114650-21551	WASHER, FLYWHEEL	1	1	1	1	1	1	
12	.	714689-21700	CRANKSHAFT ASSY(D/DE	1	1	1				(T)
13	.	714689-21720	CRANKSHAFT ASY(EDPAC		1					(H)
14	.	714689-21730	CRANKSHAFT ASY (DGMO	1	1					(Y)
15	.	714689-21760	CRANKSHAFT ASSY. (DP	1	1	1				(#)
16	.	714679-21710	CRANKSHAFT ASSY(S/SE				1	1	1	
18	.	160842-21150	KEY 6.3X50	1	1	1				
19	.	160842-21250	BOLT 7/16-20UNF	1	1	1				
20	.	160842-21260	WASHER	1	1	1				
21	.	114660-21401	FLYWHEEL (D)	1	1	1				
22	.	114662-21592	FLYWHEEL(DE) W/GEAR	1	1	1				
24	.	114650-21401	FLYWHEEL (S)				1	1	1	
25	.	114651-21592	FLYWHEEL(SE), W/GEAR				1	1	1	
27	.	22512-050140	KEY 5X 14	1	1	1	1	1	1	
28	.	22512-070140	KEY 7X 14		1	1				(H)
29	.	26106-080202	BOLT M 8X 20 PLATED		1	1				(H)
30A	.	714560-22723	PISTON W/RINGS	1						
30B	.	714660-22723	PISTON W/RINGS		1					
30C	.	714980-22720	PISTON W/RINGS			1				
30D	.	714550-22723	PISTON W/RINGS				1			
30E	.	714650-22723	PISTON W/RINGS					1		
30F	.	714970-22720	PISTON W/RING						1	
32A	..	714550-22502	RING SET, PISTON	1			1			
32B	..	714650-22502	RING SET, PISTON		1			1		
32C	..	714970-22500	RING SET, PISTON			1			1	
34A	.	714560-22624	PISTON W/RING(OS0.25	1						(%)
34B	.	714660-22624	PISTON W/RING(OS=.25		1					(%)
34C	.	714980-22620	PISTON W/RING(OS0.25			1				(%)
34D	.	714550-22624	PISTON W/RING(OS0.25				1			(%)
34E	.	714650-22624	PISTON W/RING(OS0.25					1		(%)
34F	.	714970-22620	PISTON W/RING(OS0.25						1	(%)
36A	..	714550-22542	RING SET 0.S=0.25	1			1			(%)
36B	..	714650-22542	RING SET 0.S=0.25		1			1		(%)
36C	..	714970-22540	RING SET (0.S 0.25)			1			1	(%)
38A	.	714560-22580	PISTON W/RING(OS0.50	1						(%)
38B	.	714660-22580	PISTON W/RING(OS=0.5		1					(%)
38C	.	714980-22580	PISTON W/RINGS .500S			1				(%)
38D	.	714550-22580	PISTON W/RINGS .500S				1			(%)
38E	.	714650-22580	PISTON W/RING(OS0.50					1		(%)
38F	.	714970-22580	PISTON W/RINGS .500S						1	(%)
40A	..	714550-22550	RING SET 0.S=0.50	1			1			(%)
40B	..	714650-22550	RING SET 0.S=0.50		1			1		(%)
40C	..	714970-22550	RING SET 0.S=0.5			1			1	(%)
43	.	114650-22300	PIN, PISTON	1	1	1	1	1	1	
44	.	129792-22400	CIRCLIP 23	2	2	2	2	2	2	

+-----+
 I 1F07 I
 I(1F02)I
 +-----+
 YOOR3981

(32) CAM/CRANK SHAFT & PISTON/ROD

(A)=L75AE-D/DE (D)=L75AE-S/SE
 (B)=L90AE-D/DE (E)=L90AE-S/SE
 (C)=L100AE-D/DE (F)=L100AE-S/SE

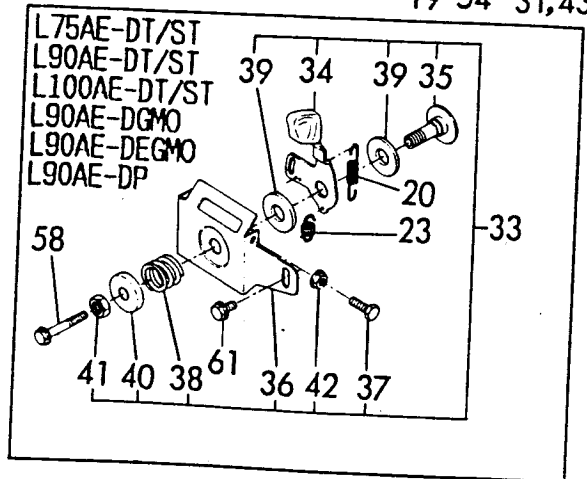
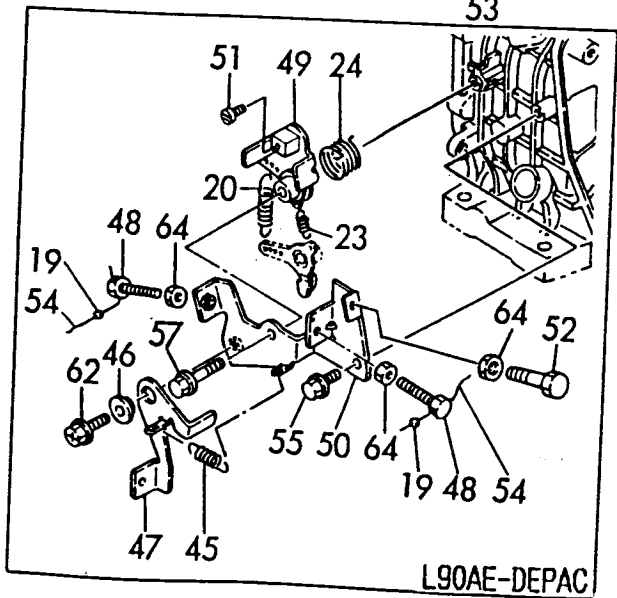
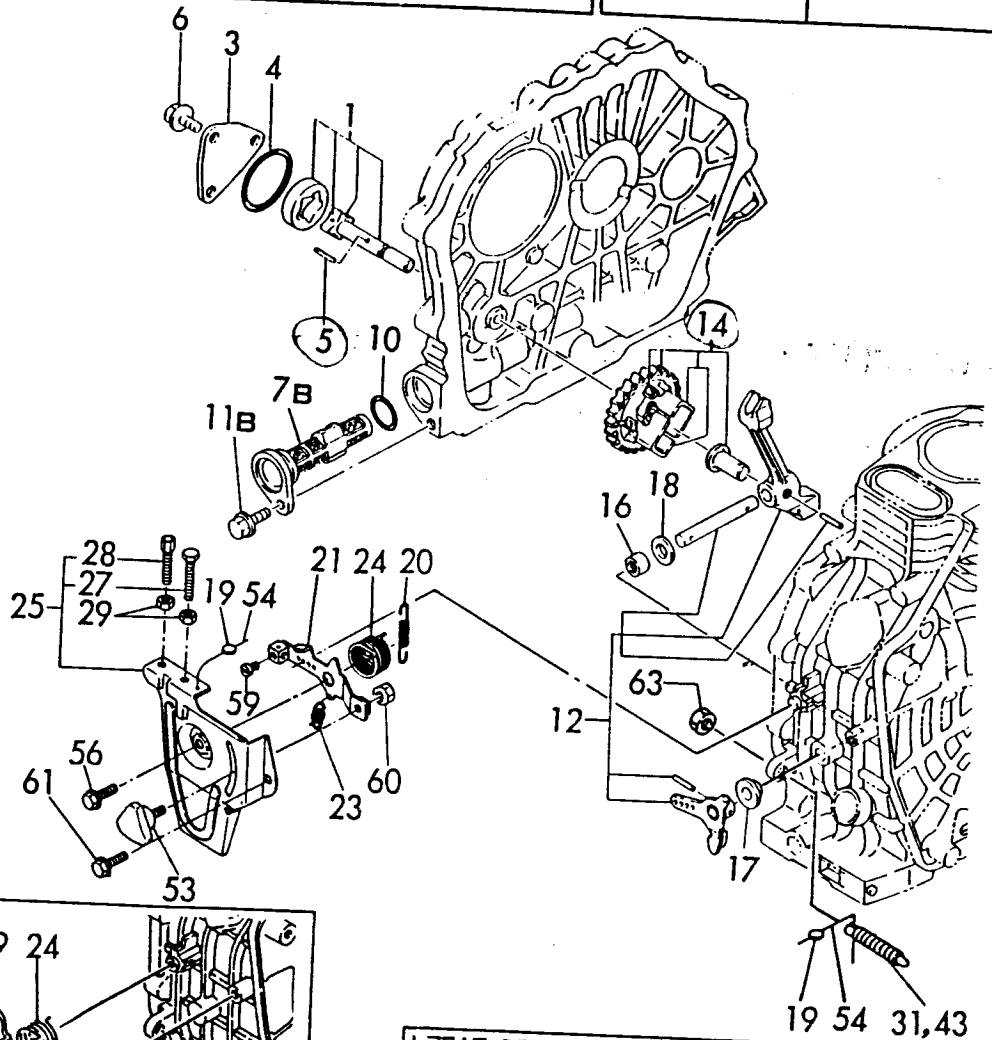
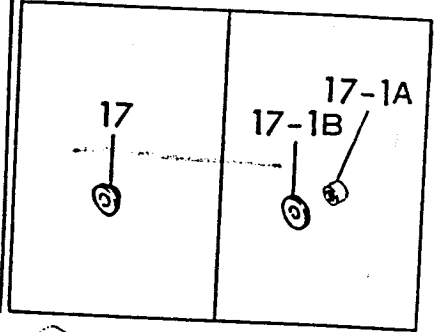
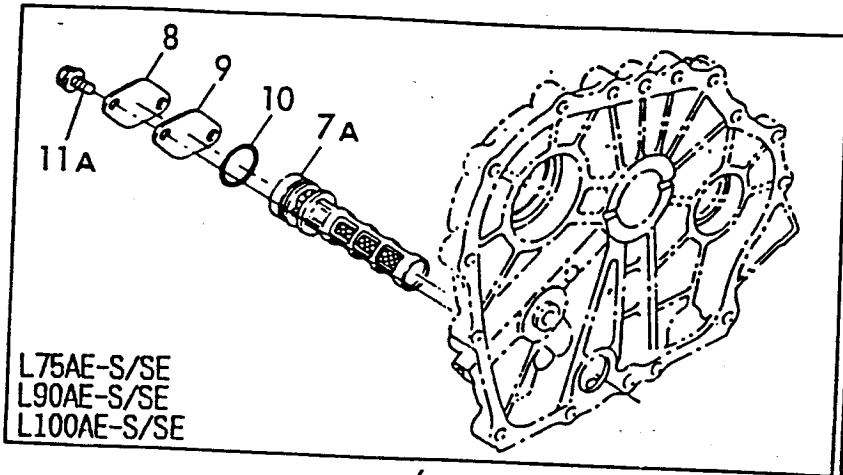
REF. NO.	LEV. 0	PART NO.	DESCRIPTION	-----Q'TY-----						I P/U A R
				(A)	(B)	(C)	(D)	(E)	(F)	
45	.	714650-23700	ROD ASSY, CONNECTING	1	1	1	1	1	1	
47	..	124060-23910	BUSH, PISTON PIN	1	1	1	1	1	1	
48	..	104200-23201	BOLT, ROD	2	2	2	2	2	2	
49	..	714650-23600	BEARING, CRANKPIN	1	1	1	1	1	1	
51	.	714650-23610	BEARING, PIN(U.S=0.25	1	1	1	1	1	1	(X)
52	.	714650-23620	BEARING, PIN(U.S=0.50	1	1	1	1	1	1	(X)
53	.	714689-28510	SHAFT ASSY, BALANCER	1	1	1	1	1	1	
55	.	24101-062034	BALL BEARING	2	2	2	2	2	2	

----- REMARKS -----

- I (X) OVERSIZED & UNDERSIZED PARTS
- I (Y) FOR L75AE/90AE-D(E)GMO
- I (H) FOR L90AE-DEPAC
- I (#) FOR L75AE/90AE/100AE-D(E)P
- I (T) FOR L75AE/90AE/100AE-D/DE
- I L75AE/90AE/100AE-D(E)TM,

Fig. **33** LUB. OIL PUMP & GOVERNOR

SPEC. CODE
 D14970-32100
 D14250-35100
 D14250-35110
 D14970-61100
 D14389-66100
 D14770-66110
 D14770-66120
 D14670-66500
 D14685-66500
 D14270-66800



* 114268-66100

91.07.02

+-----+
I 1F08 I
I (1F02) I
+-----+
YOOR3981

(33) L.O. DEVICE & GOVERNOR CONTROL

(A)=L75AE-D/DE (D)=L75AE-S/SE
(B)=L90AE-D/DE (E)=L90AE-S/SE
(C)=L100AE-D/DE (F)=L100AE-S/SE

REF. NO.	LEV. 0	PART NO.	DESCRIPTION	-----Q'TY-----						I P/U A R
				(A)	(B)	(C)	(D)	(E)	(F)	
1	.	114650-32010	PUMP ASSY, LUB.OIL	1	1	1	1	1	1	
3	.	114250-32070	COVER, LUB. OIL PUMP	1	1	1	1	1	1	
4	.	103338-32570	O-RING	1	1	1	1	1	1	
5	.	22312-030160	PARALLEL PIN 3X16	1	1	1	1	1	1	
6	.	26476-060142	BOLT M 6X 14, TAPPING	3	3	3	3	3	3	
7A	.	114250-35060	STRAINER, LUB. OIL				1	1	1	
7B	.	114250-35070	STRAINER, LUB. OIL	1	1	1				
8	.	114250-35250	COVER				1	1	1	
9	.	114250-35270	GASKET, L.O.STRAINER				1	1	1	
10	.	24341-000224	O-RING 1A S-22.4	1	1	1	1	1	1	
11A	.	26106-060122	BOLT M 6X 12 PLATED				2	2	2	
11B	.	26106-060162	BOLT M 6X 16 PLATED	1	1	1				
12	.	714650-61500	LEVER ASSY, GOVERNOR	1	1	1	1	1	1	
14	.	714970-61700	GOVERNOR ASSY	1	1	1	1	1	1	
16	.	121450-61520	NEEDLE BEARING FJ810	2	2	2	2	2	2	
17	.	114250-61900	BUSH, THRUST	1	1	1	1	1	1	
17-1A	.	114770-61600	SEAL, OIL	1	1	1	1	1	1	F
(A=X)										
17-1B	.	114770-61610	WASHER	1	1	1	1	1	1	F
(A=X)										
18	.	22137-080000	WASHER 8, POLISHED	1	1	1	1	1	1	
19	.	135210-61090	LEAD	2	2	2	2	2	2	
20	.	114970-66010	SPRING, REGULATOR	1	1	1	1	1	1	
21	.	114250-66050	HANDLE, REGULATOR	1	1	1	1	1	1	
23	.	114250-66200	SPRING, RETURN	1	1	1	1	1	1	
24	.	114252-66252	SPRING, RETURN	1	1	1	1	1	1	
25*	.	714268-66500	BRACKET ASSY, REGULAT	1	1	1	1	1	1	
27	...	114250-66440	BOLT, ADJUSTING	1	1	1	1	1	1	
28	...	102100-67080	BOLT, ADJUSTING	1	1	1	1	1	1	
29	..	26757-060002	LOCK NUT M 6 PLATED	2	2	2	2	2	2	
31	.	114650-66500	TORQUE SPRING ASSY	1	1	1	1	1	1	
33	.	183250-66500	BRACKET ASSY, REGULAT	1	1	1				(Y)
34	..	183250-66050	HANDLE, REGULATOR	1	1	1				(Y)
35	..	183250-66070	SHAFT, HANDLE	1	1	1				(Y)
36	..	183250-66100	BRACKET, REGULATOR	1	1	1				(Y)
37	..	114250-66440	BOLT, ADJUSTING	1	1	1				(Y)
38	..	104200-66820	SPRING	1	1	1				(Y)
39	..	104200-66830	PLATE, FRICTION	2	2	2				(Y)
40	..	104200-66850	WASHER (B)	1	1	1				(Y)
41	..	26696-100002	NUT M10	1	1	1				(Y)
42	..	26757-060002	LOCK NUT M 6 PLATED	1	1	1				(Y)
43	.	114650-66600	TORQUE SPRING ASSY	1	1					(#)
45	.	114268-66200	SPRING, RETURN		1					(H)
46	.	114654-66140	PIECE		1					(H)
47	.	114650-66150	LEVER, STOP		1					(H)
48	.	114250-66440	BOLT, ADJUSTING		2					(H)
49	.	X114652-66871	LEVER, REGULATOR		1					(H)
50	.	X114652-66881	BLACKET, LEVER		1					(H)
51	.	105225-66990	SCREW		1					(H)
52	.	102100-67080	BOLT, ADJUSTING		1					(H)
53	.	160725-78350	KNOB (W/M6X15)	1	1	1	1	1	1	
54	.	22451-060000	WIRE 0.6	2	2	2	2	2	2	
55	.	26106-060122	BOLT M 6X 12 PLATED		1					(H)
56	.	26106-060202	BOLT M 6X 20 PLATED	1	1	1	1	1	1	

** CONTINUE **

17-180

(33) L.O. DEVICE & GOVERNOR CONTROL

+-----+
 I 1F09 I
 I(1F02)I
 +-----+
 Y00R3981

(A)=L75AE-D/DE (D)=L75AE-S/SE
 (B)=L90AE-D/DE (E)=L90AE-S/SE
 (C)=L100AE-D/DE (F)=L100AE-S/SE

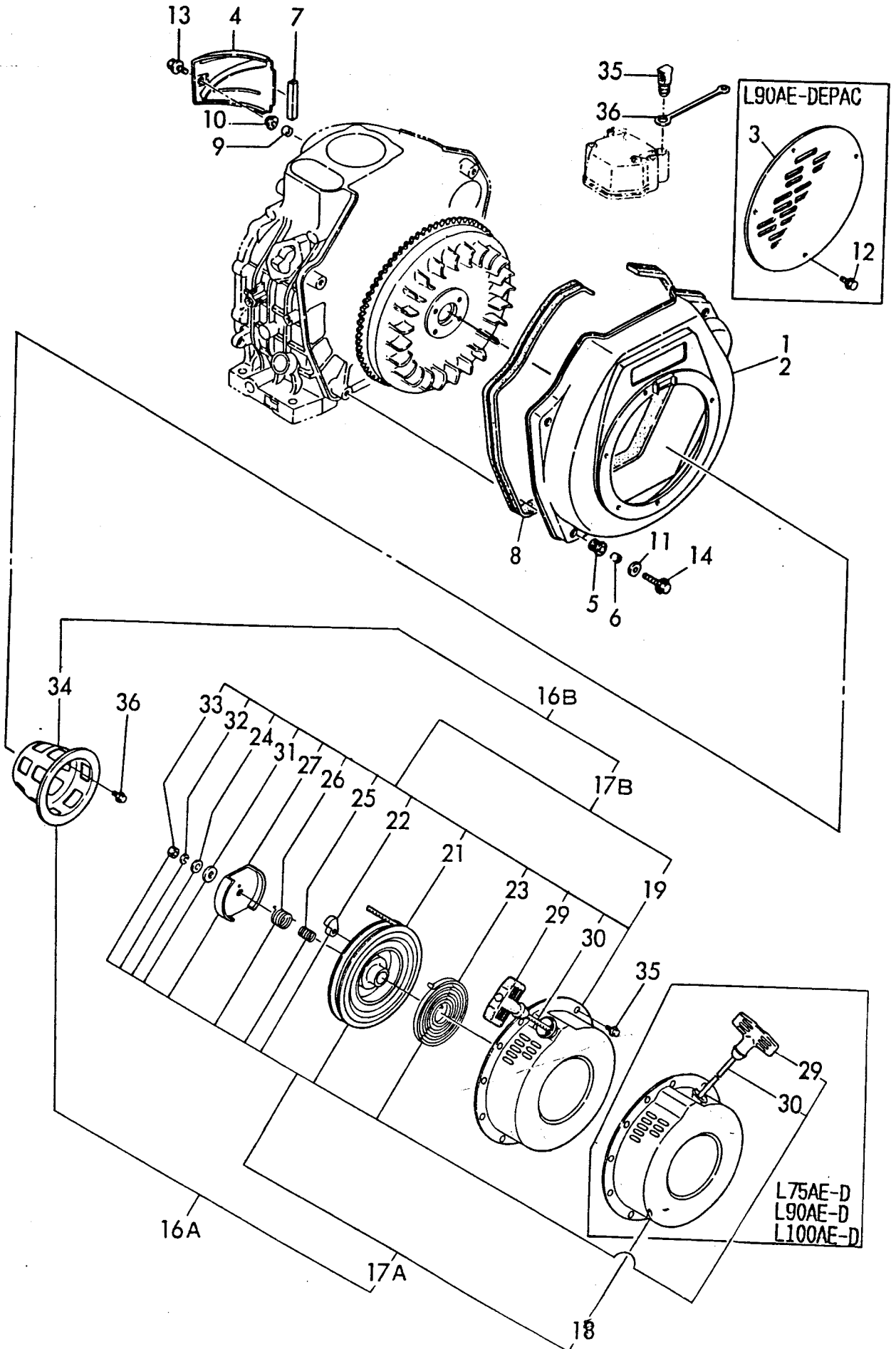
REF. NO.	LEV. 0	PART NO.	DESCRIPTION	-----Q'TY-----						I P/U A R	
				(A)	(B)	(C)	(D)	(E)	(F)		
57	.	26106-060302	BOLT M 6X 30 PLATED		1						(H)
58	.	26106-060452	BOLT M 6X 45 PLATED	1	1	1					(Y)
59	.	26116-040088	BOLT M 4X 8 PLATED	1	1	1	1	1	1		
60	.	26346-060002	U-NUT M 6 PLATED	1	1	1	1	1	1		
61	.	26476-060142	BOLT M 6X 14, TAPPING	1	1	1	1	1	1		
62	.	26476-060202	BOLT M 6X 20, TAPPING		1	1					
63	.	26696-100002	NUT M10	1	1	1	1	1	1		
64	.	26757-060002	LOCK NUT M 6 PLATED	2	3	3	2	2	2		

----- REMARKS -----

I (Y) FOR L75AE/90AE-D(E)GMO &
 I L75AE/90AE/100AE-D(E)P
 I (#) FOR L75AE/90AE-D(E)GMO
 I (H) FOR L90AE-DEPAC

Fig. 34 COOLING & STARTING DEVICE

SPEC. CODE
 D14654-45110
 D14658-45101
 D14668-45101
 D83677-45101
 D14650-76110
 D14654-76120
 D14660-76110



(34) COOLING & RECOIL STARTER

(A)=L75AE-D/DE (D)=L75AE-S/SE
 (B)=L90AE-D/DE (E)=L90AE-S/SE
 (C)=L100AE-D/DE (F)=L100AE-S/SE

+-----+
 I 1F10 I
 I(1F02)I
 +-----+
 YOOR3981

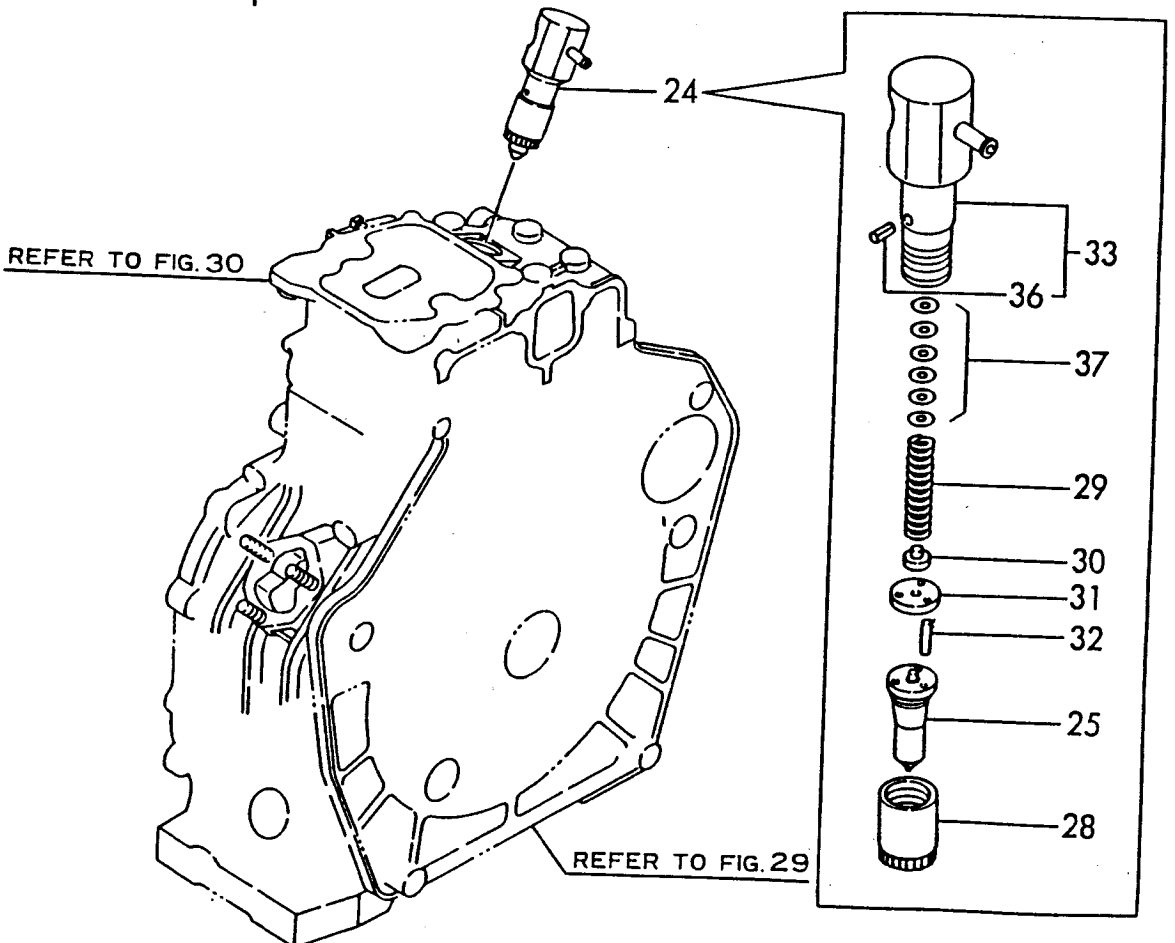
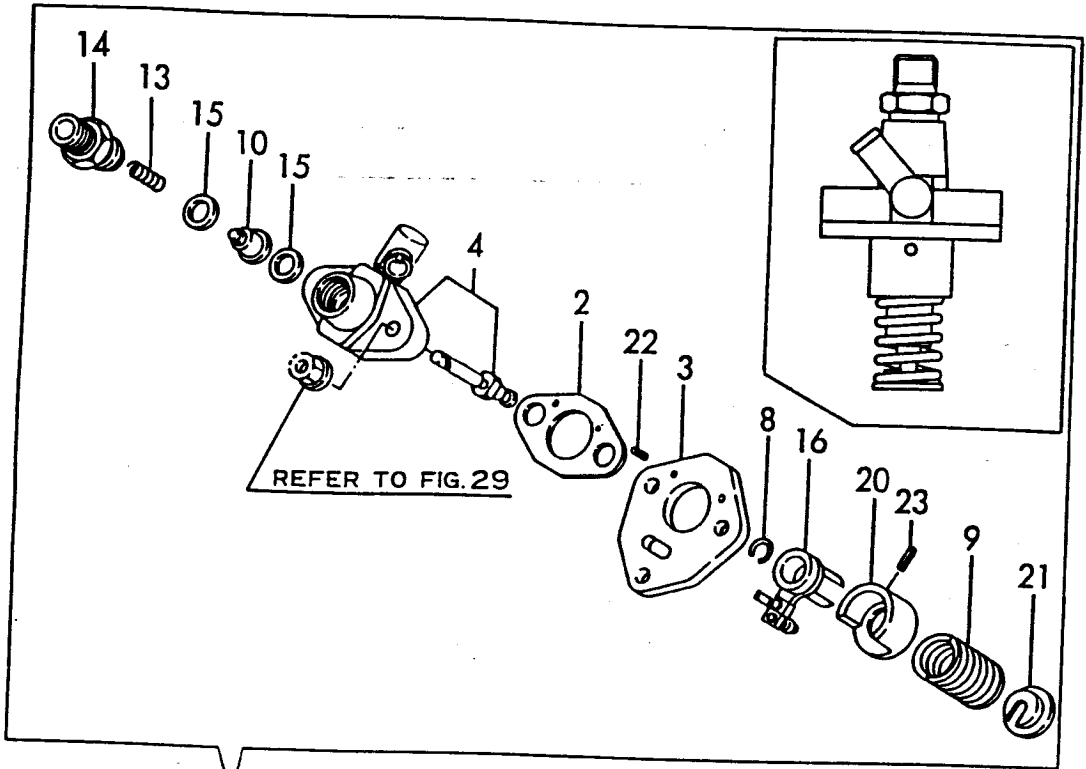
REF. NO.	LEV. 0	PART NO.	DESCRIPTION	-----Q'TY-----						I P/U A R
				(A)	(B)	(C)	(D)	(E)	(F)	
1	.	114668-45102	CASE(D), COOLING FAN	1	1	1				
2	.	114658-45102	CASE(S), COOLING FAN				1	1	1	
3	.	114654-45180	COVER, DUST		1					(Y)
4	.	114650-45200	COVER, CYLINDER	1	1	1	1	1	1	
5	.	114250-45300	RUBBER, CUSHION	4	4	4	4	4	4	
6	.	114250-45310	COLLAR	4	4	4	4	4	4	
7	.	114350-45320	RUBBER, SEAL	1	1	1	1	1	1	
8	.	114650-45330	SEAL, FAN CASE	1	1	1	1	1	1	
9	.	114350-45340	COLLAR	1	1	1	1	1	1	
10	.	183720-55210	GROMMET	1	1	1	1	1	1	
11	.	160120-76940	WASHER	4	4	4	4	4	4	
12	.	26106-060082	BOLT M 6X 8 PLATED		4					(Y)
13	.	26476-060202	BOLT M 6X 20,TAPPING	1	1	1	1	1	1	
14	.	26476-060252	BOLT M 6X 25,TAPPING	4	4	4	4	4	4	
16A	.	114660-76050	RECOIL STARTER(D)ASY	1	1					
16B	.	114650-76050	RECOIL STARTER(S)ASY				1	1		
17A	..	114660-76250	RECOIL STARTER(D)ASY	1	1					
17A-1	..	714660-76821	RECOIL STARTER(D)ASY	1	1	1				N
(A=X)										
17B	..	114650-76250	RECOIL STARTER(S)ASY				1	1		
17B-1	..	714650-76821	RECOIL STARRER(S)ASY				1	1	1	N
(D=X)										
18	...	714660-76831	CASE (D) W/LABEL	1	1	1				
19	...	714650-76831	CASE (S) W/LABEL				1	1	1	
20C	114250-07350	LABEL, YANMAR DIESEL	1	1	1	1	1	1	
21	...	114650-76520	REEL, RECOIL	1	1	1	1	1	1	
22	...	160910-76530	RATCHET	1	1	1	1	1	1	
23	...	114650-76540	SPRING, SPIRAL	1	1	1	1	1	1	
24	...	160910-76550	WASHER, THRUST	1	1	1	1	1	1	
25	...	160910-76560	SPRING, FRICTION	1	1	1	1	1	1	
26	...	160910-76570	SPRING, RETURN	1	1	1	1	1	1	
27	...	160910-76580	PLATE, FRICTION	1	1	1	1	1	1	
29	...	160910-76620	KONB, STARTER	1	1	1	1	1	1	
30	...	114650-76630	ROPE, RECOIL STARTER	1	1	1	1	1	1	
31	...	160910-76650	WASHER (B)	1	1	1	1	1	1	
32	...	22217-060000	SPRING WASHER 6	1	1	1	1	1	1	
33	...	26717-060002	NUT M 6	1	1	1	1	1	1	
34	..	114660-76590	PULLEY, STARTER	1	1	1	1	1	1	
35	.	114250-76600	PLUNGER	1	1	1	1	1	1	
36	.	114250-76610	HOLDER, PLUNGER	1	1	1	1	1	1	
37	.	26106-060082	BOLT M 6X 8 PLATED	4	4	4	4	4	4	
38	.	26106-060122	BOLT M 6X 12 PLATED	3	3	3	3	3	3	
39	.	160710-78710	CLAMP, CORD	1	1	1				

REMARKS

(Y) FOR L90AE-DEPAC
 (H) FOR L75AE/90AE/100AE-D(E)P

Fig. **35** FUEL INJECTION PUMP & VALVE

SPEC. CODE
 D14550-51100 D14650-53100
 D14650-51100



+-----+
 | 1F11 |
 | (1F02) |
 +-----+
 YOOR3981

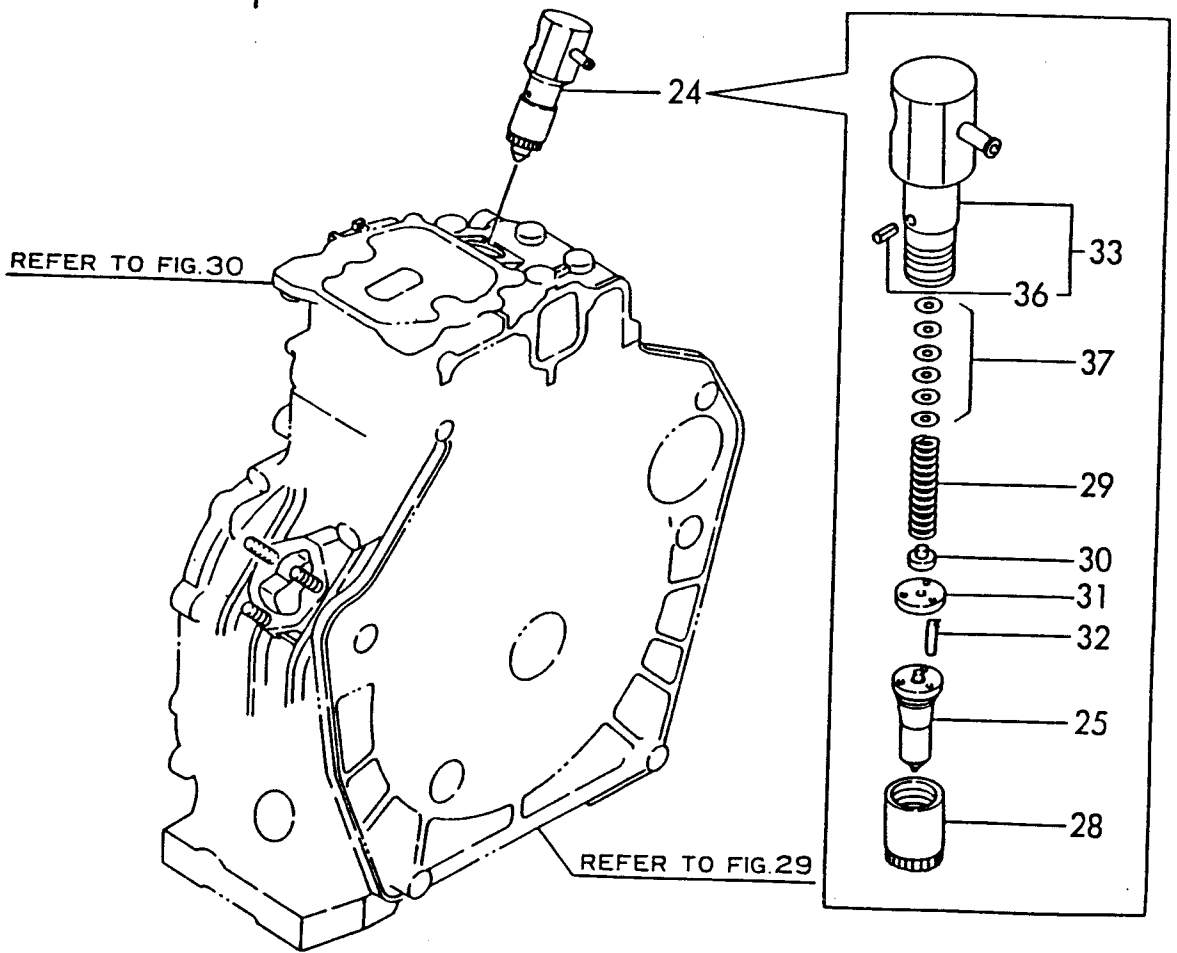
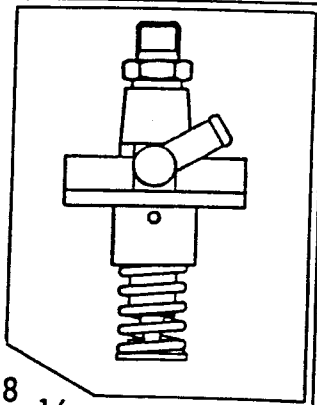
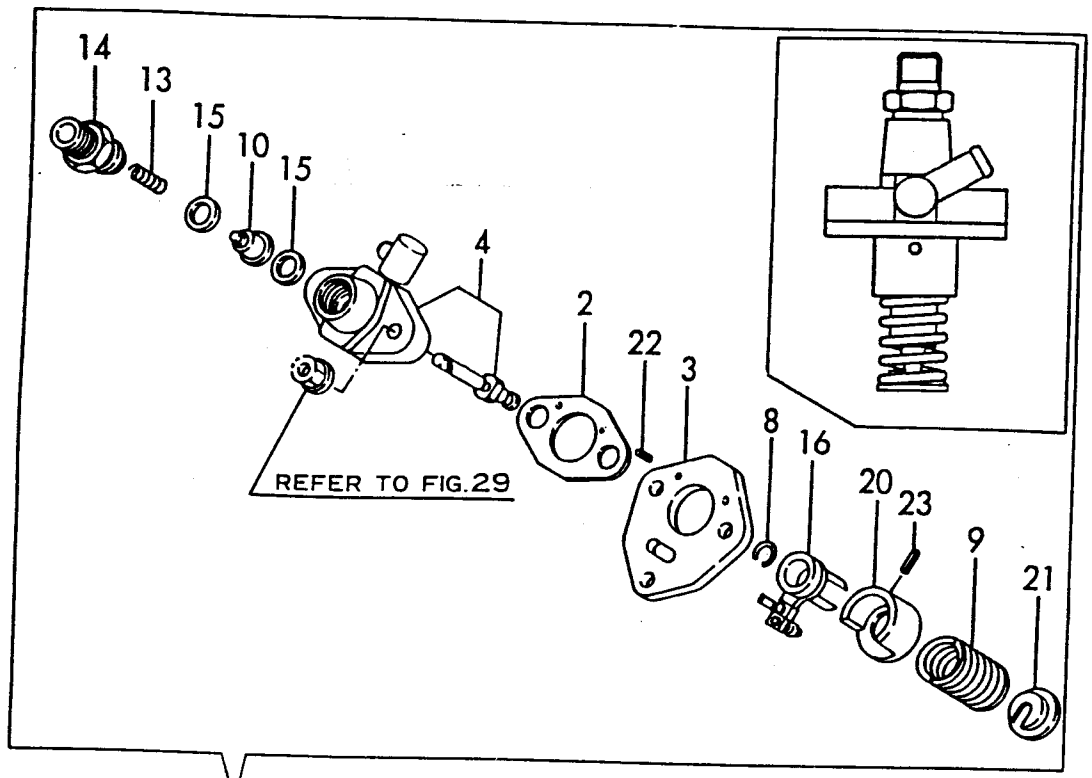
(35) FUEL INJECTION PUMP & VALVE

(A)=L75AE-D/DE (D)=L75AE-S/SE
 (B)=L90AE-D/DE (E)=L90AE-S/SE
 (C)=L100AE-D/DE (F)=L100AE-S/SE

REF. NO.	LEV. 0	PART NO.	DESCRIPTION	-----Q'TY-----						I P/U A R
				(A)	(B)	(C)	(D)	(E)	(F)	
1A	.	714550-51700	FUEL ASSY, F.INJECT.	1			1			
1B	.	714650-51700	PUMP ASSY, F.INJECT.		1			1		
1C	.	714970-51700	PUMP ASSY, F.INJECT.			1				1
2	..	105546-51020	GASKET	1	1	1	1	1	1	
3	..	114250-51080	PLATE	1	1	1	1	1	1	
4A	..	114650-51100	BODY, F.I. PUMP	1	1		1	1		
4B	..	114970-51100	BODY, F. I. PUMP			1				1
8	..	114250-51150	SNAP RING	1	1	1	1	1	1	
9	..	114250-51160	SPRING	1	1	1	1	1	1	
10	..	114650-51300	VALVE ASSY, DELIVERY	1	1	1	1	1	1	
13	..	105546-51330	SPRING, DELIV. VALVE	1	1	1	1	1	1	
14	..	114250-51340	HOLDER, F.I.P.DELIVE	1	1	1	1	1	1	
15	..	124550-51350	GASKET, DELIVERY	2	2	2	2	2	2	
16	..	114250-51600	LEVER ASSY, CONTROL	1	1	1	1	1	1	
20	..	114250-51640	SEAT (A), SPRING	1	1	1	1	1	1	
21	..	114250-51650	SEAT (B), SPRING	1	1	1	1	1	1	
22	..	22351-020006	SPRING PIN 2X 6	2	2	2	2	2	2	
23	..	22351-030008	SPRING PIN 3X 8	1	1	1	1	1	1	
24	.	714650-53100	VALVE ASSY, F.INJECT	1	1	1	1	1	1	
25	..	114650-53000	NOZZLE ASSY, F.INJECT	1	1	1	1	1	1	
28	..	114250-53080	NUT, NOZZLE CASE	1	1	1	1	1	1	
29	..	114250-53120	SPRING, NOZZLE	1	1	1	1	1	1	
30	..	114250-53130	SEAT, NOZZLE SPRING	1	1	1	1	1	1	
31	..	114250-53140	PLATE, STOP	1	1	1	1	1	1	
32	..	114250-53210	PIN	2	2	2	2	2	2	
33	..	114650-53300	HOLDER ASSY, NOZZLE	1	1	1	1	1	1	
36	...	114250-53331	PIN, SPRING	1	1	1	1	1	1	
37	..	114250-53400	SHIM PACK	1	1	1	1	1	1	

Fig. 36 FUEL INJECTION PUMP & VALVE

SPEC. CODE
 D83550-51400
 D83650-51400
 D14650-53100



+-----+
 I 1F12 I
 I (1F02) I
 +-----+
 YOOR3981

(36) FUEL INJECTION PUMP & VALVE

(A)=L75AE-D(E)TM(D)=L75AE-S(E)TM

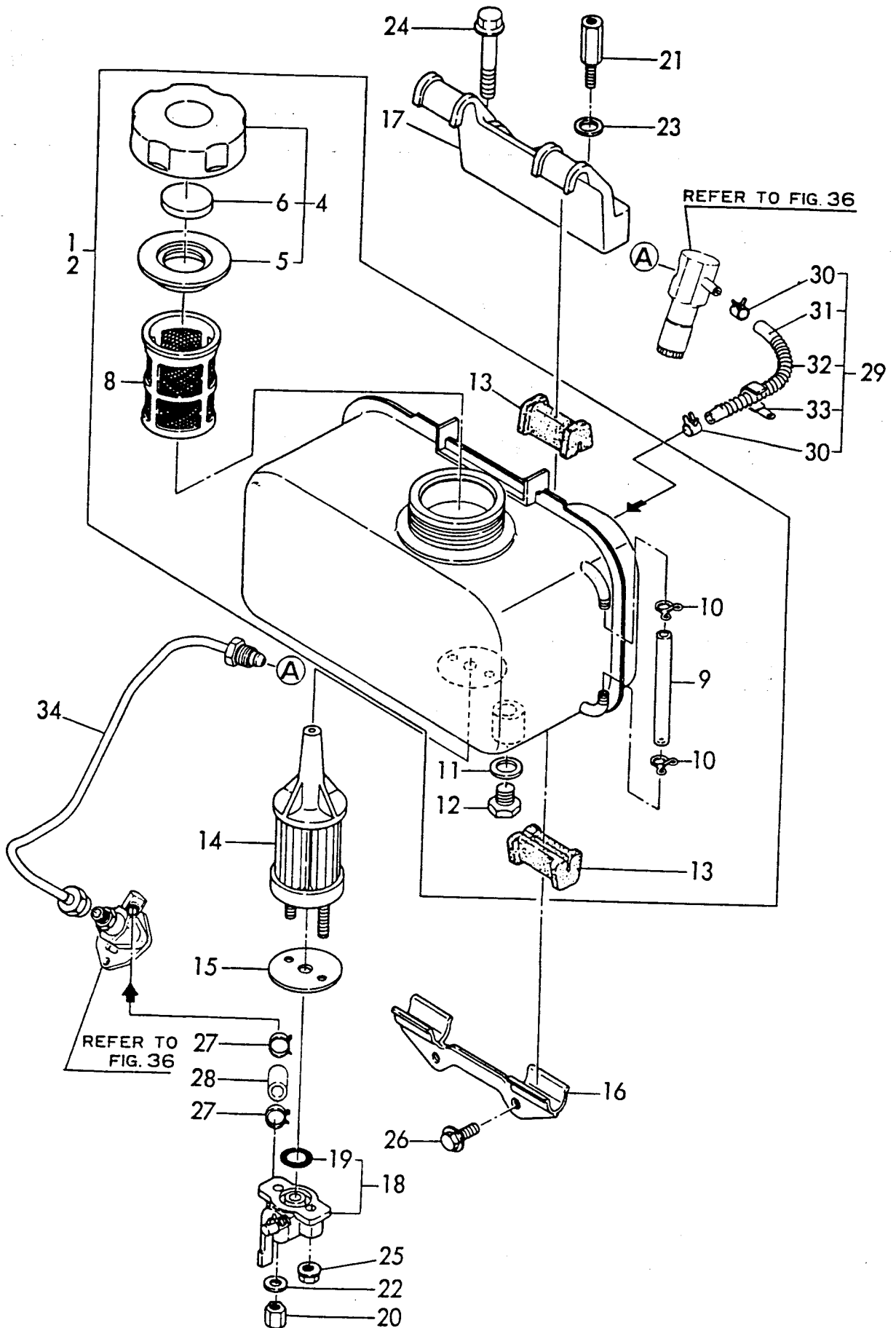
(B)=L90AE-D(E)TM(E)=L90AE-S(E)TM

(C)=L100AE-DETM (F)=L100AE-SETM

REF. NO.	LEV. 0	PART NO.	DESCRIPTION	-----Q'TY----- I P/U A R					
				(A)	(B)	(C)	(D)	(E)	(F)
1A	.	783550-51740	PUMP ASSY. F.INJECT.	1			1		
1B	.	783650-51740	PUMP ASSY. F.INJECT.		1			1	
1C	.	783986-51740	PUMP ASSY. F.INJECT.			1			1
2	..	105546-51020	GASKET	1	1	1	1	1	1
3	..	114250-51080	PLATE	1	1	1	1	1	1
4A	..	183650-51400	BODY, F. I. PUMP	1	1		1	1	
4B	..	183986-51400	BODY, F. I. PUMP			1			1
8	..	114250-51150	SNAP RING	1	1	1	1	1	1
9	..	114250-51160	SPRING	1	1	1	1	1	1
10	..	114650-51300	VALVE ASSY, DELIVERY	1	1	1	1	1	1
13	..	105546-51330	SPRING, DELIV. VALVE	1	1	1	1	1	1
14	..	114250-51340	HOLDER, F.I.P.DELIVE	1	1	1	1	1	1
15	..	124550-51350	GASKET, DELIVERY	2	2	2	2	2	2
16	..	114250-51600	LEVER ASSY, CONTROL	1	1	1	1	1	1
20	..	114250-51640	SEAT (A), SPRING	1	1	1	1	1	1
21	..	114250-51650	SEAT (B), SPRING	1	1	1	1	1	1
22	..	22351-020006	SPRING PIN 2X 6	2	2	2	2	2	2
23	..	22351-030008	SPRING PIN 3X 8	1	1	1	1	1	1
24	.	714650-53100	VALVE ASSY, F.INJECT	1	1	1	1	1	1
25	..	114650-53000	NOZZLE ASSY, F.INJECT	1	1	1	1	1	1
28	..	114250-53080	NUT, NOZZLE CASE	1	1	1	1	1	1
29	..	114250-53120	SPRING, NOZZLE	1	1	1	1	1	1
30	..	114250-53130	SEAT, NOZZLE SPRING	1	1	1	1	1	1
31	..	114250-53140	PLATE, STOP	1	1	1	1	1	1
32	..	114250-53210	PIN	2	2	2	2	2	2
33	..	114650-53300	HOLDER ASSY, NOZZLE	1	1	1	1	1	1
36	...	114250-53331	PIN, SPRING	1	1	1	1	1	1
37	..	114250-53400	SHIM PACK	1	1	1	1	1	1

Fig. 37 FUEL TANK & FUEL LINE

SPEC. CODE
D14650-55100
D14650-59100



(37) FUEL TANK & FUEL PIPE

+-----+
I 1F13 I
I (1F02) I
+-----+
Y00R3981

(A)=L75AE-D/DE (D)=L75AE-S/SE
(B)=L90AE-D/DE (E)=L90AE-S/SE
(C)=L100AE-D/DE (F)=L100AE-S/SE

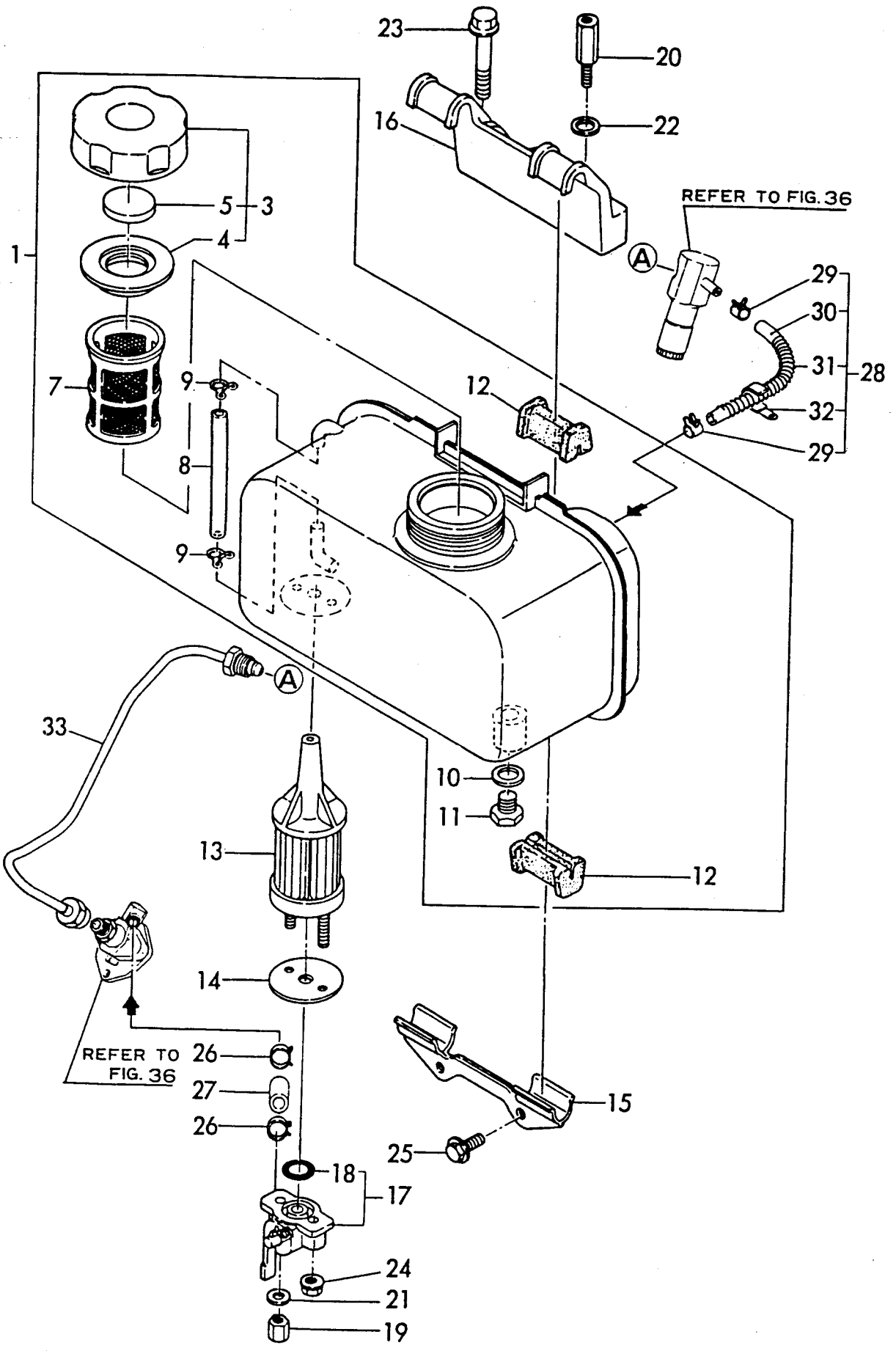
REF. NO.	LEV. 0	PART NO.	DESCRIPTION	-----Q'TY-----						I P/U A R
				(A)	(B)	(C)	(D)	(E)	(F)	
1	.	714569-55701	TANK ASSY, FUEL (D/S)	1	1	1	1	1	1	
2	.	714668-55721	TANK ASSY.FUEL (DGMO)	1	1					(H)
4	..	114250-55041	CAP, TANK	1	1	1	1	1	1	
5	...	114250-55050	GASCET, TANK CAP	1	1	1	1	1	1	
6	...	114250-55060	SEAL	1	1	1	1	1	1	
8	..	114250-55100	FILTER, FUEL	1	1	1	1	1	1	
9	..	114650-55150	PIPE, GAUGE	1	1	1	1	1	1	
10	..	124722-59050	CLAMP 9	2	2	2	2	2	2	
11	..	23414-120000	GASKET 12, ROUND	1	1	1	1	1	1	
12	..	23887-120002	PLUG 12, HEX.	1	1	1	1	1	1	
13	..	114250-55201	DAMPER, FUEL TANK	4	4	4	4	4	4	
14	.	114650-55120	FILTER, FUEL OIL	1	1	1	1	1	1	
15	.	114250-55130	GASKET	1	1	1	1	1	1	
16	.	114250-55211	STAY (A)	1	1	1	1	1	1	
17	.	114650-55230	STAY (B)	1	1	1	1	1	1	
18	.	114250-55300	COCK ASSY, FUEL	1	1	1	1	1	1	
19	..	24341-000150	O-RING 1A S-15.0	1	1	1	1	1	1	
20	.	114252-55800	NUT	1	1	1	1	1	1	
21	.	114650-55810	BOLT, LIFTING	1	1	1	1	1	1	
22	.	22117-060000	WASHER 6	1	1	1	1	1	1	
23	.	22117-080000	WASHER 8	1	1	1	1	1	1	
24	.	26106-080452	BOLT M 8X 45 PLATED	1	1	1	1	1	1	
25	.	26366-060002	NUT M 6	1	1	1	1	1	1	
26	.	26476-060142	BOLT M 6X 14, TAPPING	2	2	2	2	2	2	
27	.	106990-44660	BAND, HOSE	2	2	2	2	2	2	
28	.	114250-59050	PIPE, FUEL OIL	1	1	1	1	1	1	
29	.	114652-59300	PIPE, FUEL RETURN	1	1	1	1	1	1	
30	..	124722-59050	CLAMP 9	2	2	2	2	2	2	
31	..	114250-59060	PIPE, FUEL RETURN	1	1	1	1	1	1	
32	..	114652-59310	TUBE, PROTECT	1	1	1	1	1	1	
33	..	121750-59890	RETAINER	1	1	1	1	1	1	
34	.	114650-59800	PIPE, FUEL INJECTION	1	1	1	1	1	1	

REMARKS

I (H) FOR L75AE/90AE-D (E) GMO

Fig. 38 FUEL TANK & FUEL LINE

SPEC. CODE
D14654-55100
D14668-59110



+-----+
 I 1F14 I
 I (1F02) I
 +-----+
 YOOR3981

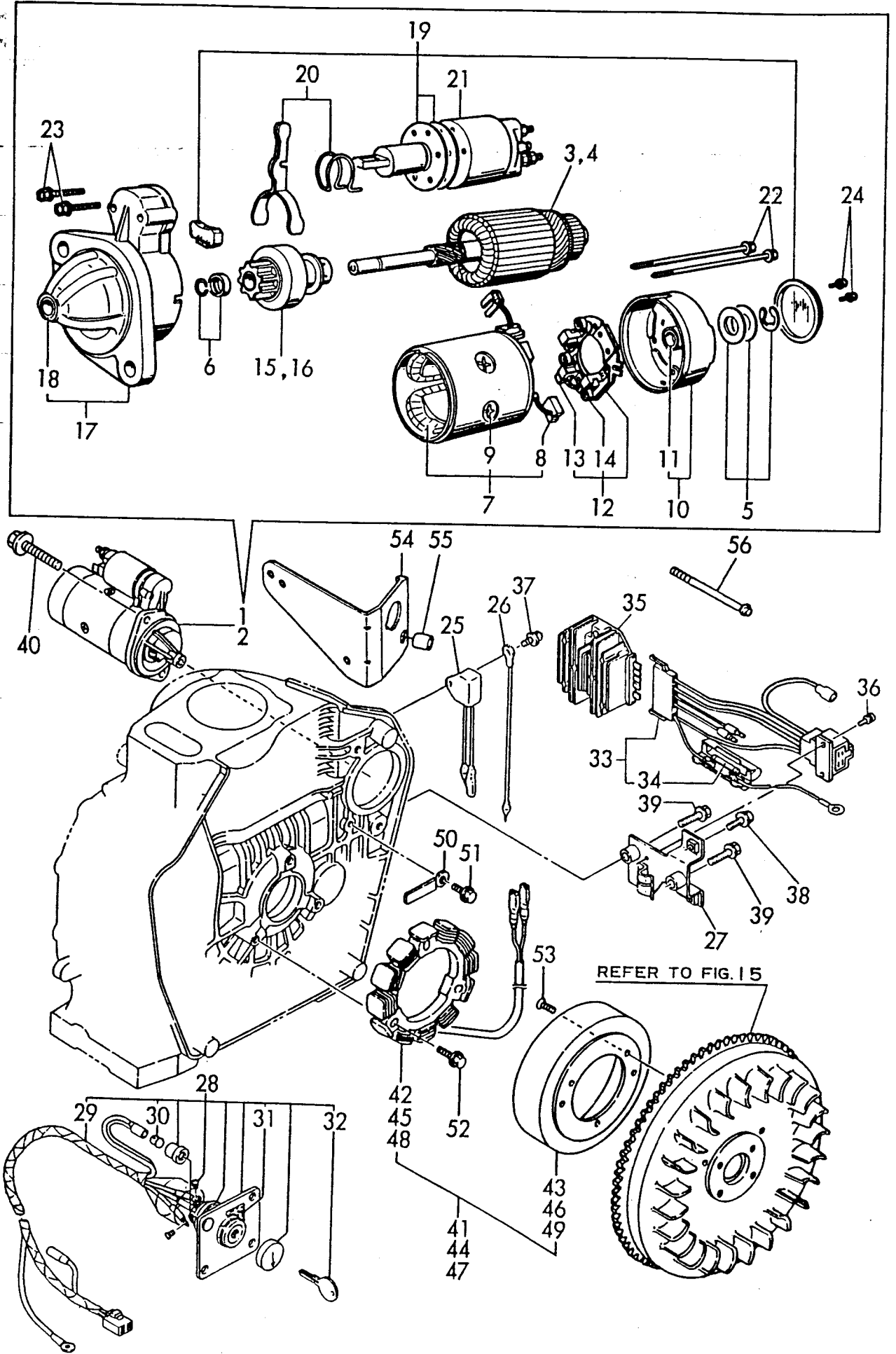
(38) FUEL TANK & FUEL PIPE

(A)=L75AE-D(E)TM(D)=L75AE-S(E)TM
 (B)=L90AE-D(E)TM(E)=L90AE-S(E)TM
 (C)=L100AE-DETM (F)=L100AE-SETM

REF. NO.	LEV. O	PART NO.	DESCRIPTION	-----Q'TY-----						I P/U A R
				(A)	(B)	(C)	(D)	(E)	(F)	
1	.	714668-55700	TANK ASSY. (DTM/STM)	1	1	1	1	1	1	
3	..	114250-55041	CAP, TANK	1	1	1	1	1	1	
4	...	114250-55050	GASCET, TANK CAP	1	1	1	1	1	1	
5	...	114250-55060	SEAL	1	1	1	1	1	1	
7	..	114250-55100	FILTER, FUEL	1	1	1	1	1	1	
8	..	114650-55150	PIPE, GAUGE	1	1	1	1	1	1	
9	..	124722-59050	CLAMP 9	2	2	2	2	2	2	
10	..	23414-120000	GASKET 12, ROUND	1	1	1	1	1	1	
11	..	23887-120002	PLUG 12, HEX.	1	1	1	1	1	1	
12	..	114250-55201	DAMPER, FUEL TANK	4	4	4	4	4	4	
13	.	114650-55120	FILTER, FUEL OIL	1	1	1	1	1	1	
14	.	114250-55130	GASKET	1	1	1	1	1	1	
15	.	114250-55211	STAY (A)	1	1	1	1	1	1	
16	.	114650-55230	STAY (B)	1	1	1	1	1	1	
17	.	114250-55300	COCK ASSY, FUEL	1	1	1	1	1	1	
18	..	24341-000150	O-RING 1A S-15.0	1	1	1	1	1	1	
19	.	114252-55800	NUT	1	1	1	1	1	1	
20	.	114650-55810	BOLT, LIFTING	1	1	1	1	1	1	
21	.	22117-060000	WASHER 6	1	1	1	1	1	1	
22	.	22117-080000	WASHER 8	1	1	1	1	1	1	
23	.	26106-080452	BOLT M 8X 45 PLATED	1	1	1	1	1	1	
24	.	26366-060002	NUT M 6	1	1	1	1	1	1	
25	.	26476-060142	BOLT M 6X 14, TAPPING	2	2	2	2	2	2	
26	.	106990-44660	BAND, HOSE	2	2	2	2	2	2	
27	.	114250-59050	PIPE, FUEL OIL	1	1	1	1	1	1	
28	.	114652-59300	PIPE, FUEL RETURN	1	1	1	1	1	1	
29	..	124722-59050	CLAMP 9	2	2	2	2	2	2	
30	..	114250-59060	PIPE, FUEL RETURN	1	1	1	1	1	1	
31	..	114652-59310	TUBE, PROTECT	1	1	1	1	1	1	
32	..	121750-59890	RETAINER	1	1	1	1	1	1	
33	.	114650-59810	PIPE, FUEL INJECTION	1	1	1	1	1	1	

Fig. 39 STARTING MOTOR & DYNAMO

SPEC. CODED14654-77120
 D14351-77100D14351-78300
 D14361-77110D14351-78350
 D14362-77100D14353-78310
 D14651-77110D14654-77140



+-----+
 I 1F15 I
 I(1F02)I
 +-----+
 YOOR3981

(39) STARTING MOTOR & DYNAMO

(A)=L75AE-DE (D)=L75AE-SE
 (B)=L90AE-DE (E)=L90AE-SE
 (C)=L100AE-DE (F)=L100AE-SE

REF. NO.	LEV. 0	PART NO.	DESCRIPTION	-----Q'TY-----						I	P/U	A	R
				(A)	(B)	(C)	(D)	(E)	(F)				
1	.	114362-77010	STARTER (S114-414A)	1	1	1							
2	.	114351-77010	STARTER (S114-413A				1	1	1				
3	..	X211461104	ARMATURE	1	1	1							
4	..	X211461008	ARMATURE				1	1	1				
5	..	X21148110	WASHER SET, THRUST	1	1	1	1	1	1				
6	..	X21147155	STOPPER SET, PINION	1	1	1	1	1	1				
7	...	X211412105	COIL ASSY, FIELD	1	1	1	1	1	1				
8	...	X21145312	BRUSH (+)	2	2	2	2	2	2				
9	...	X21143215	SCREW, CORE	4	4	4	4	4	4				
10	..	X211473002	COVER, REAR	1	1	1	1	1	1				
11	...	X21145352	METAL	1	1	1	1	1	1				
12	..	X211489001	HOLDER ASSY, BRUSH	1	1	1	1	1	1				
13	...	X21148313	BRUSH (-)	1	1	1	1	1	1				
14	...	X21149314	SPRING, BRUSH	3	3	3	3	3	3				
15	..	X211445508	PINION ASSY	1	1	1							
16	..	X211445504	PINION ASSY				1	1	1				
17	..	X211416603	HOUSING ASSY, GEAR	1	1	1	1	1	1				
18	...	X21145352	METAL	1	1	1	1	1	1				
19	..	X211478006	COVER KIT, DUST	1	1	1	1	1	1				
20	..	X211456013	LEVER KIT, SHIFT	1	1	1	1	1	1				
21	..	X211427501	SWITCH, MAGNETIC	1	1	1	1	1	1				
22	..	X211468005	BOLT, THROUGH	2	2	2	2	2	2				
23	..	X21145867	BOLT 6	2	2	2	2	2	2				
24	..	X21142835	SCREW SET	1	1	1	1	1	1				
25	.	160970-77350	RECTIFIER	1	1	1	1	1	1			97640	
26	.	183350-77400	WIRE, LEAD	1	1	1	1	1	1				
27	.	114253-77410	BRACKET	1	1	1							(Y)
I 27-	1	114385-77400	BRACKET	1	1	1					R		(Y)
	(A=X)											
28	.	114351-77500	PANEL ASSY,KEYSWITCH	1	1	1							(H)
29	..	114351-77700	HARNESS, WIRE	1	1	1							(H)
30	...	29220-083200	BULB (12V/3.4W)	1	1	1							(H)
31	..	105198-07120	LABEL, STARTER	1	1	1							(H)
32	..	106100-77630	KEY, STARTER	1	1	1							(H)
33	.	114351-77540	HARNESS, WIRE	1	1	1							(Y)
34	..	29411-150000	FUSE (15A),CARTRIDGE	2	2	2							(Y)
35	.	119660-77710	CURRENT LIMITER	1	1	1						97643	(Y)
36	.	26023-040102	SCREW M 4X 10	2	2	2							(Y)
37	.	26106-060122	BOLT M 6X 12 PLATED	1	1	1							(Y)
38	.	26106-060202	BOLT M 6X 20 PLATED	2	2	2							(Y)
39	.	26106-060252	BOLT M 6X 25 PLATED	2	2	2	2	2	2				
I 39-	1	26106-060122	BOLT M 6X 12 PLATED	2	2	2	2	2	2		2 R		
	(A=X)											
40	.	26106-100302	BOLT M10X 30 PLATED	2	2	2	2	2	2				
41	.	114351-78250	DYNAMO ASSY	1	1	1	1	1	1				
42	..	114351-78750	STATOR ASSY	1	1	1	1	1	1			97639	
43	..	114351-78760	WHEEL, DYNAMO	1	1	1	1	1	1				
44	.	114351-78260	DYNAMO ASSY (12V-3A)	1	1	1							(H)
45	..	114351-78770	STATOR ASSY,(132.1MM	1	1	1							(H)
46	..	114351-78780	WHEEL (STATOR132.1MM	1	1	1							(H)
47	.	114351-78290	DYNAMO ASSY (12V-15A		1								(#)
48	..	114351-78830	STATOR ASSY,(132.1MM		1								(#)
49	..	114351-78840	WHEEL (STATOR132.1MM		1								(#)
50	.	160710-78710	CLAMP, CORD	1	1	1	1	1	1				

** CONTINUE **

Y053609

+-----+
I 1F16 I
I(1F02)I
+-----+
Y00R3981

(39) STARTING MOTOR & DYNAMO

(A)=L75AE-DE (D)=L75AE-SE
(B)=L90AE-DE (E)=L90AE-SE
(C)=L100AE-DE (F)=L100AE-SE

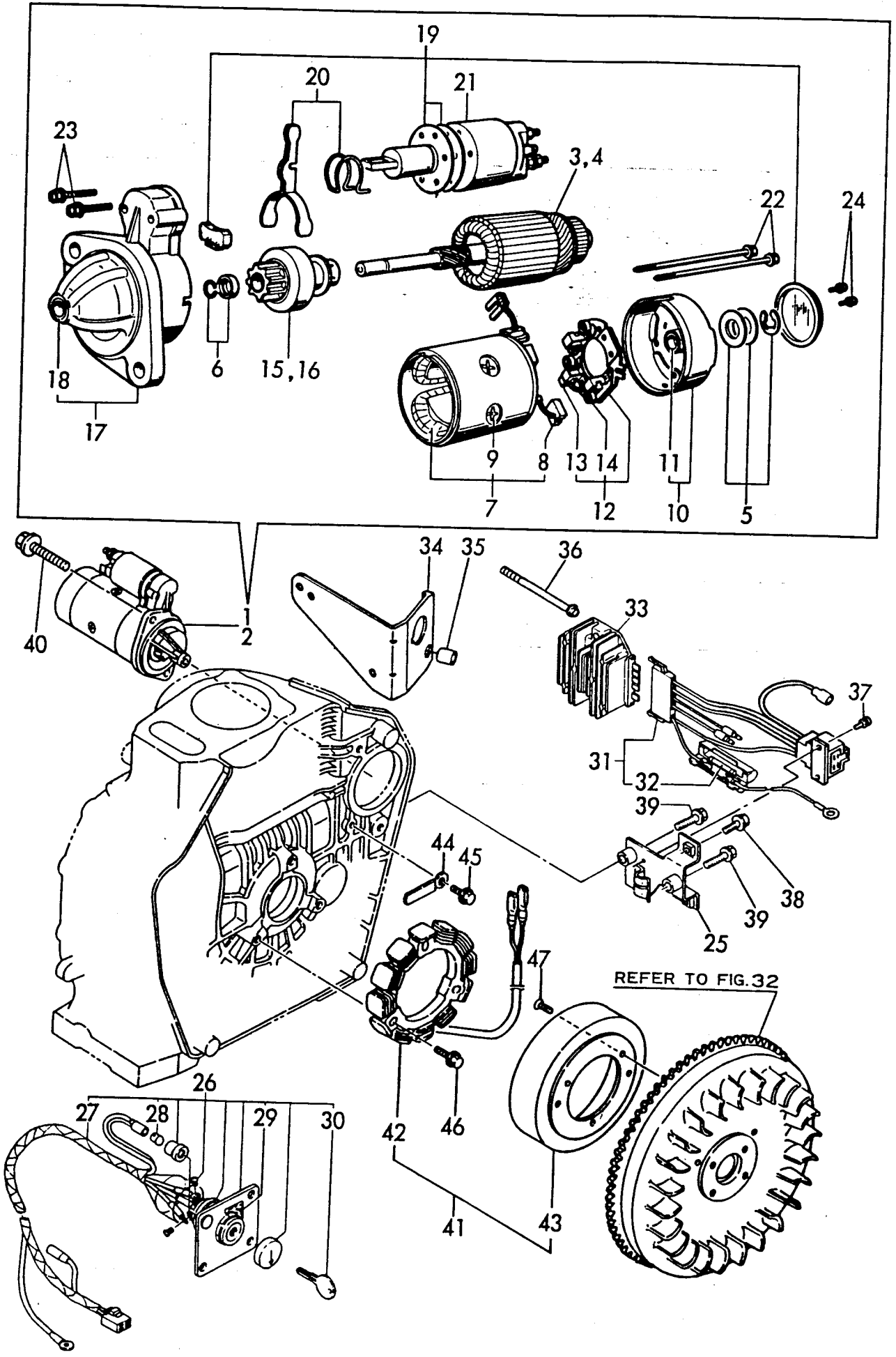
REF. NO.	LEV. 0	PART NO.	DESCRIPTION	-----Q'TY-----						I P/U A R
				(A)	(B)	(C)	(D)	(E)	(F)	
51	.	26476-060142	BOLT M 6X 14,TAPPING	1	1	1	1	1	1	
52	.	26476-060202	BOLT M 6X 20,TAPPING	3	3	3	3	3	3	
53	.	26577-060142	SCREW M 6X 14	3	3	3	3	3	3	
54	.	114351-77620	BRACKET, ST.SWITCH	1	1	1	1	1	1	(%)
55	.	114351-77630	WASHER	2	2	2	2	2	2	(%)
56	.	26106-060702	BOLT M 6X 70 PLATED	2	2	2	2	2	2	(%)

----- REMARKS -----

I(Y) FOR L90AE-DEPAC, L75AE/90AE/100AE
I -D(E)P
I(#) FOR L90AE-DEPAC
I(X) OPTIONAL PARTS
I(H) FOR L75AE/90AE/100AE-D(E)P

Fig. 40 STARTING MOTOR & DYNAMO

SPEC. CODE
D14361-77110
D14651-77110
D14654-77140
D14353-78310



+-----+
 I 1G01 I
 I(1F02)I
 +-----+
 YQQR3981

(40) STARTING MOTOR & DYNAMO

(A)=L75AE-DETM (D)=L75AE-SETM
 (B)=L90AE-DETM (E)=L90AE-SETM
 (C)=L100AE-DETM (F)=L100AE-SETM

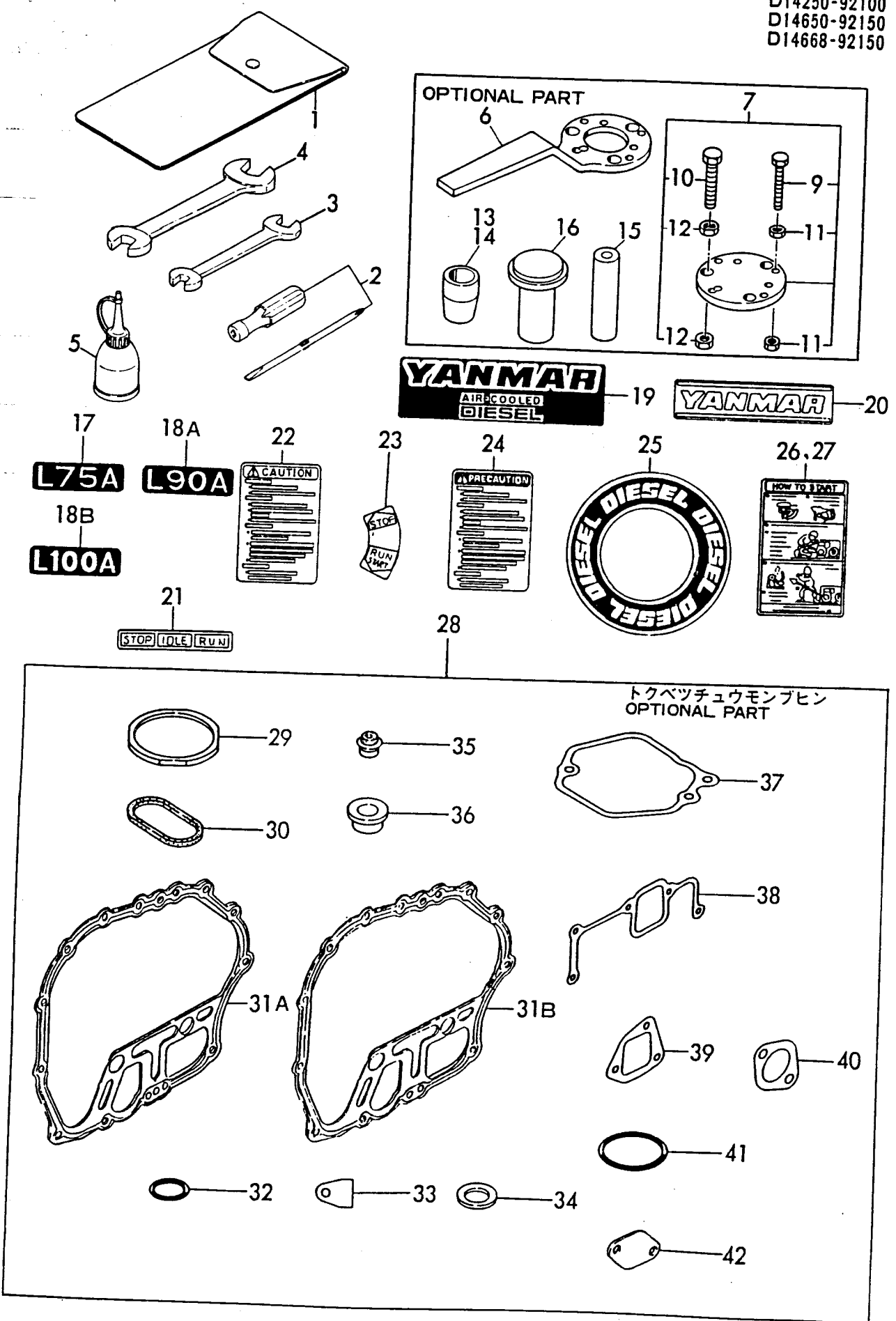
REF. NO.	LEV. 0	PART NO.	DESCRIPTION	-----Q'TY-----						I	P/U	A	R
				(A)	(B)	(C)	(D)	(E)	(F)				
1	.	114362-77010	STARTER (S114-414A)	1	1	1							
2	.	114351-77010	STARTER (S114-413A				1	1	1				
3	..	X211461104	ARMATURE	1	1	1							
4	..	X211461008	ARMATURE				1	1	1				
5	..	X21148110	WASHER SET, THRUST	1	1	1	1	1	1				
6	..	X21147155	STOPPER SET, PINION	1	1	1	1	1	1				
7	...	X211412105	COIL ASSY, FIELD	1	1	1	1	1	1				
8	...	X21145312	BRUSH (+)	2	2	2	2	2	2				
9	...	X21143215	SCREW, CORE	4	4	4	4	4	4				
10	..	X211473002	COVER, REAR	1	1	1	1	1	1				
11	...	X21145352	METAL	1	1	1	1	1	1				
12	..	X211489001	HOLDER ASSY, BRUSH	1	1	1	1	1	1				
13	...	X21148313	BRUSH (-)	1	1	1	1	1	1				
14	...	X21149314	SPRING, BRUSH	3	3	3	3	3	3				
15	..	X211445508	PINION ASSY	1	1	1							
16	..	X211445504	PINION ASSY				1	1	1				
17	..	X211416603	HOUSING ASSY, GEAR	1	1	1	1	1	1				
18	...	X21145352	METAL	1	1	1	1	1	1				
19	..	X211478006	COVER KIT, DUST	1	1	1	1	1	1				
20	..	X211456013	LEVER KIT, SHIFT	1	1	1	1	1	1				
21	..	X211427501	SWITCH, MAGNETIC	1	1	1	1	1	1				
22	..	X211468005	BOLT, THROUGH	2	2	2	2	2	2				
23	..	X21145867	BOLT 6	2	2	2	2	2	2				
24	..	X21142835	SCREW SET	1	1	1	1	1	1				
25	.	114253-77410	BRACKET	1	1	1	1	1	1				
I 25-	1	114385-77400	BRACKET	1	1	1	1	1	1			R	
		(A=X)											
26	.	114351-77500	PANEL ASSY,KEYSWITCH	1	1	1	1	1	1				
27	..	114351-77700	HARNES, WIRE	1	1	1	1	1	1				
28	...	29220-083200	BULB (12V/3.4W)	1	1	1	1	1	1				
29	..	105198-07120	LABEL, STARTER	1	1	1	1	1	1				
30	..	106100-77630	KEY, STARTER	1	1	1	1	1	1				
31	.	114351-77540	HARNES, WIRE	1	1	1	1	1	1				
32	..	29411-150000	FUSE (15A),CARTRIDGE	2	2	2	2	2	2				
33	.	119660-77710	CURRENT LIMITER	1	1	1	1	1	1				
34	.	114351-77620	BRACKET, ST.SWITCH	1	1	1	1	1	1			(H)	
35	.	114351-77630	WASHER	2	2	2	2	2	2			(H)	
36	.	26106-060702	BOLT M 6X 70 PLATED	2	2	2	2	2	2			(H)	
37	.	26023-040102	SCREW M 4X 10	2	2	2	2	2	2				
38	.	26106-060202	BOLT M 6X 20 PLATED	2	2	2	2	2	2				
39	.	26106-060252	BOLT M 6X 25 PLATED	2	2	2	2	2	2				
I 39-	1	26106-060122	BOLT M 6X 12 PLATED	2	2	2	2	2	2			N	
		(A=X)											
40	.	26106-100302	BOLT M10X 30 PLATED	2	2	2	2	2	2				
41	.	114351-78260	DYNAMO ASSY (12V-3A)	1	1	1	1	1	1				
42	..	114351-78770	STATOR ASSY,(132.1MM	1	1	1	1	1	1				
43	..	114351-78780	WHEEL (STATOR132.1MM	1	1	1	1	1	1				
44	.	160710-78710	CLAMP, CORD	1	1	1	1	1	1				
45	.	26476-060142	BOLT M 6X 14,TAPPING	1	1	1	1	1	1				
46	.	26476-060202	BOLT M 6X 20,TAPPING	3	3	3	3	3	3				
47	.	26577-060142	SCREW M 6X 14	3	3	3	3	3	3				

----- REMARKS -----

I(H) OPTIONAL PARTS

SPEC. CODE
 D14578-07100
 D14578-07120
 D14678-07100
 D14688-07100
 D14689-07100
 D14250-92100
 D14650-92150
 D14668-92150

Fig. 41 LABEL, TOOL & GASKET SET



+-----+
I 1602 I
I(1F02)I
+-----+
Y00R3981

(41) TOOLS / LABELS & GASKET SET

(A)=L75AE-D/DE (D)=L75AE-S/SE
(B)=L90AE-D/DE (E)=L90AE-S/SE
X(C)=L100AE-D/DE (F)=L100AE-S/SE

REF. NO.	LEV. 0	PART NO.	DESCRIPTION	-----Q'TY-----						I P/U A R
				(A)	(B)	(C)	(D)	(E)	(F)	
1	.	114250-92600	BAG, TOOL	1	1	1	1	1	1	
2	.	160330-92730	SCREWDRIVER	1	1	1	1	1	1	
3	.	28110-100120	WRENCH 10X12	1	1	1	1	1	1	
4	.	28110-140170	WRENCH 14X17	1	1	1	1	1	1	
5	.	28210-000150	FEEDER, OIL	1	1	1	1	1	1	
6	.	114250-92101	F.W. LOCKING HANDLE	1	1	1	1	1	1	(Y)
7	.	114250-92130	REMOVER, FLYWHEEL	1	1	1	1	1	1	(Y)
9	..	26116-060454	BOLT M 6X 45 PLATED	4	4	4	4	4	4	(Y)
10	..	26116-080454	BOLT M 8X 45 PLATED	3	3	3	3	3	3	(Y)
11	..	26716-060002	NUT M 6	8	8	8	8	8	8	(Y)
12	..	26716-080002	NUT M 8	6	6	6	6	6	6	(Y)
13	.	114668-92300	GUIDE, OIL SEAL	1	1	1				(Y)
14	.	114650-92300	GUIDE, OIL SEAL				1	1	1	(Y)
15	.	114650-92310	INSTALLING TOOL	1	1	1	1	1	1	(Y)
16	.	114650-92350	INSTALLING TOOL	1	1	1	1	1	1	(Y)
17	.	114570-07050	LABEL, (L75A)	1			1			
18A	.	114670-07050	LABEL, (L90A)		1			1		
18B	.	114970-07050	LABEL, (L100A)			1			1	
19	.	114250-07090	LABEL, AIR COOLED	1	1	1	1	1	1	
20A	.	114250-07110	LABEL, YANMAR	1	1	1	1	1	1	
20B	.	183250-07110	LABEL, YANMAR	1	1	1				
21	.	183250-07230	LABEL, OPERATION	1	1	1		1	1	
22	.	114268-07240	LABEL, CAUTION	1	1	1	1	1	1	
23	.	114250-07260	LABEL, OPERATION	1	1	1	1	1	1	
24	.	114268-07280	LABEL, PRECAUTION		1	1				
25	.	114250-07350	LABEL, YANMAR DIESEL	1	1	1	1	1	1	
26	.	114268-07350	LABEL, HOW TO START	1	1	1	1	1	1	
27	.	114268-07360	LABEL, HOW TO START (F		1	1				
28A	.	714589-92600	GASKET SET	1			1			
28B	.	714689-92600	GASKET SET		1			1		
28C	.	714970-92600	GASKET SET			1			1	
29A	..	114550-01340	GASKET, CYL. HEAD	1			1			
29B	..	114650-01340	GASKET, CYL. HEAD		1			1		
29C	..	114970-01340	GASKET, CYL. HEAD			1			1	
30	..	114650-01380	O-RING	1	1	1	1	1	1	
31A	..	114650-01412	GASKET, CRANK CASE	1	1	1	1	1	1	
31B	..	114650-01411	GASKET, CRANK CASE	1	1	1	1	1	1	
32	..	24311-000180	O-RING 1A P-18.0	2	2	2	2	2	2	
33	..	114250-01840	GASKET	1	1	1	1	1	1	
34	..	43400-500490	SEAL WASHER 16	2	2	2	2	2	2	
35	..	114650-11340	SEAL, VALVE STEM	2	2	2	2	2	2	
36	..	114250-11460	GASKET, NOZZLE	1	1	1	1	1	1	
37	..	114650-11310	GASKET, BONNET	1	1	1	1	1	1	
38	..	114650-12300	GASKET, AIR INTAKE	1	1	1	1	1	1	
39	..	114650-12210	GASKET, AIR CLEANER	1	1	1	1	1	1	
40	..	114650-13200	GASKET, MUFFLER	1	1	1	1	1	1	
41	..	103338-32570	O-RING	1	1	1	1	1	1	
42	..	114250-35270	GASKET, L.O. STRAINER	1	1	1	1	1	1	

----- REMARKS -----

(Y) OPTIONAL PARTS