



# PARTS CATALOG

Published 2010/11 (Nov.)

0CR10-G73800

# Introduction

1. This parts catalog is a first edition of the L48N5EK9F9HAMA Diesel engine for Italian Dealers.

	Parts catalog No.	Date of issue	Remarks
First edition	000Y00R7380	Aug. , 2008	

2. This parts catalog does not contain the technical data needed for maintenance service.

3. The illustrations used in this parts catalog have been simplified for clarity.

4. The contents of this parts catalog are subject to change without notice.

5. Be sure to use only Yanmar genuine parts for repairs. If imitation parts are used, it may cause engine defects.

## Directions for the Parts Catalog.

1. The parts stipulated in this Parts Catalog are not necessarily standard equipped parts.
2. Parts may change without prior notice.
3. The following is an example of the Parts Catalog format.

OCF10-G21601 29. FUEL INJECTION PUMP(W/BOOST)

REF.	LEV.	PARTS NO.	DESCRIPTION	Q'TY						I	R
				(A)	(B)	(C)	(D)	(E)	(F)		
1	1	729595-51390	FUEL INJECTION PUMP	1	1	1	1	1			1
1-1	1	729595-51391	FUEL INJECTION PUMP	1	1	1	1	1		N	1
		(A=E00185) (B=E00200)									
3	2	26022-060162	SCREW M 6X 16	9	9	9	9	9			
3-1	2	26022-060162	SCREW M 6X 16	4	4	4	4	4		K	
		(A=E00156) (B=E00156) (C=E00156) (D=E00156) (E=E00156)									
4	2	129470-51040	CAMSHAFT	1	1	1	1	1			
5	2	122710-51050	BEARING, ROLLER	2	2	2	2	2			
6	2	129470-51060	RETAINER	1	1	1	1	1			

Remarks

(1) BOOST COMPEMSATOR TYPE. OPTIONAL PART, TO E00155,(4JH-DT, 4JH-DTZ

### ① Ref. No.

The Ref. No. listed may not be in accordance with the illustration Ref. No.

(Ex.) Illustration No.

List Ref No.

1

1

(Before change) → 1-1 (After change)

For interchangeable symbols N, R and K, illustrations for new parts may be abbreviated.

### ② Lev. (Level)

Level indication

The numbers below indicate the level of relativity towards the main part.

1 ----- Main parts (Assembly parts)

2 ----- Sub component included in " 1 ".

3 ----- Sub component included in " 2 ".

Note) Parts that are not for sale are partially illustrated but not listed.

### ③ Interchangeability Mark

When a part change takes place, one of the following interchangeability symbols is indicated beside the part.

Symbol	Interchangeability	Contents note
N	Old $\begin{matrix} \leftarrow \text{Yes} \\ \text{No} \rightarrow \end{matrix}$ New	New Part is interchangeable for Old Part but Old Part is not interchangeable for New Part.
Q	Old $\begin{matrix} \leftarrow \text{No} \\ \text{Yes} \rightarrow \end{matrix}$ New	New Part is not interchangeable for Old Part but Old Part is interchangeable for New Part.
R	Old $\begin{matrix} \leftarrow \text{Yes} \\ \text{Yes} \rightarrow \end{matrix}$ New	New/ Old Parts are both interchangeable.
S	Old $\begin{matrix} \leftarrow \text{No} \\ \text{No} \rightarrow \end{matrix}$ New	New/ Old Parts are both not interchangeable.
W		Part newly added.
Z		Part discontinued.
F		Not interchangeable by a single part but interchangeable together with related parts.
K		Changes only for used parts quantities.

### ④ Effective Machine No.

When a part changes, the effective Machine No. will be indicated in the (A)-(F) column.

Product Symbol	Product No.	Product Symbol	Product No.
C	Clutch No. Compressor No.	F	Machine No. (Agricultural Equip.)
D	Drive No.	M	Machine No.
E	Engine No.		

Note 1) A date may follow the symbol. (Ex.) 1996.01

Note 2) "XXXXX" and "ZZZZZ" are for parts that could not be predicted or for engine models that could not be identified.

Note 3) (A=E00185) is the E (Engine Serial Number) for the column (A) model (in this case 4JH-DT) after the parts design change.

### ⑤ Remarks Mark

Figures or alphabets (symbols) are entered in the remarks column.

The comments (remarks) on parts that are indicated at the bottom of the illustration are the same symbols as those stated above.

# CONTENTS

MODEL : L48N5EK9F9HAMA

PC NO : 0CR10-G73800

Fig.No. GROUP NAME

L48N5EK9F9HAMA

1. CYLINDER BLOCK
2. CYLINDER HEAD & BONNET
3. INTAKE MANIFOLD
4. CRANKSHAFT, PISTON & CAMSHAFT
5. LUB.OIL PUMP & GOVERNOR
6. COOLING DEVICE
7. FUEL INJECTION PUMP & FUEL INJECTION VALVE
8. STARTING MOTOR & DYNAMO
9. TOOL, LABEL & GASKET SET

Fig.No. GROUP NAME

Fig.1. CYLINDER BLOCK

(A)=L48N5EK9F9HAMA

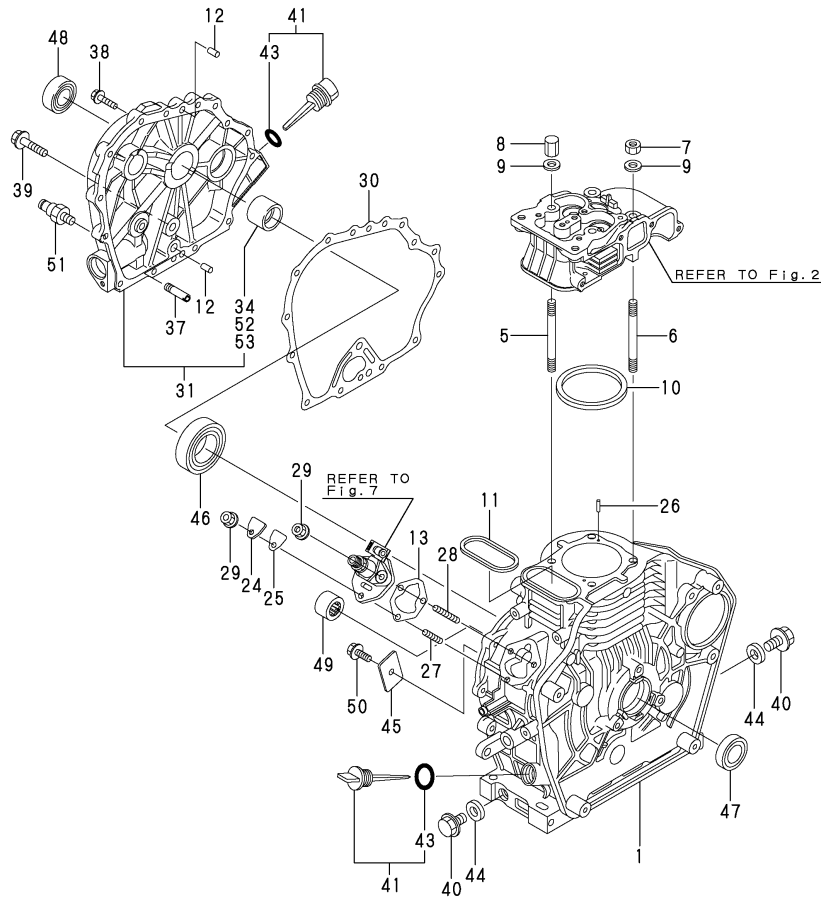
(B)=

(C)=

(D)=

(E)=

(F)=



REF.	LEV.	PARTS NO.	DESCRIPTION	QTY						I	R
				(A)	(B)	(C)	(D)	(E)	(F)		
1	1	114149-01010	BLOCK ASSY, CYLINDER	1							
5	1	114299-01200	BOLT, CYL.HEAD A	2							
6	1	114299-01210	BOLT, CYL.HEAD B	2							
7	1	114299-01220	NUT, CYLINDER HEAD A	2							
8	1	114299-01230	HEAD NUT(B)	2							
9	1	124950-01250	WASHER	4							
10	1	114295-01340	GASKET, HEAD 0.5	1							
11	1	114299-01380	O-RING	1							
12	1	114299-01600	PIN, 8X12	2							
13	1	114299-01800	SHIM SET	1							
24	1	114299-01830	COVER,(FO PUMP	1							
25	1	114250-01841	GASKET	1							
26	1	22312-040080	PIN 4X8,STRAIGHT	2							
27	1	26226-060182	STUD M 6X 18 PLATED	1							
28	1	26226-060222	STUD M 6X 22 PLATED	2							
29	1	26366-060002	NUT M 6	3							
30	1	114299-01410	GASKET, CRANK CASE	1							
31	1	114299-01450	COVER (D),CRANK CASE	1							
34	2	114250-02100	BEARING, MAIN	1							1
37	1	114299-35150	PIPE, L.O. INLET	1							
38	1	26106-060252	BOLT M 6X 25 PLATED	14							
39	1	26106-080352	BOLT M 8X 35 PLATED	1							
40	1	114299-01690	PLUG M16	2							
41	1	114299-01760	CAP, W/LUB.OIL GAUGE	2							
43	2	114299-01950	O-RING	2							
44	1	22190-160002	SEAL WASHER 16S	2							
45	1	114299-02030	RETAINER	1							
46	1	114250-02113	BALL BEARING	1							
47	1	114299-02220	SEAL, OIL	1							
48	1	160210-02220	SEAL, OIL	1							
49	1	24162-152112	NEEDLE BEARING	1							
50	1	26106-080122	BOLT M 8X 12 PLATED	1							
51	1	183250-39450	SENDER, OIL PRESSURE	1							
52	1	114250-02200	MAIN BEARING US=0.25	1							2
53	1	114250-02210	MAIN BEARING US=0.50	1							3

Remarks

- (1)REPAIR PART.
- (2)UNDER SIZED(U.S.=0.25)PART.
- (3)UNDER SIZED(U.S.=0.50)PART.

Fig.2. CYLINDER HEAD & BONNET

(A)=L48N5EK9F9HAMA

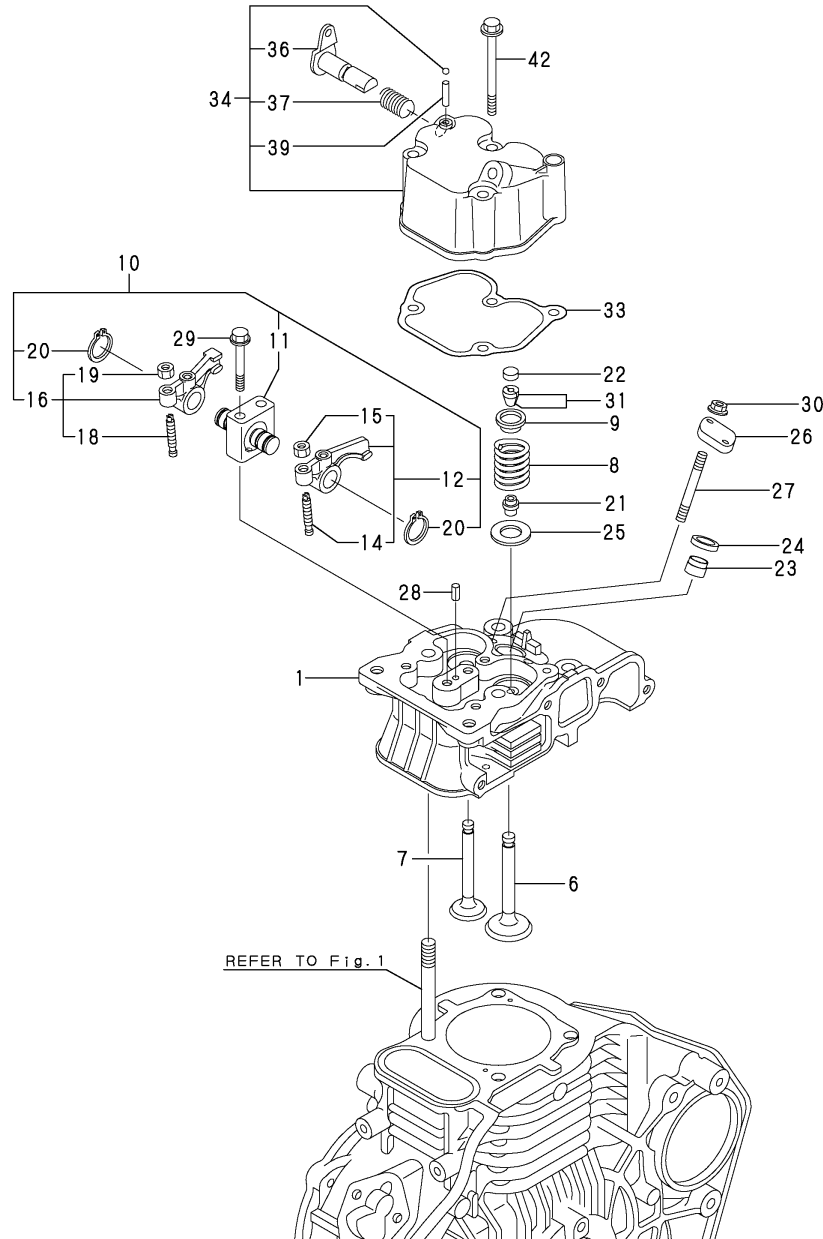
(B)=

(C)=

(D)=

(E)=

(F)=



REF.	LEV.	PARTS NO.	DESCRIPTION	QTY						I	R
				(A)	(B)	(C)	(D)	(E)	(F)		
1	1	114120-11030	HEAD ASSY, CYLINDER	1							
6	1	114295-11100	VALVE, SUCTION	1							
7	1	114295-11110	VALVE, EXHAUST	1							
8	1	114299-11120	SPRING, VALVE	2							
9	1	114250-11180	RETAINER, SPRING	2							
10	1	114771-11250	SUPPORT CAM,ARM	1							
11	2	114771-11260	SUPPORT, ROCKER ARM	1							
12	2	114771-11650	ARM ASSY, INTAKE	1							
14	3	114250-11240	SCREW, VALVE ADJUST.	1							
15	3	26856-060002	LOCK NUT 6	1							
16	2	114771-11660	ARM ASSY, EXHAUST	1							
18	3	114250-11240	SCREW, VALVE ADJUST.	1							
19	3	26856-060002	LOCK NUT 6	1							
20	2	22242-000120	CIRCLIP 12	2							
21	1	114250-11340	SEAL, VALVE STEM	2							
22	1	119260-11370	CAP, VALVE	2							
23	1	114240-11450	PROTECTOR, NOZZLE	1							
24	1	114240-11550	SEAT, NOZZLE	1							
25	1	114299-11600	WASHER, VALVE SPRING	2							
26	1	114299-11901	RETAINER, NOZZLE	1							
27	1	114110-11910	STUD BOLT, M6X65	2							
28	1	22351-040008	SPRING PIN 4X 8	1							
29	1	26106-060452	BOLT M 6X 45 PLATED	2							
30	1	26366-060002	NUT M 6	2							
31	1	27310-055001	COTTER	2							
33	1	114771-11310	GASKET, BONNET	1							
34	1	114295-11981	BONNET ASSY, HEAD	1							
36	2	183250-03601	SHAFT, DECOMPRESSION	1							
37	2	114299-03640	SPRING, DECOMP.	1							
39	2	22312-030160	PARALLEL PIN 3X16	1							
42	1	26106-060552	BOLT M 6X 55 PLATED	3							

Fig.3. INTAKE MANIFOLD

OCR10-G73800 3. INTAKE MANIFOLD

(A)=L48N5EK9F9HAMA

(B)=

(C)=

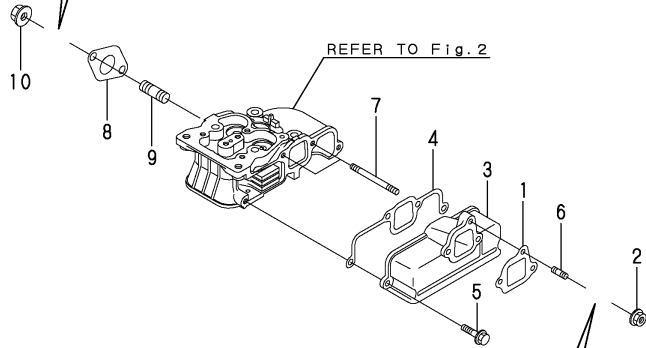
(D)=

(E)=

(F)=

REF.	LEV.	PARTS NO.	DESCRIPTION	Q'TY						I	R
				(A)	(B)	(C)	(D)	(E)	(F)		
1	1	114299-12210	GASKET, AIR CLEANER	1							
2	1	114299-12300	U-NUT	3							
3	1	114771-12010	MANIFOLD, INTAKE	1							
4	1	114771-12200	GASKET,AIR INTAKE	1							
5	1	26106-060252	BOLT M 6X 25 PLATED	2							
6	1	26226-060142	STUD M 6X 14 PLATED	1							
7	1	26226-060552	STUD M6X 55 PLATED	2							
8	1	114299-13200	GASKET, MUFFLER	1							
9	1	26216-080182	STUD M 8X 18 PLATED	2							
10	1	26366-080002	NUT M 8	2							

A MUFFLER IS CUSTOMER ARRANGEMENTS.



AN AIR CLEANER IS CUSTOMER ARRANGEMENTS.

Fig.4. CRANKSHAFT, PISTON & CAMSHAFT

OCR10-G73800 4. CRANKSHAFT, PISTON & CAMSHAFT

(A)=L48N5EK9F9HAMA

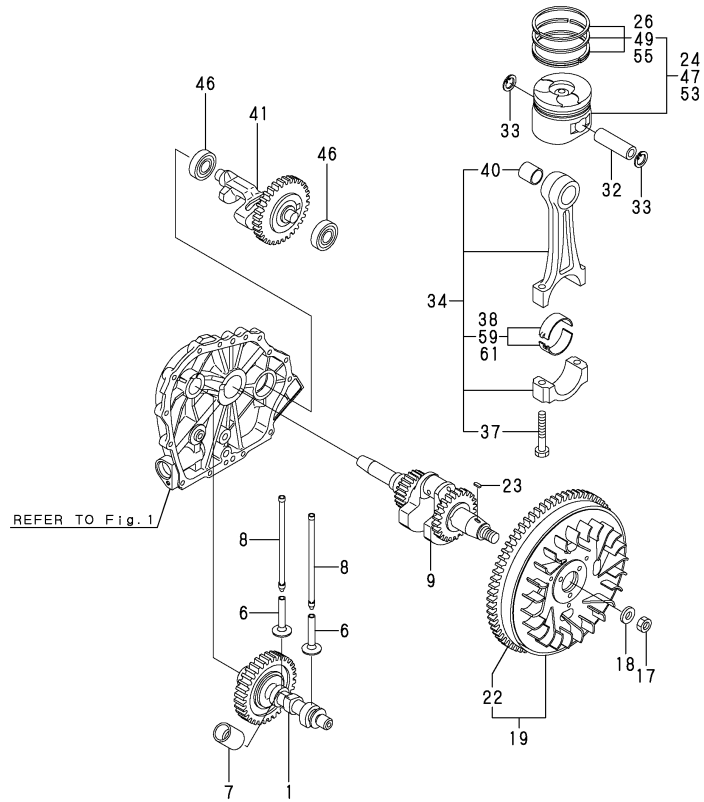
(B)=

(C)=

(D)=

(E)=

(F)=



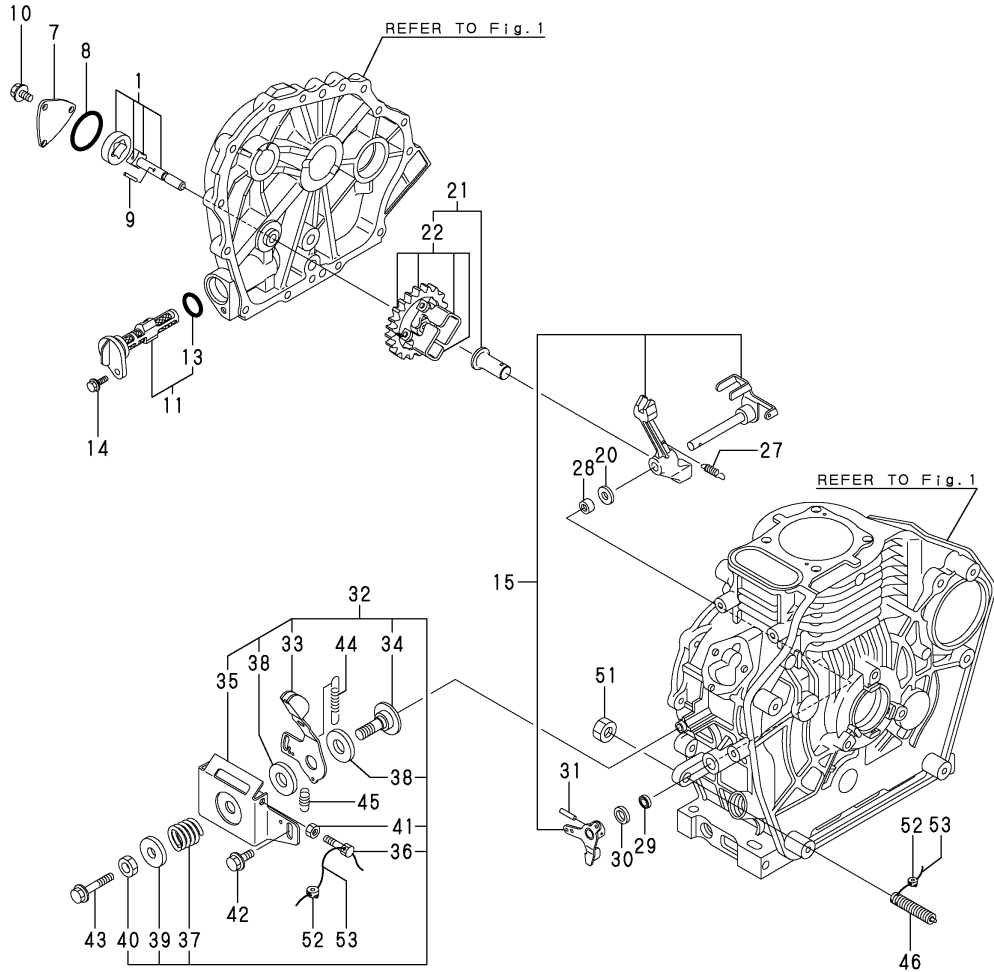
REF.	LEV.	PARTS NO.	DESCRIPTION	QTY						I	R
				(A)	(B)	(C)	(D)	(E)	(F)		
1	1	714295-14580	CAMSHAFT (D) ASSY	1							
6	1	114299-14200	TAPPET	2							
7	1	114771-14260	TAPPET,F.O.	1							
8	1	114250-14451	ROD, PUSH	2							
9	1	714777-21700	CRANKSHAFT ASY.	1							
17	1	114299-21220	NUT	1							
18	1	114299-21550	WASHER, FLYWHEEL	1							
19	1	114299-21590	FLYWHEEL, DE ASSY	1							
22	2	114299-21600	GEAR, RING D	1							
23	1	22512-040120	KEY 4X 12	1							
24	1	714120-22720	PISTON W/RINGS (D)	1							
26	2	714295-22500	RING SET, PISTON	1							
32	1	114299-22300	PIN, PISTON	1							
33	1	22252-000190	CIRCLIP 19	2							
34	1	714299-23700	ROD ASSY, CONNECTING	1							
37	2	119265-23200	BOLT, ROD	2							
38	2	714770-23600	BEARING, CRANKPIN	1							
40	2	114770-23100	BUSH, PISTON PIN	1							
41	1	714770-28531	SHAFT ASSY, BALANCER	1							
46	1	24101-062020	BALL BEARING	2							
47	1	714120-22620	PISTON W/RING OS=.25	1							1
49	2	714295-22540	RING SET O.S.=0.25	1							1
53	1	714120-22580	PISTON W/RING OS=0.5	1							2
55	2	714295-22550	RING SET O.S.=0.50	1							2
59	1	714770-23610	BEARING,PIN(U.S.=0.25	1							3
61	1	714770-23620	BEARING,PIN(U.S.=0.50	1							4

Remarks

- (1)OVER SIZED(O.S.=0.25)PART.
- (2)OVER SIZED(O.S.=0.50)PART.
- (3)UNDER SIZED(U.S.=0.25)PART.
- (4)UNDER SIZED(U.S.=0.50)PART.



Fig.5. LUB.OIL PUMP & GOVERNOR



OCR10-G73800 5. LUB.OIL PUMP & GOVERNOR

(A)=L48N5EK9F9HAMA

(B)=

(C)=

(D)=

(E)=

(F)=

REF.	LEV.	PARTS NO.	DESCRIPTION	Q'TY						I	R
				(A)	(B)	(C)	(D)	(E)	(F)		
1	1	114250-32010	PUMP ASSY, LUB.OIL	1							
7	1	114299-32070	COVER, LUB. OIL PUMP	1							
8	1	114299-32570	O-RING, COVER	1							
9	1	22312-030160	PARALLEL PIN 3X16	1							
10	1	26106-060122	BOLT M 6X 12 PLATED	3							
11	1	114299-35110	FILTER CMP, LUB.OIL	1							
13	2	24341-000224	O-RING 1A S-22.4	1							
14	1	26106-060162	BOLT M 6X 16 PLATED	1							
15	1	114295-61170	LEVER ASSY, GOVERNOR	1							
20	1	114299-61190	WASHER, GOVERNOR	1							
21	1	714299-61701	GOVERNOR ASSY	1							
22	2	114299-61210	WEIGHT ASSY,GOVERNOR	1							
27	1	114771-61350	SPRING, START	1							
28	1	114770-61520	BEARING,NEEDLE	2							
29	1	114299-61600	SEAL, OIL	1							
30	1	114770-61610	WASHER, THRUST	1							
31	1	22322-030200	TAPER PIN 3X20	1							
32	1	114210-66550	BRACKET CMP,REGULATO	1							
33	2	114210-66070	HANDLE, REGULATOR	1							
34	2	183250-66070	SHAFT, HANDLE	1							
35	2	114210-66400	BRACKET, HANDLE	1							
36	2	114250-66440	BOLT, ADJUSTING	1							
37	2	104200-66820	SPRING	1							
38	2	104200-66831	PLATE, FRICTION	2							
39	2	104200-66850	WASHER (B)	1							
40	2	26696-100002	LOCK NUT M10	1							
41	2	26757-060002	NUT M 6	1							
42	1	26106-060142	BOLT M 6X 14 PLATED	1							
43	1	26106-060452	BOLT M 6X 45 PLATED	1							
44	1	114770-66010	SPRING, REGULATOR	1							
45	1	114299-66200	SPRING, RETURN	1							
46	1	114211-66600	LIMITER ASSY, FUEL	1							
51	1	26776-100002	LOCK NUT M10 PLATED	1							
52	1	114780-61090	TIN	2							
53	1	22451-060000	WIRE 0.6	2							

Fig.6. COOLING DEVICE

OCR10-G73800 6. COOLING DEVICE

(A)=L48N5EK9F9HAMA

(B)=

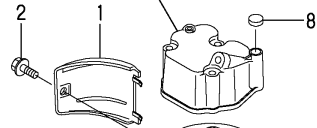
(C)=

(D)=

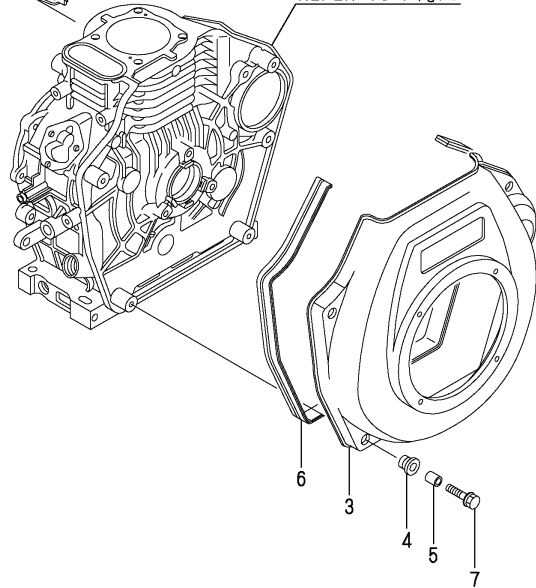
(E)=

(F)=

REFER TO Fig. 2



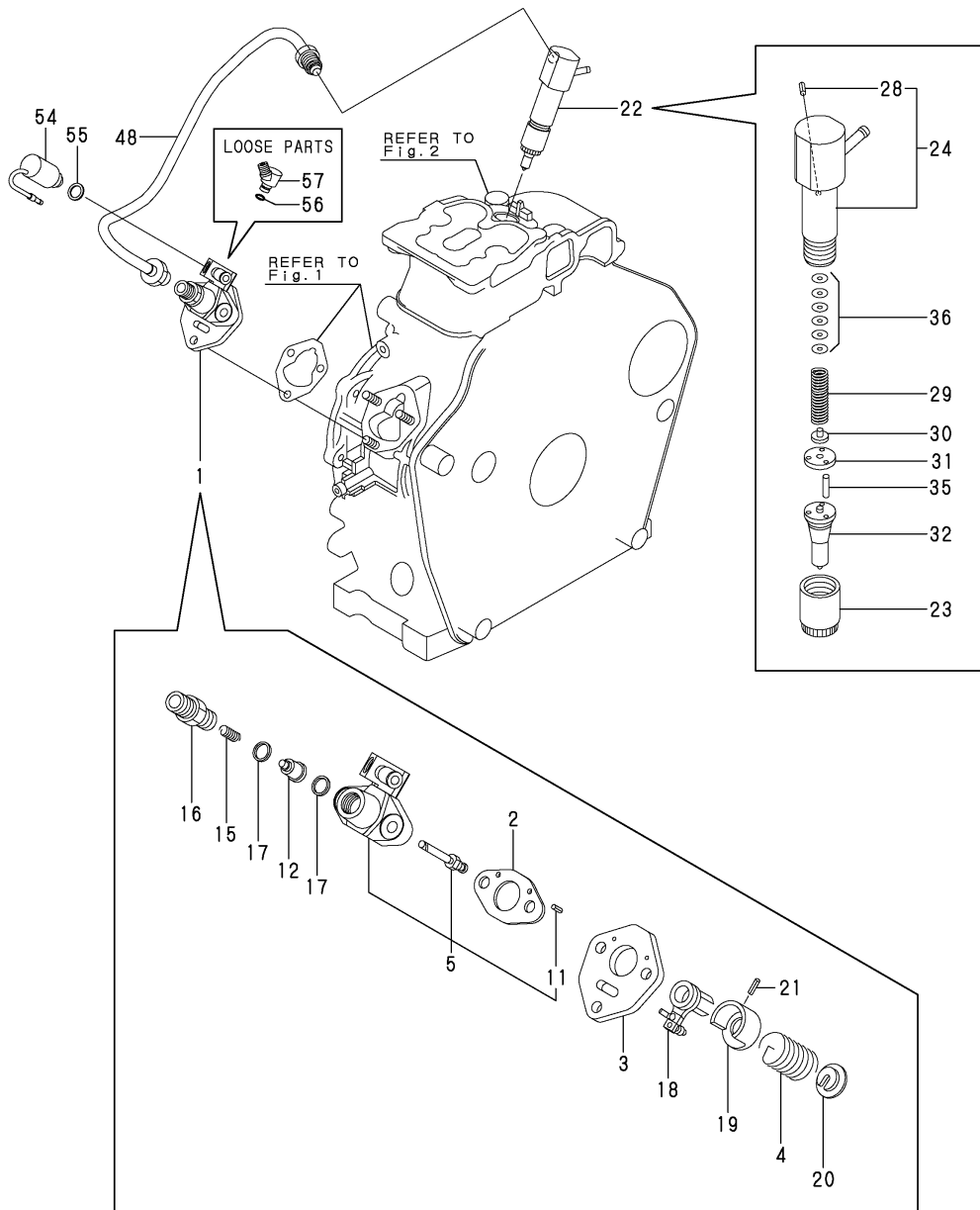
REFER TO Fig. 1



REF.	LEV.	PARTS NO.	DESCRIPTION	Q'TY						I	R
				(A)	(B)	(C)	(D)	(E)	(F)		
1	1	114299-45210	COVER, CYLINDER	1							
2	1	26106-060122	BOLT M 6X 12 PLATED	1							
3	1	114295-45100	FAN CASE(SILVER)(17)	1							
4	1	114299-45301	RUBBER, CUSHION	4							
5	1	114299-45310	COLLAR, FAN CASE	4							
6	1	114299-45330	SEAL, FAN CASE	1							
7	1	114299-45350	BOLT, FAN CASE	4							
8	1	129100-61850	PLUG 12,BORE	1							

Fig.7. FUEL INJECTION PUMP & FUEL INJECTION VALVE

A FUEL TANK IS CUSTOMER ARRANGEMENTS.



OCR10-G73800 7. FUEL INJECTION PUMP & FUEL INJECTION VALVE

(A)=L48N5EK9F9HAMA

(B)=

(C)=

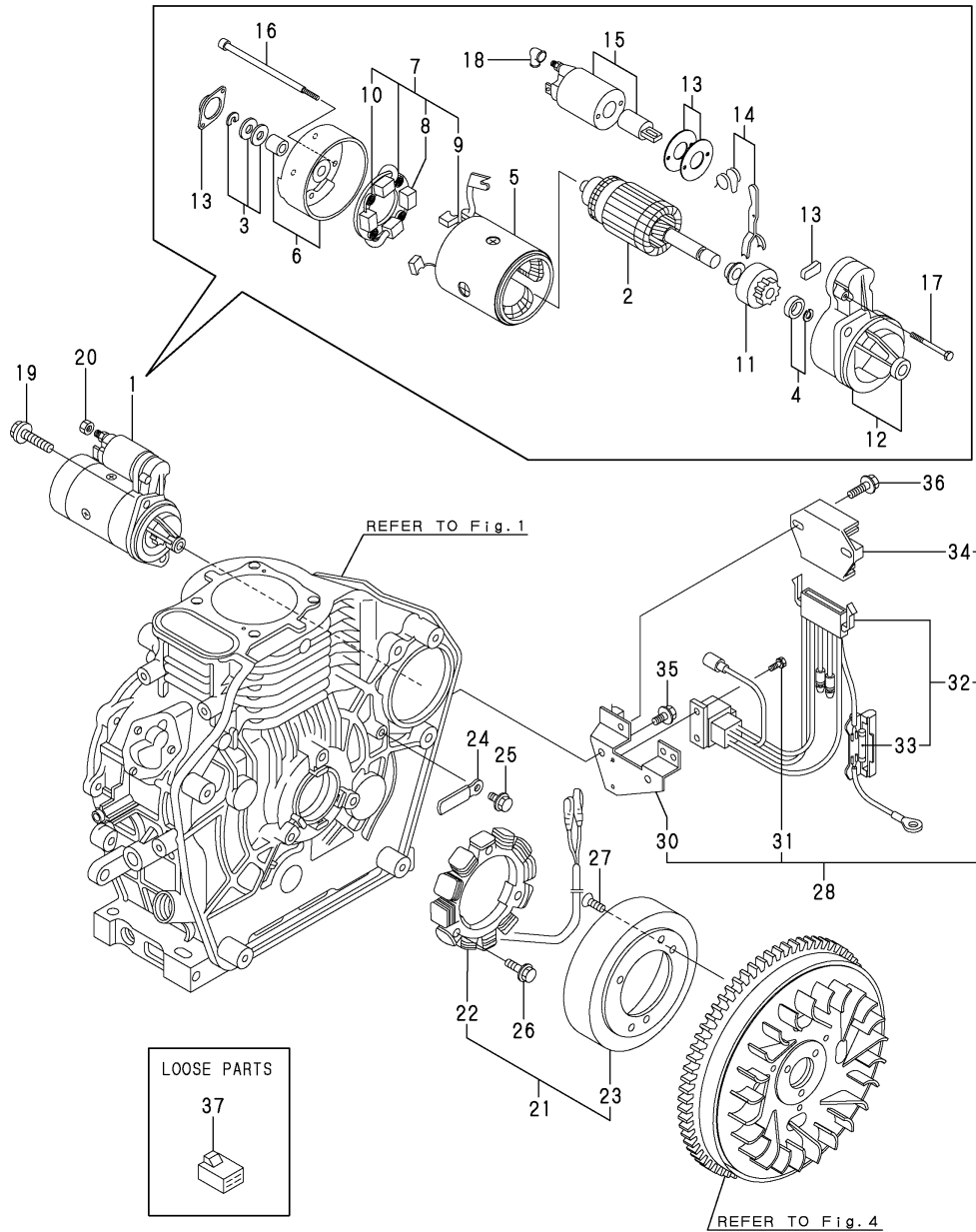
(D)=

(E)=

(F)=

REF.	LEV.	PARTS NO.	DESCRIPTION	QTY						I	R
				(A)	(B)	(C)	(D)	(E)	(F)		
1	1	714139-51310	F.I.PUMP ASSY	1							
2	2	105546-51020	GASKET	1							
3	2	114250-51080	PLATE	1							
4	2	114250-51160	SPRING	1							
5	2	114139-51200	BODY ASSY, PUMP	1							
11	4	22351-020006	SPRING PIN 2X 6	2							
12	2	114250-51300	VALVE ASSY, DELIVERY	1							
15	2	105546-51330	SPRING, DELIV. VALVE	1							
16	2	114250-51340	HOLDER, F.I.P.DELIVE	1							
17	2	124550-51350	GASKET, DELIVERY	2							
18	2	114250-51600	LEVER ASSY, CONTROL	1							
19	2	114250-51640	SEAT (A), SPRING	1							
20	2	114250-51650	SEAT (B), SPRING	1							
21	2	22351-030008	SPRING PIN 3X 8	1							
22	1	714139-53200	FUEL INJECTOR	1							
23	2	114250-53080	NUT, NOZZLE CASE	1							
24	2	114139-53100	HOLDER ASSY, NOZZLE	1							
28	3	22351-025005	SPRING PIN 2.5AX 6	1							
29	2	114250-53120	SPRING, NOZZLE	1							
30	2	114250-53130	SEAT, NOZZLE SPRING	1							
31	2	114250-53140	PLATE, STOP	1							
32	2	114139-53200	NOZZLE ASSY	1							
35	2	114250-53210	PIN	2							
36	2	114250-53400	SHIM PACK	1							
48	1	114120-59800	PIPE, FUEL INJECTION	1							
54	1	114110-76900	VALVE ASSY, F/O CUT	1							
55	1	114299-83020	GASKET, 10X1.2	1							
56	1	114250-51190	O-RING	1							
57	1	114299-59900	INLET(FUEL)	1							

Fig.8. STARTING MOTOR & DYNAMO



(A)=L48N5EK9F9HAMA

(B)=

(C)=

(D)=

(E)=

(F)=

REF.	LEV.	PARTS NO.	DESCRIPTION	QTY						I	R
				(A)	(B)	(C)	(D)	(E)	(F)		
1	1	114362-77011	STARTER(HITACHI 12V	1							
2	2	114381-77110	ARMATURE	1							
3	2	X2114811000	WASHER KIT, THRUST	1							
4	2	X2114715500	STOPPER SET, PINION	1							
5	2	114381-77130	COIL ASSY, FIELD	1							
6	2	114381-77140	COVER, REAR	1							
7	2	114371-77160	HOLDER ASSY, BRUSH	1							
8	3	114371-79040	BRUSH (-)	2							
9	3	114371-79050	BRUSH (+)	1							
10	3	114371-79060	SPRING, BRUSH	4							
11	2	X211485016	PINION ASSY	1							
12	2	114381-77151	HOUSING ASSY, GEAR	1							
13	2	114371-77170	COVER KIT, DUST	1							
14	2	114371-77180	SHIFT LEVER KIT	1							
15	2	124298-77020	SWITCH, MAGNET	1							
16	2	124195-77770	THROUGH BOLT	2							
17	2	114371-79070	BOLT M 6X 37	2							
18	2	X2114274200	COVER, TERMINAL	1							
19	1	26106-100302	BOLT M10X 30 PLATED	2							
20	1	26716-080002	NUT M 8	1							
21	1	114399-78260	DYNAMO ASSY	1							
22	2	114399-78730	STATOR ASSY	1							
23	2	114399-78740	WHEEL, DYNAMO	1							
24	1	160710-78710	CLAMP, CORD	1							
25	1	26106-060122	BOLT M 6X 12 PLATED	1							
26	1	26106-060202	BOLT M 6X 20 PLATED	3							
27	1	26577-060142	SCREW M 6X 14	3							
28	1	114399-77550	REG. & HARNESS ASSY	1							
30	3	114399-77400	BRACKET, HARNESS	1							
31	3	26023-040102	SCREW M 4X 10	2							
32	3	114399-77540	HARNESS, WIRE	1							
33	4	114399-78000	FUSE(20A	2							
34	2	114399-77710	REGULATOR	1							
35	1	26106-060122	BOLT M 6X 12 PLATED	2							
36	1	26106-060202	BOLT M 6X 20 PLATED	2							
37	1	114351-77520	JOINT	1							

Fig.9. TOOL, LABEL & GASKET SET

(A)=L48N5EK9F9HAMA

(B)=

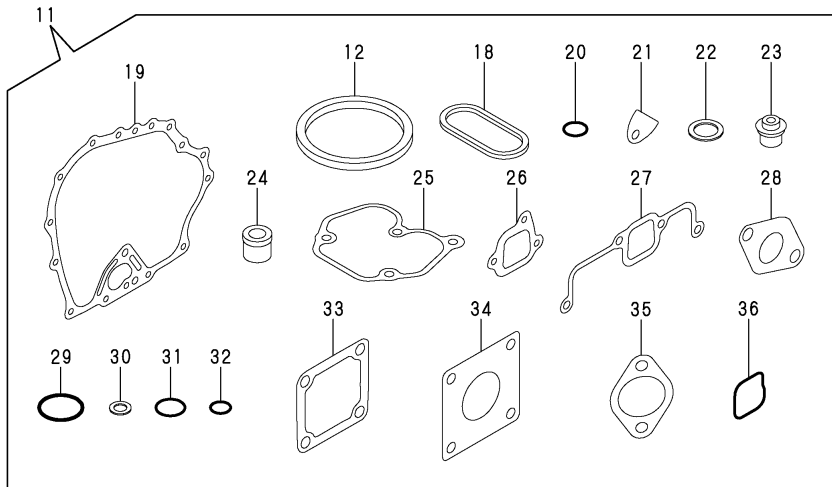
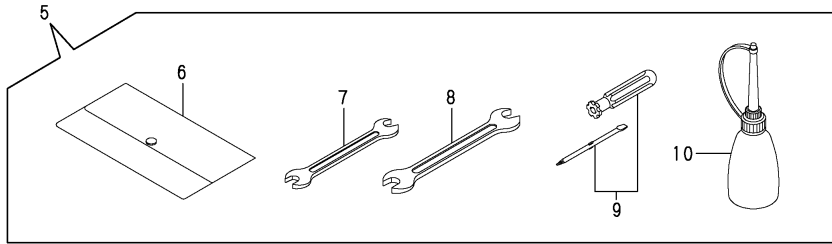
(C)=

(D)=

(E)=

(F)=

REF.	LEV.	PARTS NO.	DESCRIPTION	QTY						I	R	
				(A)	(B)	(C)	(D)	(E)	(F)			
1	1	114299-07110	LABEL, YANMAR	1								
2	1	183250-07230	LABEL, OPERATION	1								
5	1	114299-92590	TOOL ASSY	1								
6	2	114299-92600	TOOL BAG	1								
7	2	114299-92710	SPANNA	1								
8	2	114299-92720	SPANNA	1								
9	2	114299-92730	DRIVER	1								
10	2	114299-92740	FITTING, FUEL	1								
11	1	114120-92600	GASKET SET(NON-ASB.)	1								1
12	2	114295-01330	GASKET ASSY, CYL.HEA	1								
18	2	114299-01380	O-RING	1								
19	2	114299-01410	GASKET, CRANK CASE	1								
20	2	114299-01950	O-RING	2								
21	2	114250-01841	GASKET	1								
22	2	22190-160002	SEAL WASHER 16S	2								
23	2	114250-11340	SEAL, VALVE STEM	2								
24	2	114771-11461	GASKET, NOZZLE	1								
25	2	114771-11310	GASKET, BONNET	1								
26	2	114299-12210	GASKET, AIR CLEANER	2								
27	2	114771-12200	GASKET,AIR INTAKE	1								
28	2	114299-13200	GASKET, MUFFLER	1								
29	2	114299-32570	O-RING, COVER	1								
30	2	23414-080000	GASKET 8, ROUND	1								
31	2	24341-000224	O-RING 1A S-22.4	1								
32	2	24341-000150	O-RING 1A S-15.0	1								
33	2	129100-77510	GASKET, AIR HEATER	3								
34	2	114299-21980	GASKET, OIL SEAL	1								
35	2	114299-12920	GASKET, AIR CLEANER	1								
36	2	114288-12210	O-RING	1								



Remarks  
(1)OPTIONAL

## Part Number Index

All parts are stipulated in the order of part numbers.

(Depending on the area in which the part is used.)

This index will display the location of the part according to each part number.

## PARTS No. INDEX

PARTS No.	Fig.	Ref.No.
104200-66820	5	37
104200-66831	5	38
104200-66850	5	39
105546-51020	7	2
105546-51330	7	15
114110-11910	2	27
114110-76900	7	54
114120-11030	2	1
114120-59800	7	48
114120-92600	9	11
114139-51200	7	5
114139-53100	7	24
114139-53200	7	32
114149-01010	1	1
114210-66070	5	33
114210-66400	5	35
114210-66550	5	32
114211-66600	5	46
114240-11450	2	23
114240-11550	2	24
114250-01841	1	25
	9	21
114250-02100	1	34
114250-02113	1	46
114250-02200	1	52
114250-02210	1	53
114250-11180	2	9
114250-11240	2	14
		18
114250-11340	2	21
	9	23
114250-14451	4	8
114250-32010	5	1
114250-51080	7	3
114250-51160	7	4
114250-51190	7	56
114250-51300	7	12
114250-51340	7	16
114250-51600	7	18
114250-51640	7	19
114250-51650	7	20
114250-53080	7	23
114250-53120	7	29
114250-53130	7	30
114250-53140	7	31
114250-53210	7	35
114250-53400	7	36
114250-66440	5	36
114288-12210	9	36
114295-01330	9	12

PARTS No.	Fig.	Ref.No.
114295-01340	1	10
114295-11100	2	6
114295-11110	2	7
114295-11981	2	34
114295-45100	6	3
114295-61170	5	15
114299-01200	1	5
114299-01210	1	6
114299-01220	1	7
114299-01230	1	8
114299-01380	1	11
	9	18
114299-01410	1	30
	9	19
114299-01450	1	31
114299-01600	1	12
114299-01690	1	40
114299-01760	1	41
114299-01800	1	13
114299-01830	1	24
114299-01950	1	43
	9	20
114299-02030	1	45
114299-02220	1	47
114299-03640	2	37
114299-07110	9	1
114299-11120	2	8
114299-11600	2	25
114299-11901	2	26
114299-12210	3	1
	9	26
114299-12300	3	2
114299-12920	9	35
114299-13200	3	8
	9	28
114299-14200	4	6
114299-21220	4	17
114299-21550	4	18
114299-21590	4	19
114299-21600	4	22
114299-21980	9	34
114299-22300	4	32
114299-32070	5	7
114299-32570	5	8
	9	29
114299-35110	5	11
114299-35150	1	37
114299-45210	6	1
114299-45301	6	4
114299-45310	6	5

PARTS No.	Fig.	Ref.No.
114299-45330	6	6
114299-45350	6	7
114299-59900	7	57
114299-61190	5	20
114299-61210	5	22
114299-61600	5	29
114299-66200	5	45
114299-83020	7	55
114299-92590	9	5
114299-92600	9	6
114299-92710	9	7
114299-92720	9	8
114299-92730	9	9
114299-92740	9	10
114351-77520	8	37
114362-77011	8	1
114371-77160	8	7
114371-77170	8	13
114371-77180	8	14
114371-79040	8	8
114371-79050	8	9
114371-79060	8	10
114371-79070	8	17
114381-77110	8	2
114381-77130	8	5
114381-77140	8	6
114381-77151	8	12
114399-77400	8	30
114399-77540	8	32
114399-77550	8	28
114399-77710	8	34
114399-78000	8	33
114399-78260	8	21
114399-78730	8	22
114399-78740	8	23
114770-23100	4	40
114770-61520	5	28
114770-61610	5	30
114770-66010	5	44
114771-11250	2	10
114771-11260	2	11
114771-11310	2	33
	9	25
114771-11461	9	24
114771-11650	2	12
114771-11660	2	16
114771-12010	3	3
114771-12200	3	4
	9	27
114771-14260	4	7

PARTS No.	Fig.	Ref.No.
114771-61350	5	27
114780-61090	5	52
119260-11370	2	22
119265-23200	4	37
124195-77770	8	16
124298-77020	8	15
124550-51350	7	17
124950-01250	1	9
129100-61850	6	8
129100-77510	9	33
160210-02220	1	48
160710-78710	8	24
183250-03601	2	36
183250-07230	9	2
183250-39450	1	51
183250-66070	5	34
714120-22580	4	53
714120-22620	4	47
714120-22720	4	24
714139-51310	7	1
714139-53200	7	22
714295-14580	4	1
714295-22500	4	26
714295-22540	4	49
714295-22550	4	55
714299-23700	4	34
714299-61701	5	21
714770-23600	4	38
714770-23610	4	59
714770-23620	4	61
714770-28531	4	41
714777-21700	4	9
X2114274200	8	18
X2114715500	8	4
X2114811000	8	3
X211485016	8	11



***YANMAR CO.,LTD.***