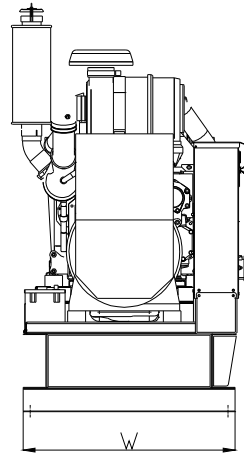
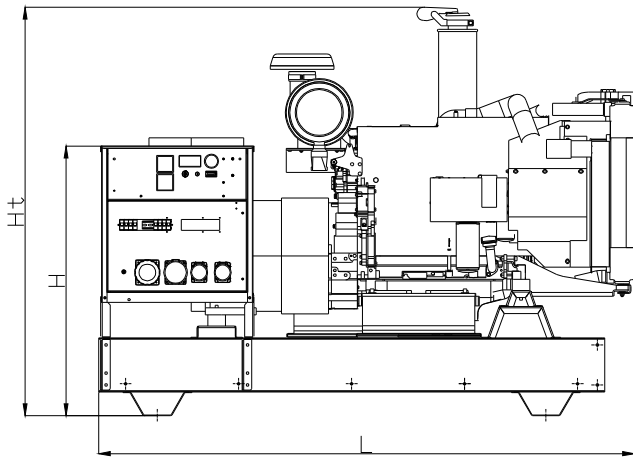




		MPL 15	MPL 20
a.c. output	400 V	stand-by <sup>(1)</sup> 16 kVA	22 kVA
50 Hz. 3 ph		prime <sup>(2)</sup> 15 kVA	20 kVA
power factor		0,8	
fuel starting		Diesel Electric	
alternator		Synchronous	
engine type		Yanmar	
intake		3TNV88 natural	4TNV88 natural
cooling		water	
displacement	c.c.	1642	2190
cylinders		3	4
prime power	HP	18,4	24,5
RPM		1500	
tank capacity	lt.	73	
3/4 load operating hours	h	30	22

<sup>(1)</sup> **Stand-by power:**  
power available for emergency

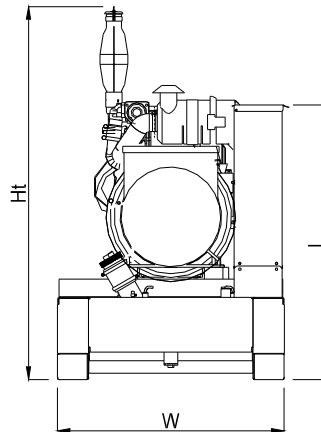
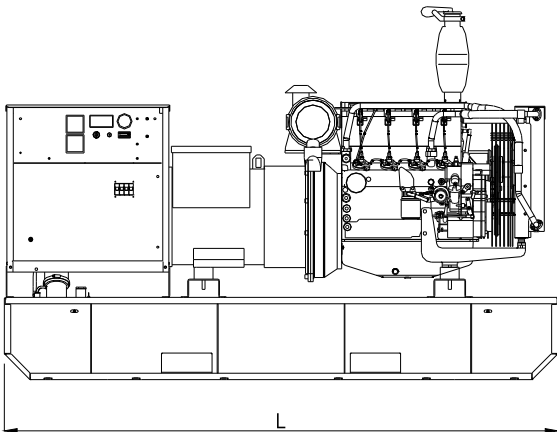
<sup>(2)</sup> **Prime power:** maximum power  
available at variable loads for an  
unlimited numbers of hours



**Standard version**

DIMENSIONS	L	1545 - 61	mm - in.
	W	777 - 30	mm - in.
	H	1145 - 45	mm - in.
	Ht	1380 - 54	mm - in.
WEIGHT		490 - 1080 / 580 - 1280	kg - lbs

**Version with  
200 lt.  
Fuel tank**



**MG 16 - 22A**

DIMENSIONS	L	1950 - 773	mm - in.
	W	900 - 35	mm - in.
	H	1114 - 43	mm - in.
	Ht	1346 - 53	mm - in.
WEIGHT		690 - 1521 / 780 - 1720	kg - lbs
¾ LOAD OPER. HOURS		82 - 60	h

Dealer:

---

# Yanmar open series

---



## CONTROL PANEL

- Start/stop key
- Operation and Alarms
- Ammeter
- Voltmeter
- Hourmeter
- Fuel level gauge



## POWER CUBICLE

- Circuit breaker
- Power cables - terminal board
- Connection for remote starting panel

---

## OPTIONAL: Sockets panel



- Circuit breaker / differential protection for sockets
- No. 1 EEC socket 63 Amps. 400 V
- No. 1 EEC socket 32 Amps. 400 V
- No. 2 EEC socket 16 Amps. 230 V

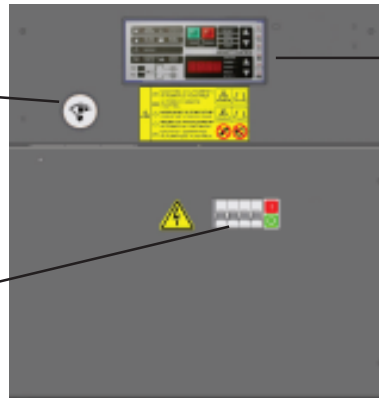
## OPTIONAL : Earth fault device



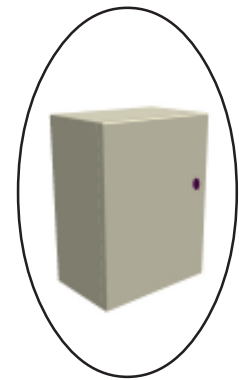
**OPTIONAL: Automatic starting**

- Fuel level gauge

- Circuit breaker

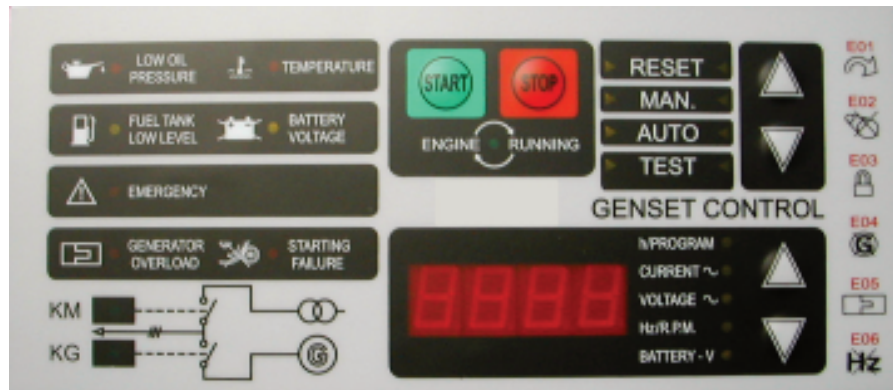


Automatic Transfer Switch in a separate box



**Digital Genset Control**

- Automatic test
- n° 20 alarms
- n° 9 genset parameters
- n° 30 programming keys
- n° 4 operating mode



**OPTIONAL :**

Remote control panel with 50 mt. cable

Water heater

Automatic top-up device for on-board tank with retention bund

Dealer:

