

# MPL "A" series

# MPL 65A Max. power 65 kVA

# MPL 76A Max. power 76 kVA



		MPL 65A	MPL 76A
a.c. output	400 V	stand-by <sup>(1)</sup>	65 kVA
50 Hz. 3 ph		prime <sup>(2)</sup>	59 kVA
power factor			0,8
fuel starting		Diesel Electric	
alternator		Synchronous	
engine type		Deutz	
intake		BF4M 2011 C	BF4M 2012 C
cooling		Turbo	Turbo /intercooler
displacement	c.c.	Oil	Water
cylinders		3109	4038
prime power	HP	4	4
RPM		77	95,2
		1500	
tank capacity	lt.	73	
¾ load operating hours	h	6	5

<sup>(1)</sup> **Stand-by power:**  
power available for emergency

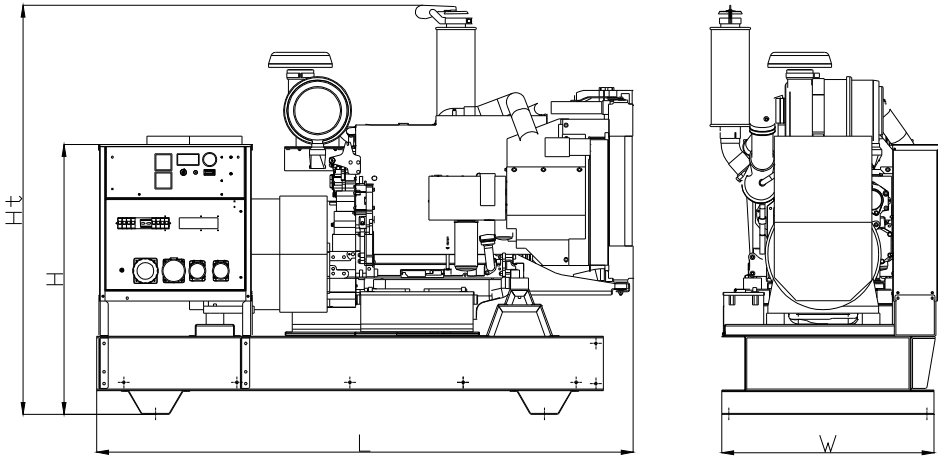
<sup>(2)</sup> **Prime power:** maximum power  
available at variable loads for an  
unlimited numbers of hours

# MPL 65 A - 76 A

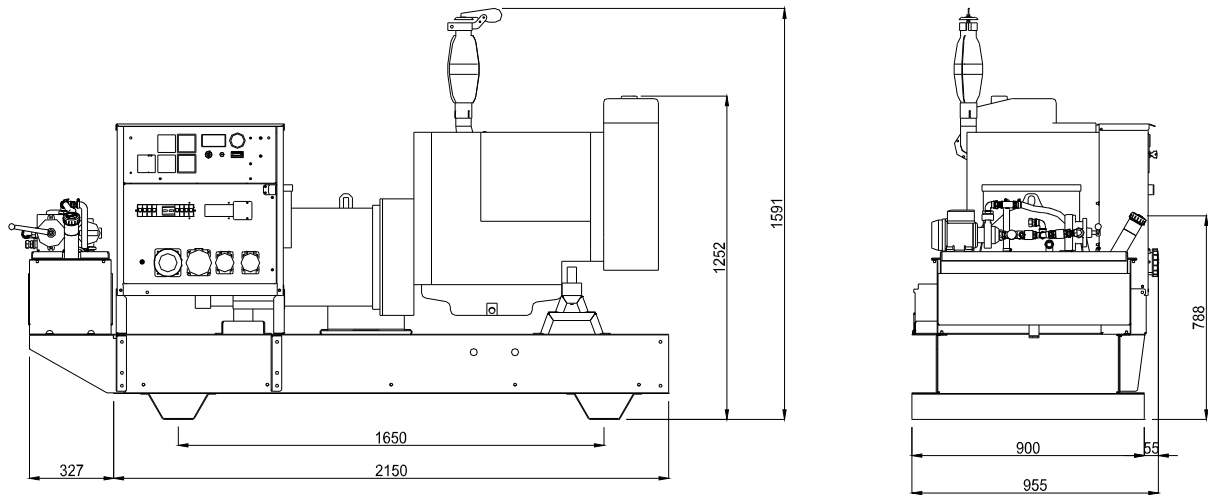
## Base version

MPL 65 - 76A

DIMENSIONS	L	2060 - 81	mm - in.
	W	900 - 35	mm - in.
	H	1300 - 51	mm - in.
	Ht	1712 - 67	mm - in.
WEIGHT		850 - 1870 / 980 - 2160	kg - lbs



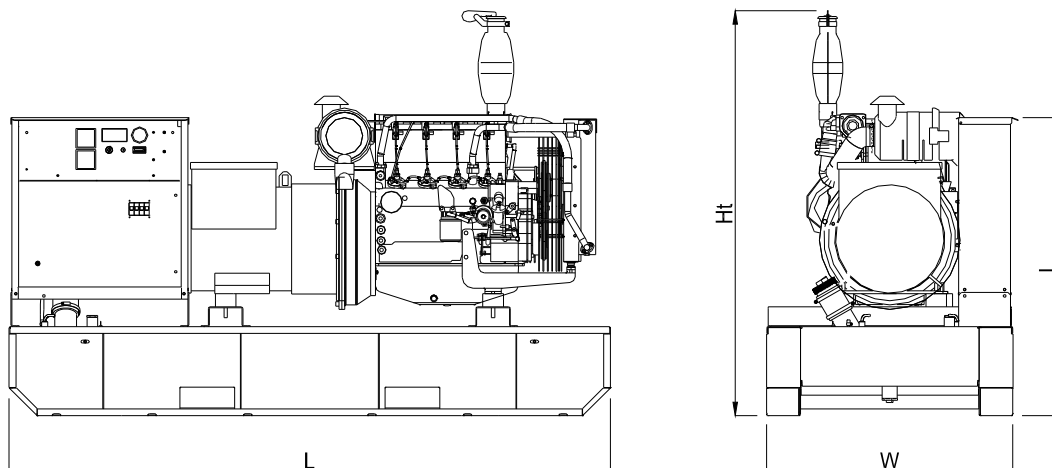
## Base version + automatic top-up device as MISA rules



## Version with 400 lt. Fuel tank

MPL 65 - 76A

DIMENSIONS	L	2480 - 98	mm - in.
	W	900 - 35	mm - in.
	H	1114 - 43	mm - in.
	Ht	1555 - 61	mm - in.
WEIGHT		1410 - 3110 / 1460 - 3220	kg - lbs
¾ LOAD OPER. HOURS		34 / 27	h



## CONTROL PANELS

### CONTROL PANEL

- Start/stop key
- Operation and Alarms
- Ammeter
- Voltmeter
- Hourmeter
- Fuel level gauge



### POWER CUBICLE

- Circuit breaker
- Power cables - terminal board
- Connection for remote starting panel

### OPTIONAL: Sockets panel



### OPTIONAL : Earth fault device

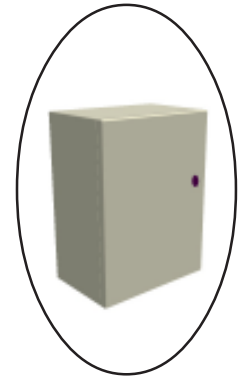
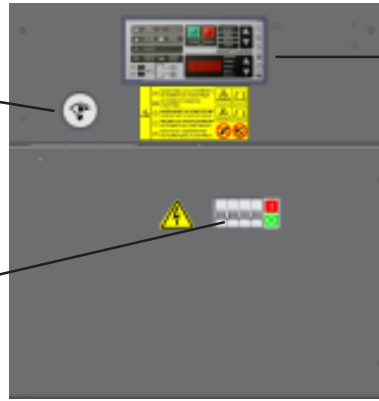


- Circuit breaker / differential protection for sockets
- No. 1 EEC socket 63 Amps. 400 V
- No. 1 EEC socket 32 Amps. 400 V
- No. 2 EEC socket 16 Amps. 230 V

**OPTIONAL: Automatic starting**

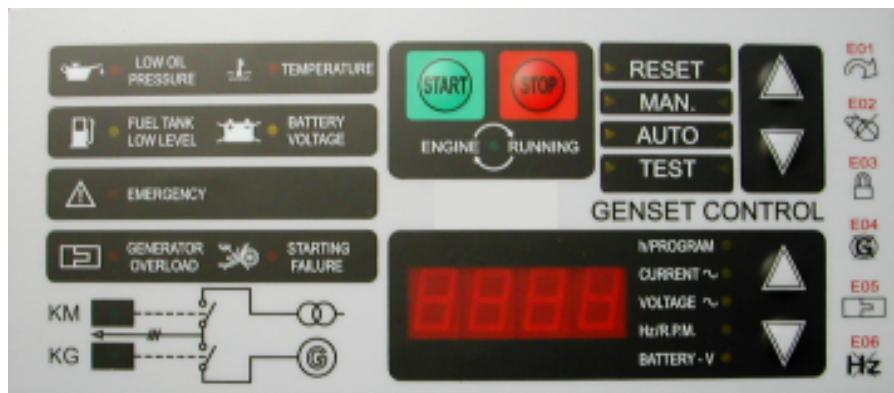
**Automatic Transfer Switch in a separate box**

- Fuel level gauge
- Circuit breaker



**Digital Genset Control**

- Automatic test
- n° 20 alarms
- n° 9 genset parameters
- n° 30 programming keys
- n° 4 operating mode



**OPTIONAL :**

**Remote control panel with 50 mt. cable**

**Water heater**

**Automatic top-up device for on-board tank with retention bund**

Dealer:



MASE GENERATORS S.p.A. Via Tortona, 345  
47522 Cesena (FC) Italy  
Tel.+39-0547-354311 Fax.+39-0547-317555  
Email : mase@masegenerators.com  
www.masegenerators.com