

Fig.7.CAMSHAFT & DRIVING GEAR

Y00W1440 7.CAMSHAFT & DRIVING GEAR

(A)=4TNV88-GMG

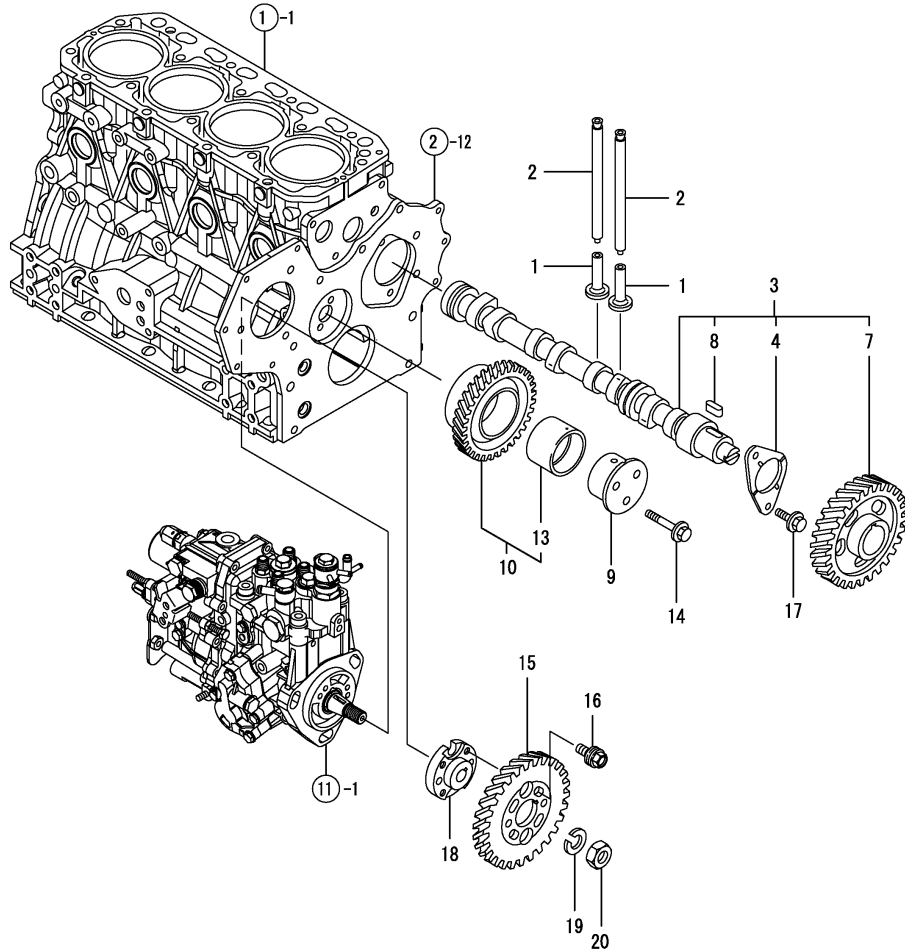
(B)=

(C)=

(D)=

(E)=

(F)=



REF.	LEV.	PARTS NO.	DESCRIPTION	QTY						I	R
				(A)	(B)	(C)	(D)	(E)	(F)		
1	1	129150-14200	TAPPET	8							
2	1	129150-14400	ROD, PUSH	8							
3	1	729601-14580	CAMSHAFT ASSY	1							
4	2	129150-02450	METAL,THRUST(CAM	1							
7	2	129150-14101	GEAR, CAMSHAFT	1							
8	2	22512-070140	KEY 7X 14	1							
9	1	119802-25051	SHAFT, IDLE GEAR	1							
10	1	119802-25101	GEAR ASSY, IDLE	1							
13	2	119802-25071	BUSH, IDLE GEAR	1							1
14	1	26106-080402	BOLT M 8X 40 PLATED	3							
15	1	119802-25901	GEAR, PUMP	1							
16	1	129150-25301	BOLT,FI-P	4							
17	1	26106-080142	BOLT 8X 14 PLATED	2							
18	1	158552-51151	FLANGE	1							
19	1	22217-140000	SPRING WASHER 14	1							
20	1	26776-140002	LOCK NUT M14 PLATED	1							

Remarks
(1) REPAIR PART.

Fig.10.COOLING WATER SYSTEM

(A)=4TNV88-GMG

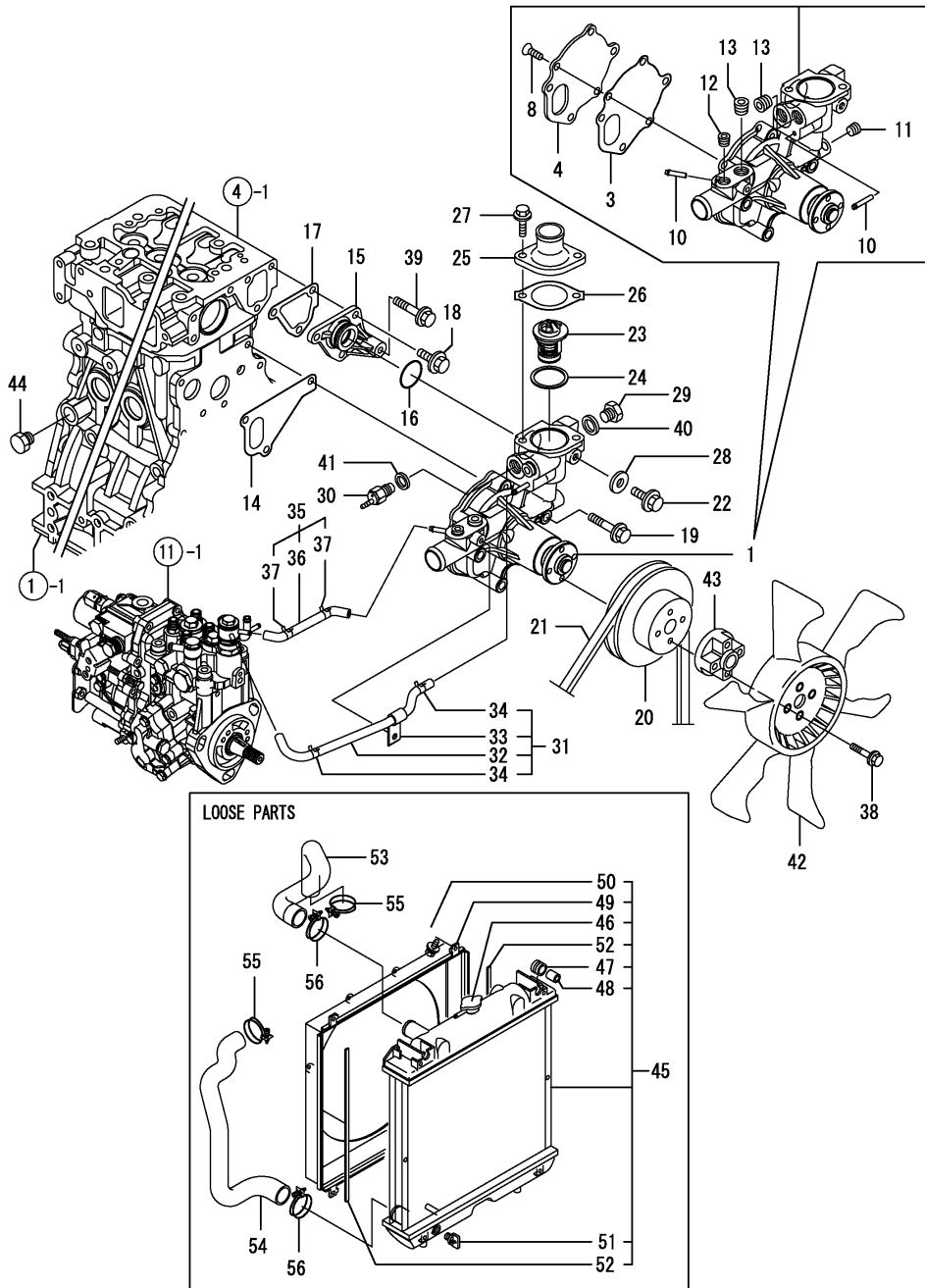
(B)=

(C)=

(D)=

(E)=

(F)=



REF.	LEV.	PARTS NO.	DESCRIPTION	QTY						I	R
				(A)	(B)	(C)	(D)	(E)	(F)		
1	1	129004-42001	PUMP ASSY, WATER	1							
3	2	129100-42051	GASKET, (NON-ASB.)	1							
4	2	129100-42121	PLATE	1							
8	2	121850-42410	SCREW	3							
10	2	119802-49113	JOINT	2							
11	2	23876-010000	PLUG PT1/8,SCREW	1							
12	2	23876-020000	PLUG PT1/4,SCREW	1							
13	2	129916-49740	PLUG, DRAIN R03	2							
14	1	129486-42021	GASKET	1							
15	1	129004-42040	JOINT	1							
16	1	129486-42140	O-RING,CW-P	1							
17	1	124395-49840	GASKET, THERMO. CASE	1							
18	1	26106-080162	BOLT M 8X 16 PLATED	3							
19	1	26106-080602	BOLT M 8X 60 PLATED	3							
20	1	129155-42350	V-PULLEY, C.W. PUMP	1							
21	1	119831-42290	V-BELT A37.5	1							
22	1	26106-080122	BOLT M 8X 12 PLATED	1							
23	1	129155-49801	THERMOSTAT (71)	1							
24	1	129150-49811	GASKET, (NON-ASB.)	1							
25	1	129350-49530	COVER, THERMOSTAT	1							
26	1	129795-49551	GASKET, (NON-ASB.)	1							
27	1	26106-080222	BOLT M 8X 22 PLATED	2							
28	1	23414-080000	GASKET 8, ROUND	1							
29	1	121450-42450	PLUG M16	1							
30	1	121250-44901	SWITCH, THERMO(110C	1							
31	1	129004-49610	PIPE ASSY, A MP2	1							
32	2	129004-49711	PIPE ASSY, A MP2	1							
33	2	119802-49730	CLAMP,CW-T	1							
34	2	124722-59050	CLAMP 9	2							
35	1	129004-49620	PIPE ASSY, B MP2	1							
36	2	129004-49721	PIPE, WATER B MP2	1							
37	2	124722-59050	CLAMP 9	2							
38	1	26106-060302	BOLT M 6X 30 PLATED	4							
39	1	26106-080452	BOLT M 8X 45 PLATED	1							
40	1	124465-44950	GASKET 16	1							
41	1	124465-44950	GASKET 16	1							
42	1	129612-44700	FAN, COOLING	1							
43	1	121267-44760	SPACER	1							
44	1	171056-49120	PLUG, DRAIN	1							
45	1	129601-44500	RADIATOR ASSY	1							
46	2	129107-44590	CAP, RADIATOR	1							
47	2	129467-44580	MOUNT RUBBER	2							
48	2	129467-44590	COLLAR	2							
49	2	129601-44600	SHROUD	1							
50	2	26014-060122	BOLT M 6X 12	4							
51	2	129508-44550	COCK ASSY	1							
52	2	129601-44610	GASKET	2							
53	1	129602-49010	PIPE, COOLING WATER	1							
54	1	129612-49040	PIPE, COOLING WATER	1							
55	1	23010-038000	CLAMP 38	2							
56	1	23010-044000	CLAMP 44	2							

Fig.8.CRANKSHAFT & PISTON

Y00W1440 8.CRANKSHAFT & PISTON

(A)=4TNV88-GMG

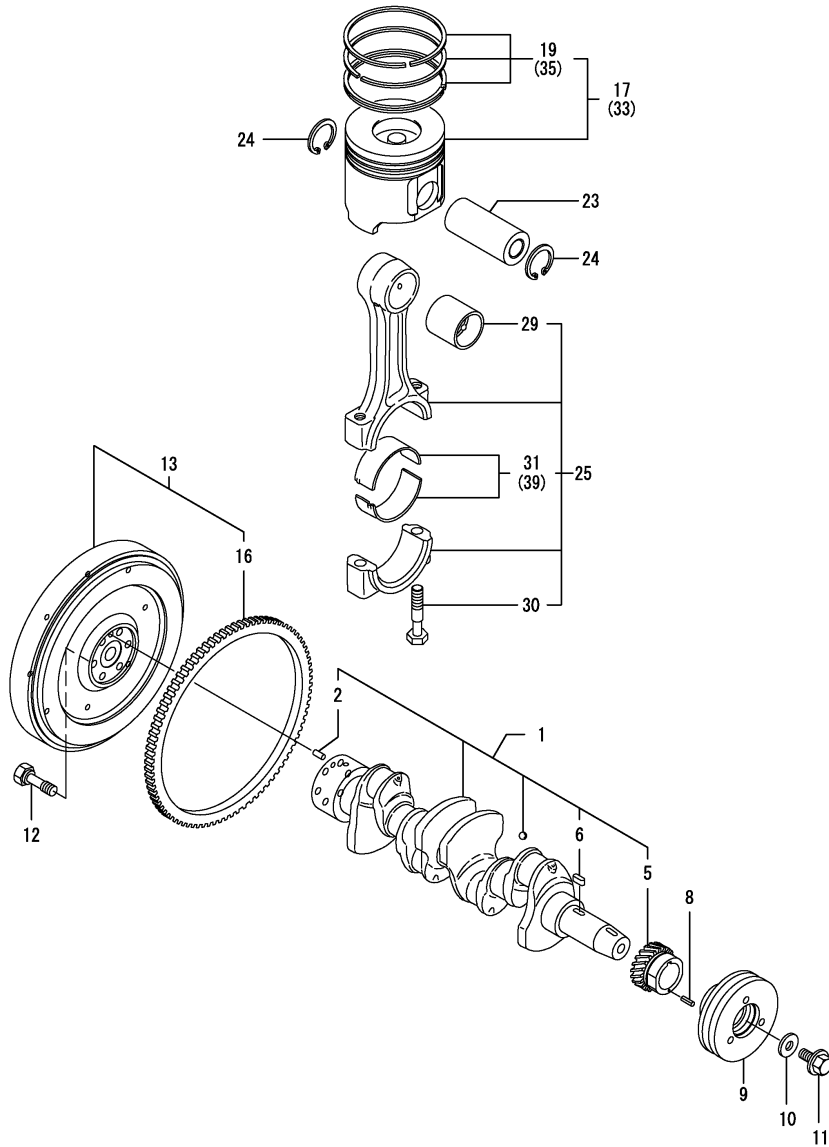
(B)=

(C)=

(D)=

(E)=

(F)=



REF.	LEV.	PARTS NO.	DESCRIPTION	QTY						I	R
				(A)	(B)	(C)	(D)	(E)	(F)		
1	1	129601-21002	CRANKSHAFT ASSY	1							
2	2	129100-01580	PARALLEL PIN 8X16	1							
5	2	119802-21202	GEAR, CRANKSHAFT	1							
6	2	22512-070140	KEY 7X 14	1							
8	1	22351-030010	SPRING PIN 3X10	1							
9	1	119802-21660	V-PULLEY, CRANKSHAFT	1							
10	1	129795-21661	WASHER	1							
11	1	121850-21680	BOLT, V-PULLEY	1							
12	1	121111-21501	BOLT, FLYWHEEL	6							
13	1	171420-21590	FLYWHEEL ASSY	1							
16	2	124550-21600	RING GEAR	1							
17	1	129005-22080	PISTON ASSY	4							
19	2	129005-22500	RING SET, PISTON	4							
23	1	129202-22300	PIN, PISTON(D26,L70)	4							
24	1	22252-000260	CIRCLIP 26	8							
25	1	729402-23100	ROD ASSY, CONNECTING	4							1
29	2	129100-23910	BUSH, PISTON PIN	4							
30	2	121550-23200	BOLT, CONNECTING ROD	8							
31	2	129150-23601	METAL, CRANKPIN	4							
33	1	129005-22900	PISTON W/RING OS=.25	4							2
35	2	129005-22950	RING SET O.S=0.25	4							2
39	1	129150-23611	METAL.PIN US=0.25	4							3

Remarks

- (1) REPAIR PART.
- (2) OVER-SIZE(O.S=0.25)PART.
- (3) UNDER-SIZE(U.S=0.25)PART.

Fig.1.CYLINDER BLOCK

(A)=4TNV88-GMG

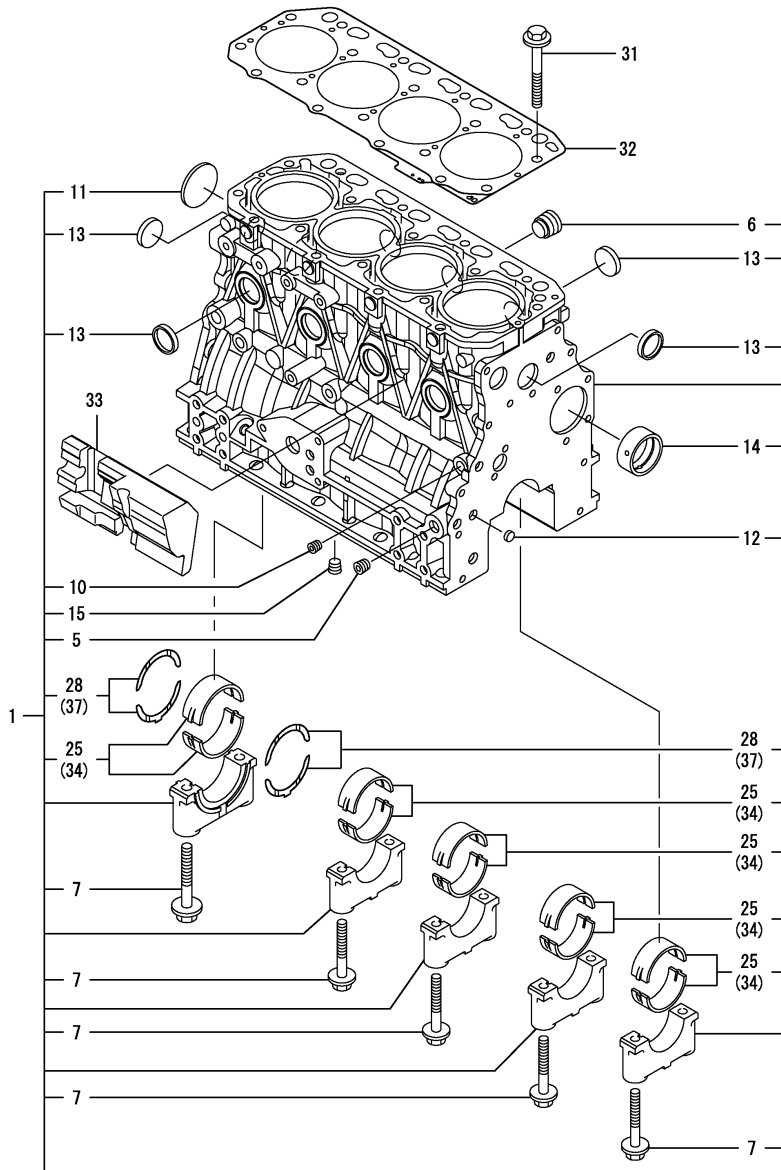
(B)=

(C)=

(D)=

(E)=

(F)=



REF.	LEV.	PARTS NO.	DESCRIPTION	QTY						I	R
				(A)	(B)	(C)	(D)	(E)	(F)		
1	1	729602-01560	BLOCK ASSY, CYLINDER	1							
5	2	124160-01910	PLUG PT1/4	2							
6	2	171051-01921	PLUG	1							
7	2	129150-02020	BOLT, METAL CAP	10							
10	2	124060-01050	PLUG PT1/8	1							
11	2	129001-01250	PLUG 50	1							
12	2	27241-120000	PLUG 12	2							
13	2	27241-300000	PLUG 30	8							
14	2	129795-02412	BUSH, CAMSHAFT	1							
15	2	124160-01910	PLUG PT1/4	1							
25	2	129001-02931	MAIN BEARING SET	5							3
28	2	129150-02931	METAL, THRUST	2							
31	1	129150-01200	STUD, CYL. HEAD	18							
32	1	129407-01340	GASKET,CYL.HEAD	1							
33	1	129004-01190	SPACER	1							
34	1	129150-02871	MAIN METAL US=0.25	5							1
37	1	129150-02941	METAL,THRUST.25(2PIE	1							2

Remarks

- (1) UNDER-SIZE(U.S=0.25)PART.
- (2) OVER-SIZE(O.S=0.25)PART.
- (3) REPAIR PART.

Fig.4.CYLINDER HEAD & BONNET

(A)=4TNV88-GMG

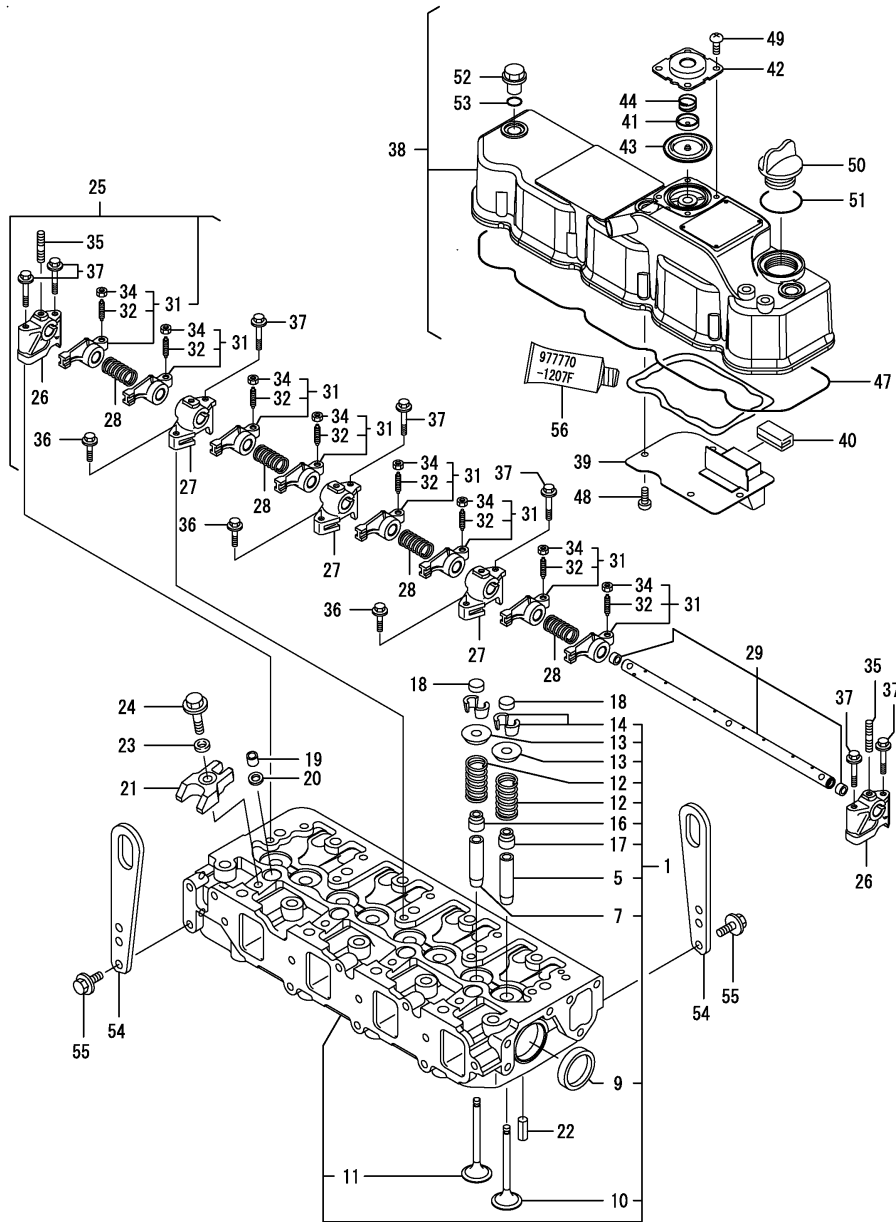
(B)=

(C)=

(D)=

(E)=

(F)=



REF.	LEV.	PARTS NO.	DESCRIPTION	QTY						I	R
				(A)	(B)	(C)	(D)	(E)	(F)		
1	1	129601-11700	HED ASSY, CYLINDER	1							
5	2	120130-11860	GUIDE, VALVE	4							1
7	2	129150-11810	GUIDE, VALVE	4							1
9	2	27241-400000	PLUG 40	2							
10	2	129004-11130	VALVE, INTAKE	4							
11	2	129100-11112	VALVE, EXHAUST	4							
12	2	129795-11120	SPRING, VALVE	8							
13	2	129795-11180	RETAINER, SPRING	8							
14	2	27310-080001	COTTER 8	8							
16	2	121400-11340	SEAL, VALVE STEM	4							
17	2	124460-11340	SEAL, VALVE STEM	4							
18	1	129150-11370	CAP, VALVE	8							
19	1	119802-11870	PROTECTOR, NOZZLE	4							
20	1	119625-11880	SEAT, NOZZLE	4							
21	1	129004-11900	RETAINER, NOZZLE	4							
22	1	22351-060012	SPRING PIN 6X12	2							
23	1	120270-54410	WASHER	4							
24	1	26106-080352	BOLT M 8X 35 PLATED	4							
25	1	129601-11241	SHAFT ASSY, ROCKER	1							
26	2	119802-11260	SUPPORT, ROCKER ARM	2							
27	2	119802-11270	SUPPORT, ROCKER ARM	3							
28	2	129150-11280	SPRING	4							
29	2	129601-11251	SHAFT	1							
31	2	129004-11650	ARM ASSY, ROCKER	8							
32	3	129150-11230	SCREW, VALVE	8							
34	3	129150-11750	NUT M8XP1.0	8							
35	2	26226-080182	STUD M 8X 18 PLATED	3							
36	1	26106-080252	BOLT M 8X 25 PLATED	3							
37	1	26106-080502	BOLT M 8X 50 PLATED	7							
38	1	129601-11350	BONNET ASSY	1							
39	2	129004-03010	PLATE, BAFFLE	1							
40	2	129150-03070	BAFFLE, BREATHER	1							
41	2	119802-03110	PLATE, DIAPHRAGM	1							
42	2	119802-03121	COVER, DIAPHRAGM	1							
43	2	119802-03130	DIAPHRAGM	1							
44	2	119802-03141	SPRING, DIAPHRAGM	1							
47	2	129601-11310	GASKET,COVER	1							
48	2	22857-500100	SCREW 5X10,TAPPING	4							
49	2	22857-500100	SCREW 5X10,TAPPING	4							
50	1	124160-01751	COVER,FILLER	1							
51	1	24311-000320	O-RING 1A P-32.0	1							
52	1	124160-11360	KNOB	3							
53	1	24311-000120	O-RING 1A P 12.0	3							
54	1	129900-07900	LIFTER, ENGINE	2							
55	1	26106-080162	BOLT M 8X 16 PLATED	4							
56	1	97770-1207F	GASKET.LIQUID	1							2

Remarks
 (1) REPAIR PART.
 (2) OPTIONAL PART.

Fig.6.EXHAUST MANIFOLD

Y00W1440 6.EXHAUST MANIFOLD

(A)=4TNV88-GMG

(B)=

(C)=

(D)=

(E)=

(F)=

REF.	LEV.	PARTS NO.	DESCRIPTION	Q'TY						I	R
				(A)	(B)	(C)	(D)	(E)	(F)		
1	1	129601-13109	MANIFOLD, EXHAUST	1							
2	1	129550-13110	GASKET, EXH.MANIFOLD	1							
3	1	123900-13610	STUD BOLT M 8X 80	2							
4	1	123900-13630	BOLT 8X80	6							
5	1	119131-18320	BOLT M 8X 22	4							
6	1	26306-080002	NUT	2							
7	1	129930-13201	GASKET, SILENCER	1							

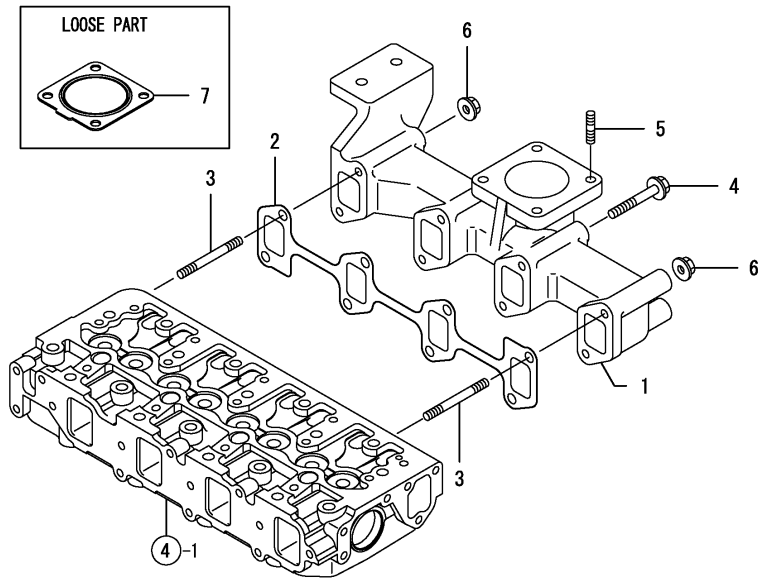


Fig.3.FLYWHEEL HOUSING & OIL SUMP

(A)=4TNV88-GMG

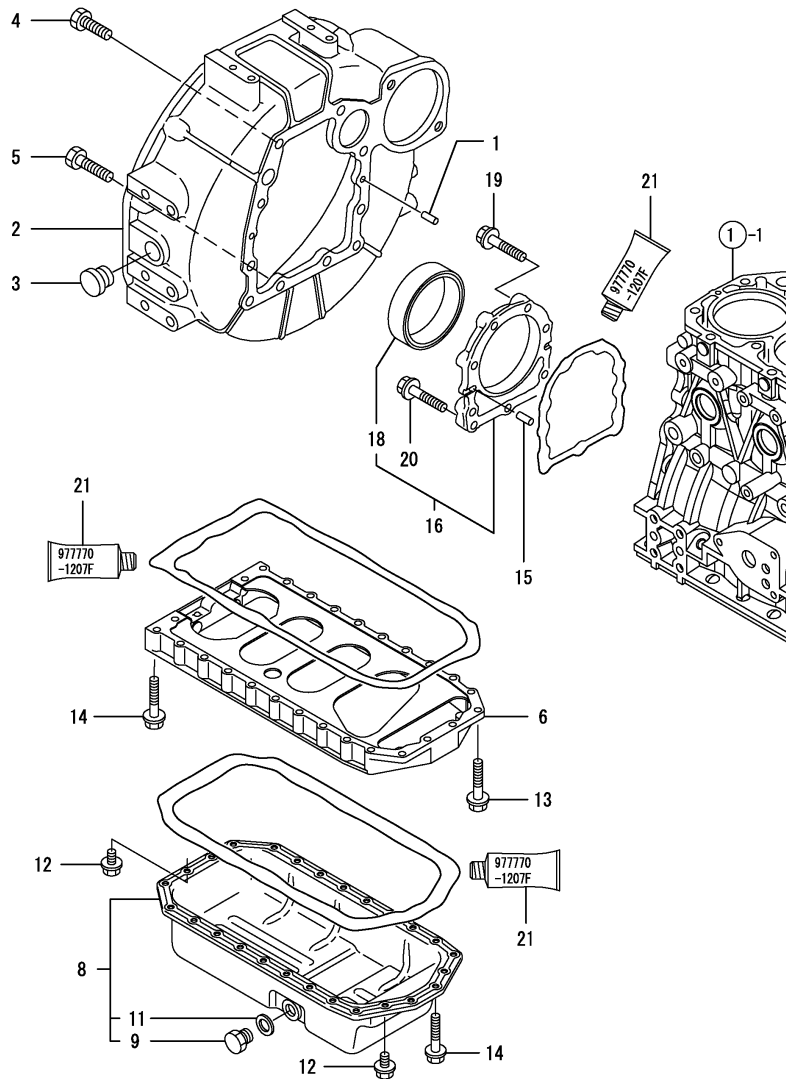
(B)=

(C)=

(D)=

(E)=

(F)=



REF.	LEV.	PARTS NO.	DESCRIPTION	Q'TY						I	R
				(A)	(B)	(C)	(D)	(E)	(F)		
1	1	129100-01580	PARALLEL PIN 8X16	2							
2	1	171420-01600	HOUSING, FLYWHEEL	1							
3	1	171420-01750	CAP, FLYWHEEL COVER	1							
4	1	26206-100252	BOLT M10X25	6							
5	1	26206-100302	BOLT M10X30	4							
6	1	129400-01730	SPACER, OIL SUMP	1							
8	1	129400-01770	SUMP ASSY, LUB. OIL	1							
9	2	119640-01640	DRAIN PLUG M22	1							
11	2	22190-220002	SEAL WASHER 22S	1							
12	1	26106-080162	BOLT M 8X 16 PLATED	4							
13	1	26106-080252	BOLT M 8X 25 PLATED	2							
14	1	26106-080452	BOLT M 8X 45 PLATED	24							
15	1	129100-01580	PARALLEL PIN 8X16	2							
16	1	129100-01640	CASE ASSY, OIL SEAL	1							
18	2	129795-01780	SEAL, OIL	1							
19	1	129486-01670	BOLT M8X30,COLLAR HD	6							
20	1	26106-080352	BOLT M 8X 35 PLATED	3							
21	1	977770-1207F	GASKET.LIQUID	1							1

Remarks
(1) OPTIONAL PART.

Fig.11.FUEL INJECTION PUMP

(A)=4TNV88-GMG

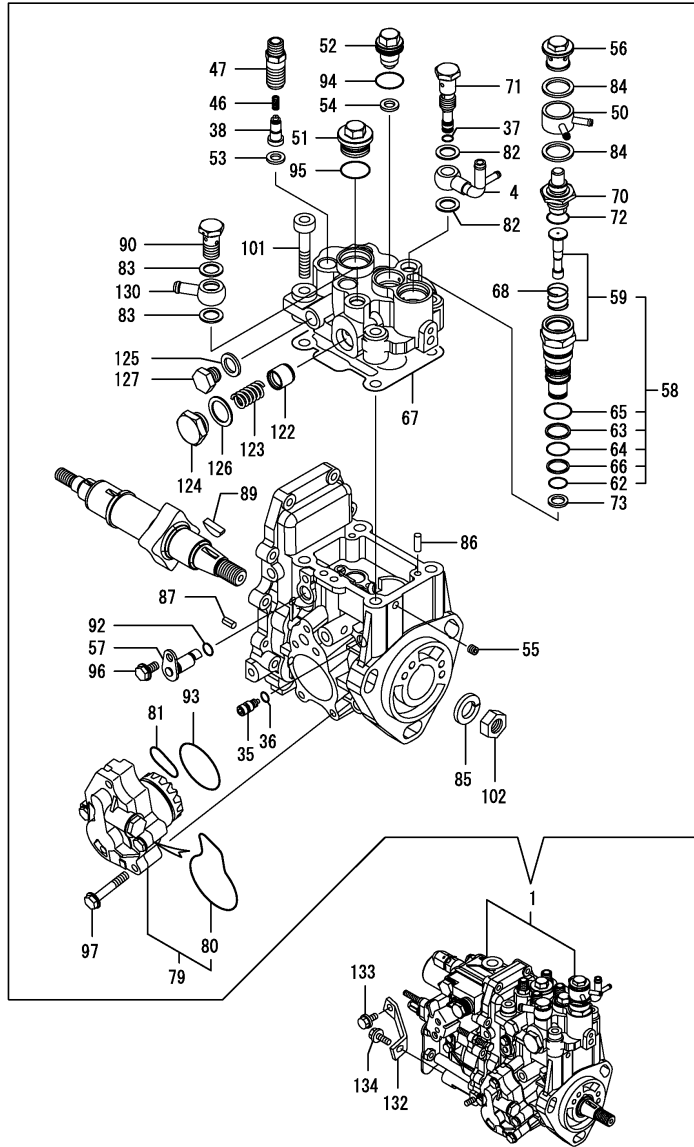
(B)=

(C)=

(D)=

(E)=

(F)=



REF.	LEV.	PARTS NO.	DESCRIPTION	QTY						I	R
				(A)	(B)	(C)	(D)	(E)	(F)		
1	1	729647-51390	INJECTION PUMP ASSY	1							1
4	2	158552-51670	JOINT	1							
35	2	158600-51270	STOPPER	1							
36	2	158563-51281	O-RING	1							
37	2	158563-51281	O-RING	1							
38	2	158560-51300	VALVE ASSY, DILEVERY	4							
46	2	158563-51330	SPRING	4							
47	2	158601-51340	HOLDER, DELIVERY	4							
50	2	158553-51551	JOINT, COOLING WATER	1							
51	2	158601-51550	PLUG	1							
52	2	119802-51560	BARREL PLUG	1							
53	2	158552-51570	PK(BARREL PLUG	4							
54	2	158552-51570	PK(BARREL PLUG	1							
55	2	158557-51570	PLUG	1							
56	2	158601-51570	PLUG,WATER PUMP	1							
57	2	158552-51580	LIFTER	1							
58	2	119802-51590	TIMER SET	1							
59	3	119802-51600	TIMER CMP	1							
62	3	158553-51670	O-RING, 1011	1							
63	3	119802-51680	BACKUP RING	1							
64	3	119802-51690	O RING	1							
65	3	24356-010200	PACKING, 1020	1							
66	3	24372-000150	RING, BACKUP T2 P 15	1							
67	2	158552-51600	PACKING, HEAD	1							
68	2	158553-51630	SPRING,TIMER	1							
70	2	158553-51640	ELEMENT, THERMO	1							
71	2	158601-51650	JOINT	1							
72	2	158553-51660	O-RING,P14	1							
73	2	158553-51680	PACKING,TIMER	1							
79	2	158552-52100	PUMP ASSY,FEED	1							
80	3	158552-52500	O-RING(FEED P INNER	1							
81	2	158552-52310	O-RING	1							
82	2	22190-120002	SEAL WASHER 12	2							
83	2	22190-120002	SEAL WASHER 12	2							
84	2	22190-180002	SEAL WASHER 18	2							
85	2	22217-140000	SPRING WASHER 14	1							
86	2	22312-050140	PARALLEL PIN 5X14	2							
87	2	22351-050010	SPRING PIN 5X10	2							
89	2	119802-51090	KEY,WOODRUFF 4X16	1							
90	2	23857-060000	JOINT BOLT 6,PIPE	1							
92	2	24311-000070	O-RING 1A P-7.0	1							
93	2	158552-52400	O-RING 4E S42	1							
94	2	24356-010180	O-RING	1							
95	2	24356-010200	PACKING, 1020	1							
96	2	26106-060102	BOLT 6X 10 PLATED	1							
97	2	158553-51770	BOLT	4							
101	2	26450-080452	BOLT M 8X 45	4							
102	2	26776-140002	LOCK NUT M14 PLATED	1							
122	2	158601-51770	PISTON	1							
123	2	158552-51781	DAMPER ASSY	1							
124	2	158601-51790	PLUG	1							
125	2	22190-120002	SEAL WASHER 12	1							
126	2	22190-180002	SEAL WASHER 18	1							
127	2	23887-120002	PLUG M12,HEX.	1							

++ CONTINUE ++

Remarks

(1) GOVERNOR ASSY(FIG.12) IS INCORPORATED IN THIS FOP.CMP (REF.NO.1).

Fig.11.FUEL INJECTION PUMP

(A)=4TNV88-GMG

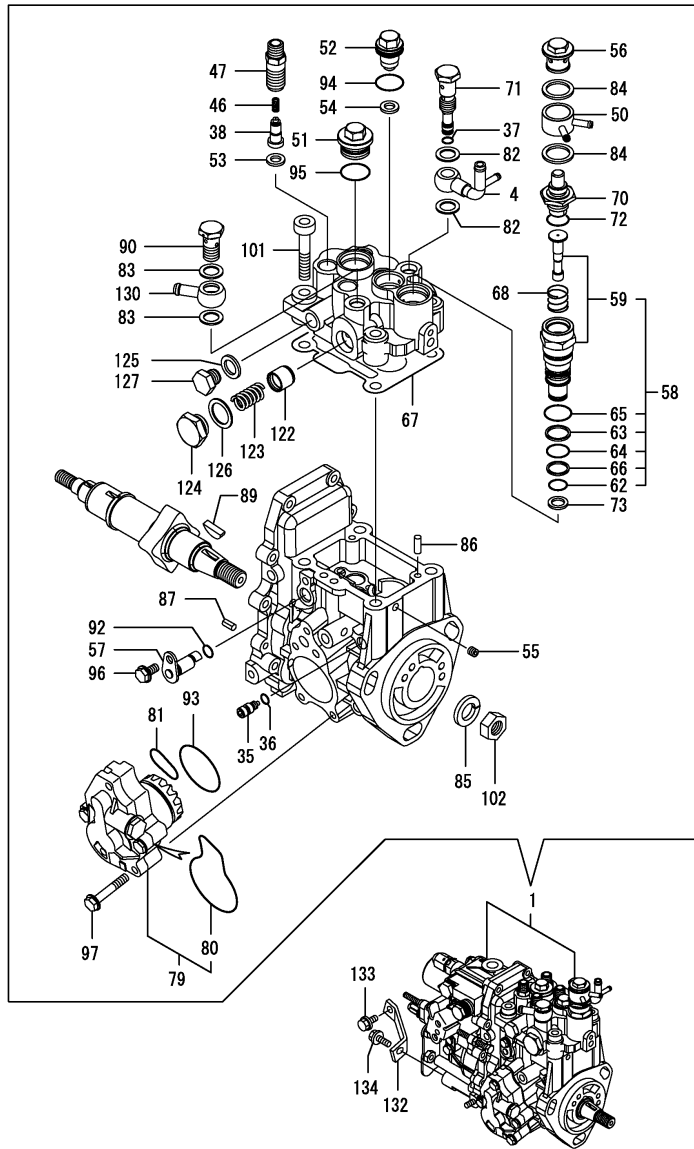
(B)=

(C)=

(D)=

(E)=

(F)=



REF.	LEV.	PARTS NO.	DESCRIPTION	Q'TY						I	R
				(A)	(B)	(C)	(D)	(E)	(F)		
130	2	129916-59020	JOINT 12, PIPE	1							
132	1	129601-51250	SUPPORT,FIP	1							
133	1	26106-080162	BOLT M 8X 16 PLATED	1							
134	1	26106-080202	BOLT M 8X 20 PLATED	1							

COMPONENTI POMPA NON FORNIBILI, SOLO POMPA COMPLETA E RACCORDI DI INGRESSO

Remarks

(1) GOVERNOR ASSY(FIG.12) IS INCORPORATED IN THIS FOP.CMP (REF.NO.1).

Fig.13.FUEL INJECTION VALVE

(A)=4TNV88-GMG

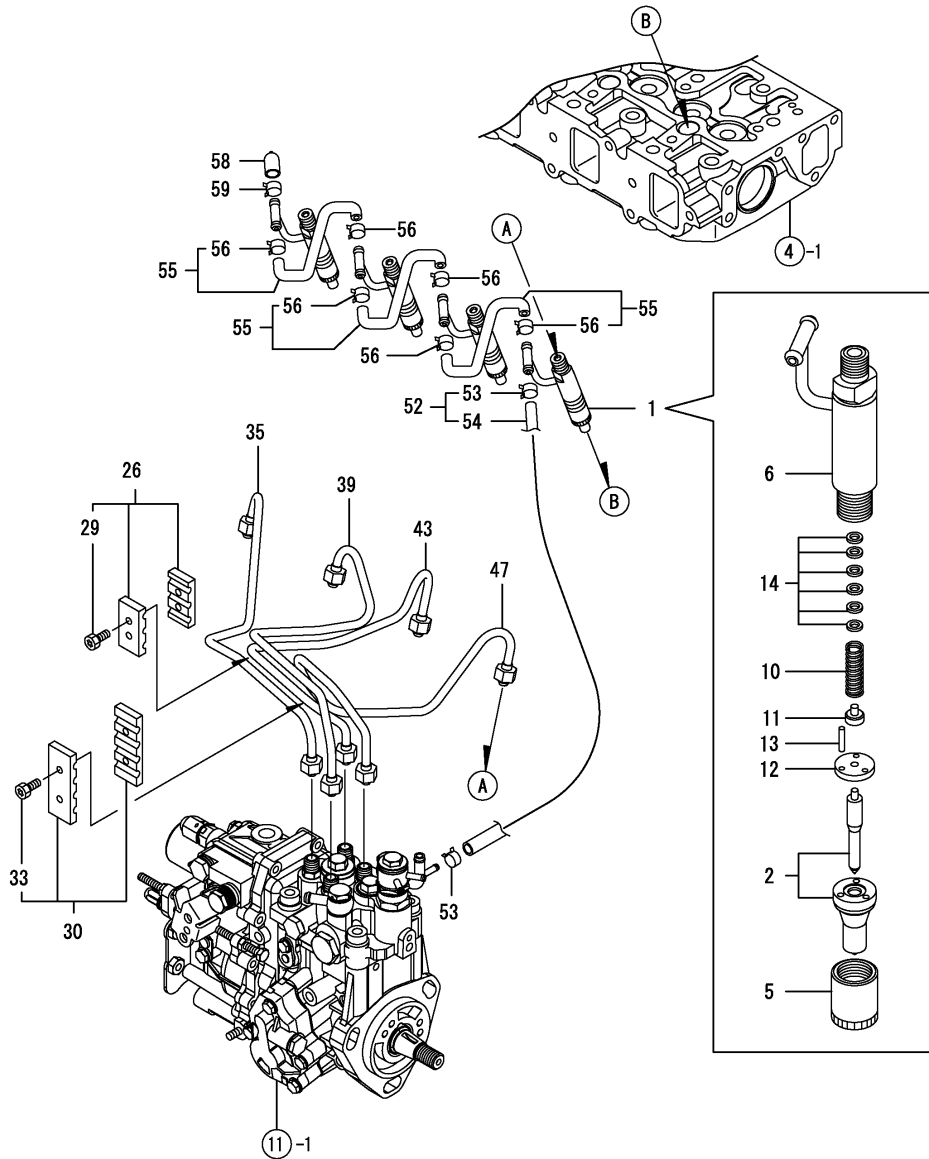
(B)=

(C)=

(D)=

(E)=

(F)=



REF.	LEV.	PARTS NO.	DESCRIPTION	QTY						I	R
				(A)	(B)	(C)	(D)	(E)	(F)		
1	1	729246-53101	VALVE ASSY, F.INJECT	4							
2	2	129246-53001	NOZZLE CMP	4							
5	2	114250-53080	NUT, NOZZLE CASE	4							
6	2	119802-53100	HOLDER ASSY, NOZZLE	4							
10	2	114250-53120	SPRING, NOZZLE	4							
11	2	114250-53130	SEAT, NOZZLE SPRING	4							
12	2	114250-53140	PLATE, STOP	4							
13	2	114250-53210	PIN	8							
14	2	114250-53400	SHIM PACK	4							
26	1	129150-59120	RETAINER, INJ. PIPE	1							
29	2	129150-59131	BOLT M4X14,HEX.SCKT.	2							
30	1	129550-59120	RETAINER	1							
33	2	129150-59131	BOLT M4X14,HEX.SCKT.	2							
35	1	129601-59810	PIPE ASSY, INJECTION	1							
39	1	129601-59820	PIPE ASSY, INJECTION	1							
43	1	129601-59830	PIPE ASSY, INJECTION	1							
47	1	129601-59840	PIPE ASSY, INJECTION	1							
52	1	119802-59550	PIPE ASSY, RETURN	1							
53	2	124722-59050	CLAMP 9	2							
54	2	119802-59560	PIPE, FUEL RETURN	1							
55	1	129486-59551	PIPE, FUEL RETURN	3							
56	2	124722-59050	CLAMP 9	6							
58	1	119593-59581	CAP	1							
59	1	124060-77680	CLAMP 10	1							

Fig.14.FUEL LINE

(A)=4TNV88-GMG

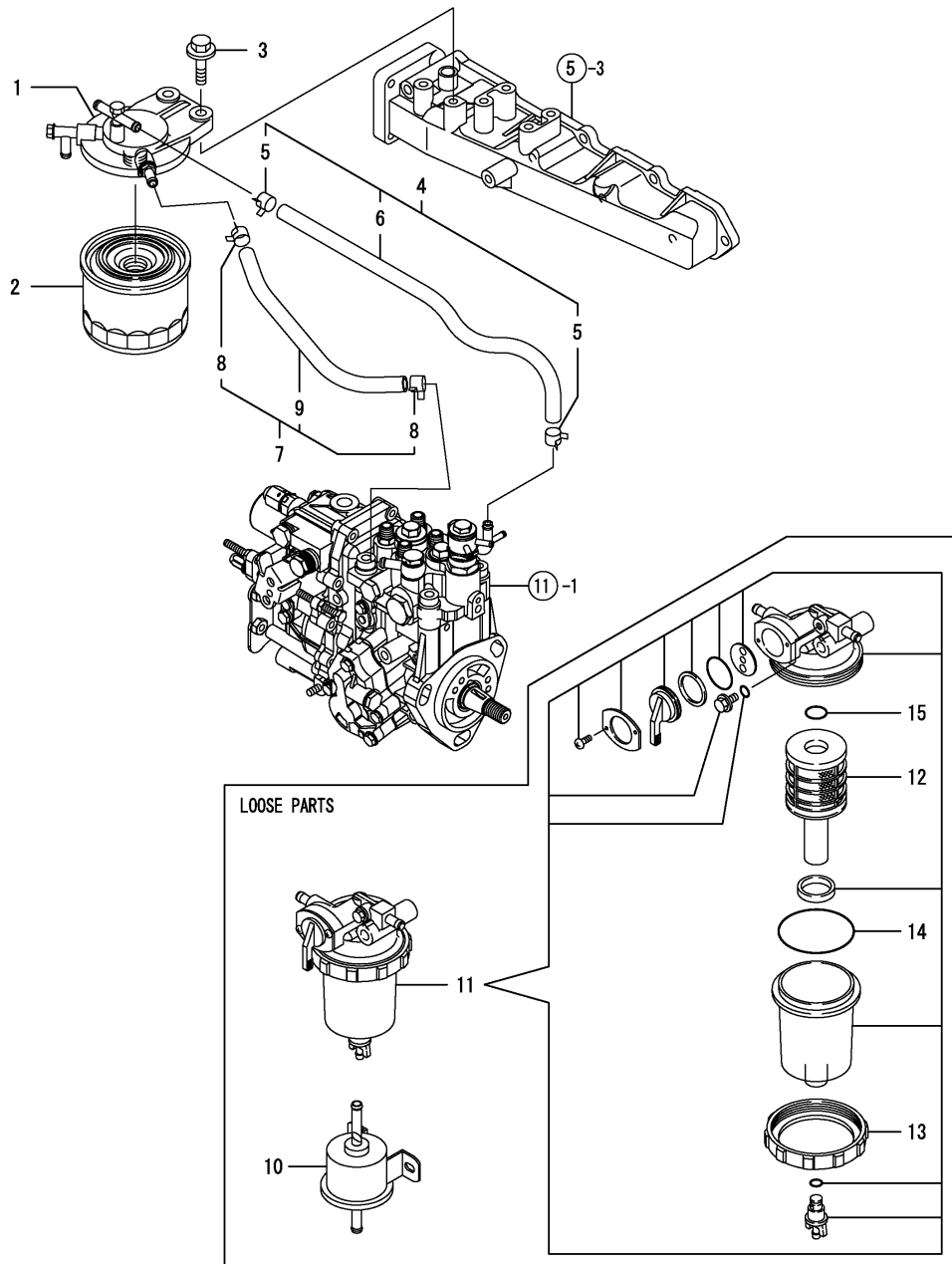
(B)=

(C)=

(D)=

(E)=

(F)=



REF.	LEV.	PARTS NO.	DESCRIPTION	QTY						I	R	
				(A)	(B)	(C)	(D)	(E)	(F)			
1	1	129004-55612	BRACKET,FUEL FILTER	1								
2	1	119802-55801	FILTER, FUEL	1								
3	1	26106-080302	BOLT M 8X 30 PLATED	2								
4	1	129210-59150	PIPE ASSY, FUEL OIL	1								
5	2	124766-59050	CLAMP 12	2								
6	2	105025-59530	PIPE,FUEL (D13XL400)	1								
7	1	129210-59090	PIPE ASSY, FUEL OIL	1								
8	2	124766-59050	CLAMP 12	2								
9	2	105325-59570	PIPE, FUEL OIL	1								
10	1	119225-52102	PUMP ASSY, FUEL FEED	1								
11	1	119802-55700	SEPARATOR ASSY	1								
12	2	119802-55710	ELEMENT	1								
13	2	129100-55690	RING, RETAINING	1								
14	2	24321-000650	O-RING 1A G-65.0	1								
15	2	24311-000160	O-RING 1A P-16.0	1								

Fig.17.GASKET SET

(A)=4TNV88-GMG

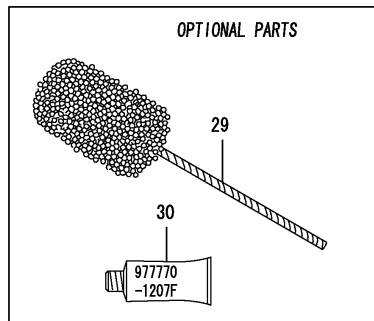
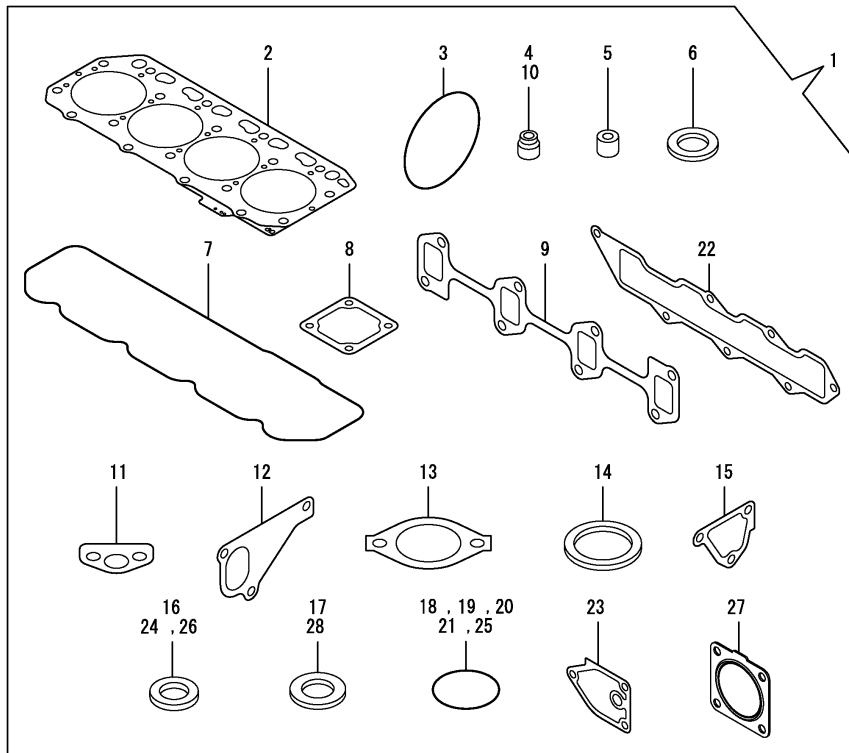
(B)=

(C)=

(D)=

(E)=

(F)=



REF.	LEV.	PARTS NO.	DESCRIPTION	QTY						I	R	
				(A)	(B)	(C)	(D)	(E)	(F)			
1	1	729150-92920	GASKET SET(NON-ASB.)	1								1
2	2	129407-01340	GASKET,CYL.HEAD	1								
3	2	121850-51960	O-RING, F.I.PUMP	1								
4	2	124460-11340	SEAL, VALVE STEM	4								
5	2	119802-11870	PROTECTOR, NOZZLE	4								
6	2	119625-11880	SEAT, NOZZLE	4								
7	2	129601-11310	GASKET,COVER	1								
8	2	129150-77511	GASKET, (NON-ASB.)	1								
9	2	129550-13110	GASKET, EXH.MANIFOLD	1								
10	2	121400-11340	SEAL, VALVE STEM	4								
11	2	129150-35042	GASKET, (NON-ASB.)	1								
12	2	129486-42021	GASKET	1								
13	2	129795-49551	GASKET, (NON-ASB.)	1								
14	2	129150-49811	GASKET, (NON-ASB.)	1								
15	2	124395-49840	GASKET, THERMO. CASE	1								
16	2	22190-080002	SEAL WASHER 8S	2								
17	2	124465-44950	GASKET 16	2								
18	2	24311-000120	O-RING 1A P 12.0	3								
19	2	24311-000320	O-RING 1A P-32.0	2								
20	2	24341-000240	O-RING 1A S-24.0	1								
21	2	129486-42140	O-RING,CW-P	1								
22	2	129407-12110	GASKET,INT.MANOFOLD	1								
23	2	129150-35111	GASKET, (NON-ASB.)	1								
24	2	22190-220002	SEAL WASHER 22S	1								
25	2	119609-32040	O-RING P16	4								
26	2	22190-100002	SEAL WASHER 10S	2								
27	2	129930-13201	GASKET, SILENCER	1								
28	2	23414-080000	GASKET 8, ROUND	1								
29	1	129400-92430	HORN, FLEX	1								1
30	1	977770-1207F	GASKET.LIQUID	1								1

Remarks
(1) OPTIONAL PARTS.

Fig.2.GEAR HOUSING

Y00W1440 2.GEAR HOUSING

(A)=4TNV88-GMG

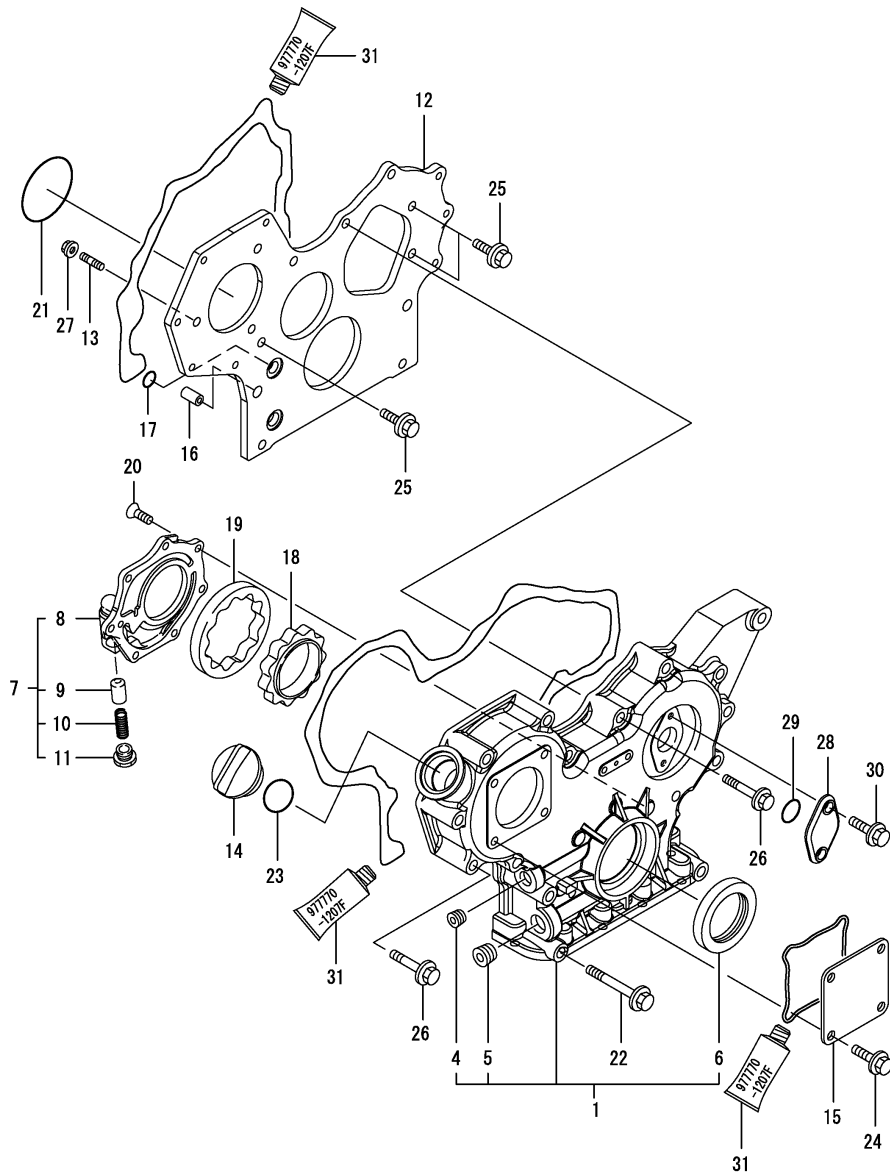
(B)=

(C)=

(D)=

(E)=

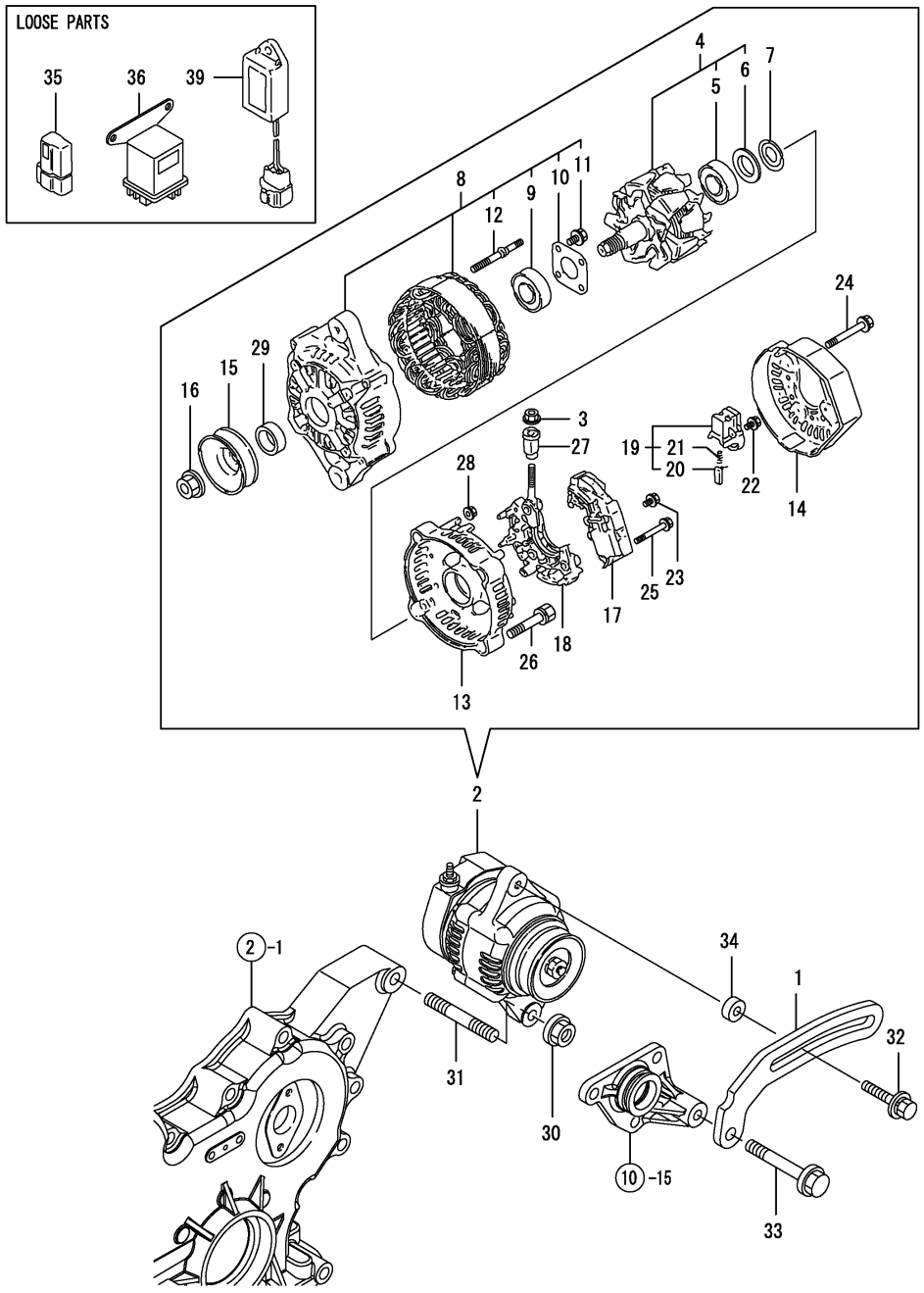
(F)=



REF.	LEV.	PARTS NO.	DESCRIPTION	QTY						I	R	
				(A)	(B)	(C)	(D)	(E)	(F)			
1	1	719802-01500	HOUSING ASSY, GEAR	1								
4	2	23876-030000	PLUG PT3/8,SCREW	1								
5	2	23876-040000	PLUG PT 1/2	1								
6	2	129795-01800	SEAL, OIL	1								
7	1	119802-32100	COVER ASSY, PUMP	1								
8	2	119802-32070	COVER, LUB.OIL PUMP	1								
9	2	129900-32130	VALVE, RELIEF	1								
10	2	129418-32320	SPRING	1								
11	2	129001-32330	PLUG	1								
12	1	119802-01520	FRANGE, GEAR CASE	1								
13	1	119802-01561	STUD, M8X25	3								
14	1	124160-01751	COVER,FILLER	1								
15	1	124240-01871	COVER, HO-P	1								
16	1	129795-01950	PIPE, KNOCK L=18	2								
17	1	119609-32040	O-RING P16	4								
18	1	119802-32111	ROTOR, INNER	1								
19	1	119802-32120	ROTOR, OUTER	1								
20	1	119802-32130	SCREW, M6X16	7								
21	1	121850-51960	O-RING, F.I.PUMP	1								
22	1	129001-91841	BOLT M 8X 85 PLATED	3								
23	1	24311-000320	O-RING 1A P-32.0	1								
24	1	26106-080162	BOLT M 8X 16 PLATED	4								
25	1	26106-080162	BOLT M 8X 16 PLATED	3								
26	1	26106-080552	BOLT M 8X 55 PLATED	12								
27	1	26306-080002	NUT	3								
28	1	121023-01551	COVER, BLIND	1								
29	1	24341-000240	O-RING 1A S-24.0	1								
30	1	26106-060162	BOLT M 6X 16 PLATED	2								
31	1	977770-1207F	GASKET.LIQUID	1								1

Remarks
(1) OPTIONAL PART.

Fig.16.GENERATOR



(A)=4TNV88-GMG

(B)=

(C)=

(D)=

(E)=

(F)=

REF.	LEV.	PARTS NO.	DESCRIPTION	QTY						I	R
				(A)	(B)	(C)	(D)	(E)	(F)		
1	1	119940-77330	ADJUSTER, BELT	1							
2	1	129423-77200	GENERATOR	1							
3	2	X9490561001	NUT	1							
4	2	119620-77380	ROTOR ASSY	1							
5	3	123501-79240	BEARING, BALL	1							
6	3	119620-79250	COVER, BEARING	1							
7	2	119620-79360	THRUST WASHER	1							
8	2	119620-77421	FLAME ASSY, DRIVE	1							
9	3	119620-79200	BALL BEARING	1							
10	3	119620-79210	PLATE	1							
11	3	119620-79220	SCREW	4							
12	3	119620-79230	BOLT, STUD	2							
13	2	119620-77440	FLAME ASSY, REAR	1							
14	2	129423-77450	COVER	1							
15	2	119620-77461	PULLEY	1							
16	2	119620-77471	NUT	1							
17	2	129423-77710	REGULATOR ASSY	1							
18	2	119620-79260	HOLDER	1							
19	2	129052-79270	HOLDER, BRUSH	1							
20	3	119620-77480	BRUSH ASSY	2							
21	3	119620-79280	SPRING	2							
22	2	119620-79290	SCREW	6							
23	2	119620-79300	SCREW	1							
24	2	119620-79310	BOLT	3							
25	2	119620-79320	SCREW W/WASHER	2							
26	2	119620-79330	BOLT	2							
27	2	119620-79340	INSULATION BUSH	1							
28	2	119620-79350	NUT	2							
29	2	119620-77490	COLLAR	1							
30	1	26306-100002	NUT	1							
31	1	129795-01900	STUD	1							
32	1	129972-77341	BOLT, ADJUSTING	1							
33	1	26106-080452	BOLT M 8X 45 PLATED	1							
34	1	119940-77270	ADJUSTER, BELT	1							
35	1	119643-66900	DIODE	1							
36	1	119650-77910	RELAY, GROW	1							
39	1	129211-77920	TIMER	1							

Fig.12.GOVERNOR

(A)=4TNV88-GMG

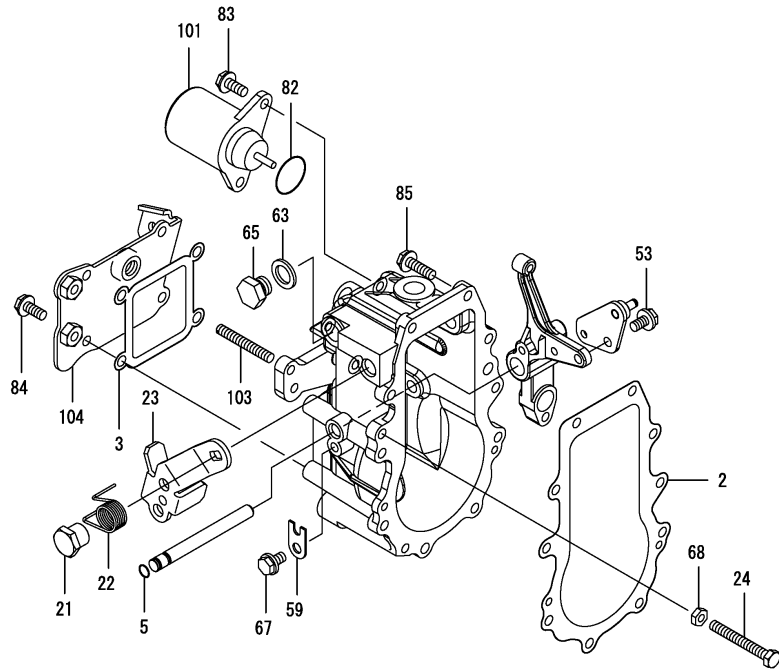
(B)=

(C)=

(D)=

(E)=

(F)=



REF.	LEV.	PARTS NO.	DESCRIPTION	QTY						I	R
				(A)	(B)	(C)	(D)	(E)	(F)		
2	2	158553-61050	PACKING, CASE	1							
3	2	158553-61070	PACKING	1							
5	2	129155-51280	O-RING S6	1							
21	2	129255-61410	NUT	1							
22	2	119807-61420	SPRING	1							
23	2	129246-61441	LEVER, REGULATOR	1							
24	2	129155-61460	BOLT, IDLE LIMIT	1							
53	2	26106-060102	BOLT 6X 10 PLATED	1							
59	2	119660-61901	RETAINER, SHAFT	1							
63	2	22190-120000	SEAL WASHER 12(BOLT)	1							
65	2	23887-120002	PLUG M12,HEX.	1							
67	2	26106-060102	BOLT 6X 10 PLATED	1							
68	2	26756-060002	LOCK NUT 6	1							
82	2	158552-61900	O-RING	1							
83	2	26106-060142	BOLT M 6X 14 PLATED	2							
84	2	26106-060142	BOLT M 6X 14 PLATED	4							
85	2	26106-060202	BOLT M 6X 20 PLATED	10							
101	2	119653-77950	SOLENOID, STOP	1							
103	2	171002-66830	SCREW, ADJUST	1							
104	2	129246-61061	COVER, CASE	1							

COMPONENTI REGOLATORE NON FORNIBILI, SOLO SOLENOIDE DI ARRESTO E' FORNIBILE

Remarks

* THIS FIGURE(GOVERNOR ASSY)IS INCORPORATED IN THE FUEL INJECTION PUMP ASSY(FIG.11).

Fig.9.LUB.OIL SYSTEM

(A)=4TNV88-GMG

(B)=

(C)=

(D)=

(E)=

(F)=

REF.	LEV.	PARTS NO.	DESCRIPTION	QTY						I	R
				(A)	(B)	(C)	(D)	(E)	(F)		
1	1	129004-34802	DIPSTICK, LUB.OIL	1							
2	1	121520-34810	GUIDE, DIPSTICK	1							
3	1	129150-35042	GASKET, (NON-ASB.)	1							
4	1	129436-35091	PIPE ASSY, LUB. OIL	1							
5	1	26106-080352	BOLT M 8X 35 PLATED	2							
6	1	114250-39450	SWITCH,(0.5KG)L.O.	1							
7	1	124160-39140	BOLT 10, PIPE JOINT	1							
8	1	119802-39450	PIPE ASSY, LUB. OIL	1							
9	1	129005-59830	BOLT ASSY, JOINT	1							
10	2	23857-030000	JOINT BOLT 3	1							
11	2	22190-080002	SEAL WASHER 8S	1							
12	1	22190-100002	SEAL WASHER 10S	2							
13	1	22190-080002	SEAL WASHER 8S	1							
14	1	26366-060002	NUT M 6	1							
15	1	119802-35100	BRACKET ASSY, FILTER	1							
16	2	119802-35110	BRACKET, FILTER	1							
17	2	129100-35140	STUD	1							
18	1	129150-35111	GASKET, (NON-ASB.)	1							
19	1	129150-35160	FILTER 80X80L	1							
20	1	26106-080202	BOLT M 8X 20 PLATED	3							

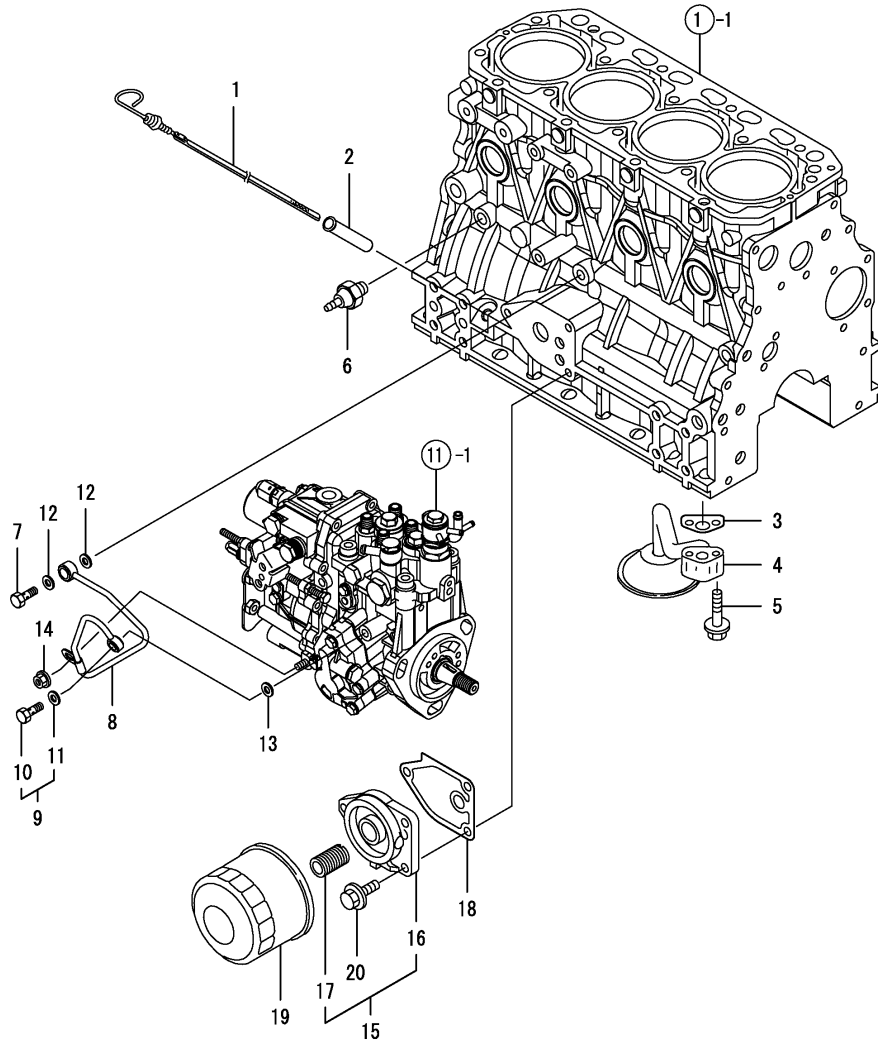
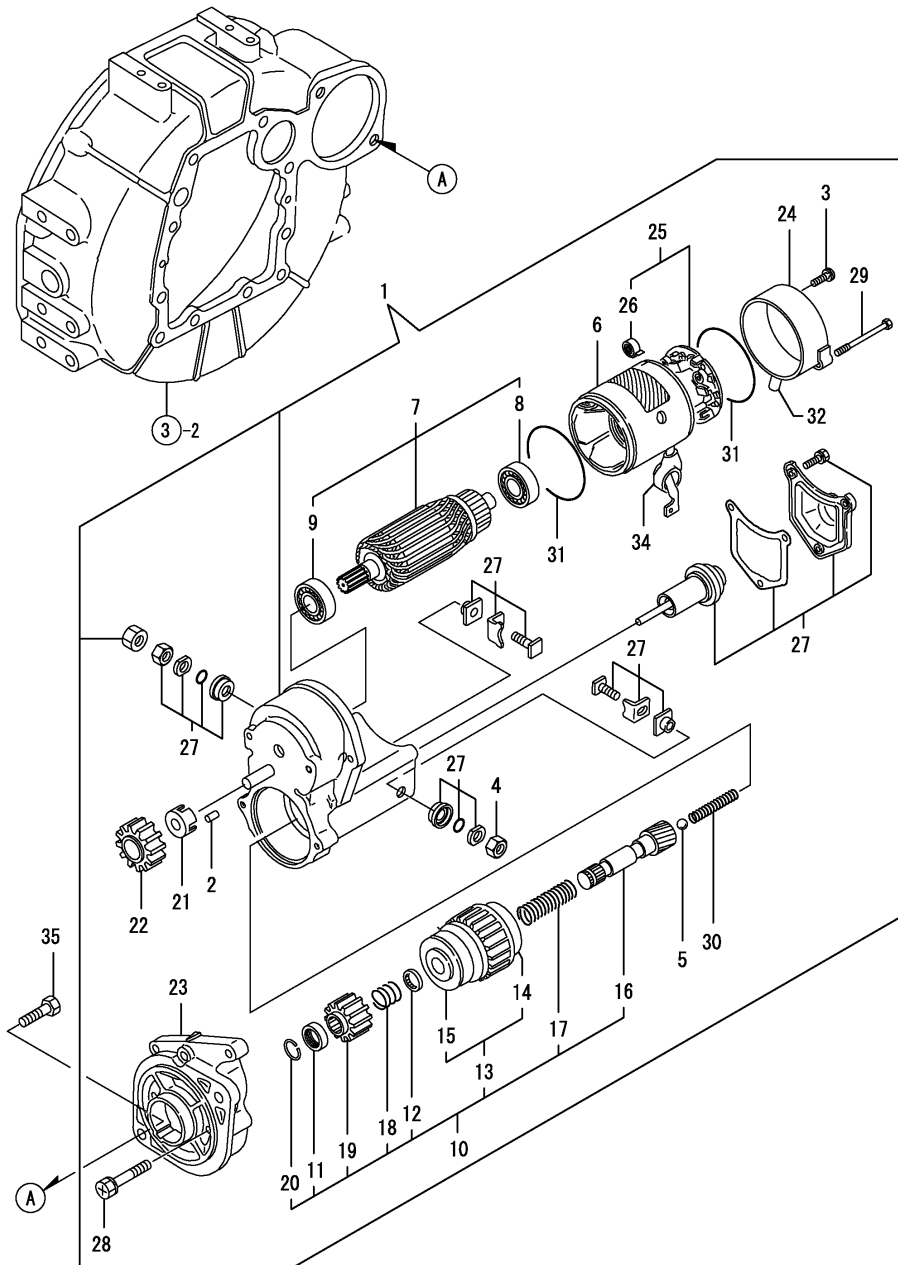


Fig.15.STARTING MOTOR



(A)=4TNV88-GMG

(B)=

(C)=

(D)=

(E)=

(F)=

REF.	LEV.	PARTS NO.	DESCRIPTION	QTY						I	R
				(A)	(B)	(C)	(D)	(E)	(F)		
1	1	129407-77010	STARTER ASSY	1							
2	2	X0283060061	ROLLER	5							
3	2	129129-77460	SCREW	2							
4	2	X9490561370	NUT	1							
5	2	X9491200240	BALL	1							
6	2	129407-77210	YOKE	1							
7	2	129407-77220	ARMATURE ASSY	1							
8	3	129129-77230	BEARING	1							
9	3	129129-77240	BEARING	1							
10	2	129407-77250	STARTER KIT	1							
11	3	X0280210230	NUT	1							
12	3	X0283270140	RETAINER	1							
13	3	129407-77390	CLUTCH,STARTER	1							
14	4	129129-77440	BEARING	1							
15	4	129129-77450	BEARING	1							
16	3	129129-77400	SHAFT	1							
17	3	129129-77410	SPRING, COIL	1							
18	3	129407-77410	SPRING	1							
19	3	129129-77420	PINION	1							
20	3	129129-77430	RING	1							
21	2	129129-77260	RETAINER	1							
22	2	129129-77270	PINION	1							
23	2	129407-77280	HOUSING	1							
24	2	129407-77290	FRAME	1							
25	2	129407-77300	HOLDER ASSY	1							
26	3	X9491730461	SPRING	4							
27	2	129407-77310	SWITCH ASSY	1							
28	2	129129-77320	BOLT	2							
29	2	129407-77330	BOLT,W/WASHER	2							
30	2	129129-77340	SPRING	1							
31	2	129129-77350	O-RING	2							
32	2	129129-77362	COVER	1							
34	2	129129-77380	CAP	1							
35	1	26116-120252	BOLT M12X 25 PLATED	2							

Fig.5.SUCTION MANIFOLD

Y00W1440 5.SUCTION MANIFOLD

(A)=4TNV88-GMG

(B)=

(C)=

(D)=

(E)=

(F)=

REF.	LEV.	PARTS NO.	DESCRIPTION	Q'TY						I	R
				(A)	(B)	(C)	(D)	(E)	(F)		
1	1	129601-03080	PIPE,BREATHER	1							
2	2	129410-03990	CLAMP 22	2							
3	1	129601-12100	MANIFOLD,INT	1							
5	1	129407-12110	GASKET,INT.MANOFOLD	1							
6	1	26106-080202	BOLT M 8X 20 PLATED	6							
7	1	26106-080802	BOLT M 8X 80 PLATED	1							
8	1	129120-77502	HEATER, AIR	1							
9	1	129150-77511	GASKET, (NON-ASB.)	1							
10	1	26106-080352	BOLT M 8X 35 PLATED	4							
11	1	129647-12600	BRACKET(AIR CLEANER	1							
12	1	129247-12500	CLEANER ASSY, AIR	1							
13	2	129004-12520	ELEMENT 5INCH	1							
14	2	129012-12530	BODY, AIR CLEANER	1							
15	2	119808-12540	VALVE, UNLOADER	1							
16	2	126650-12680	INDICATOR	1							

